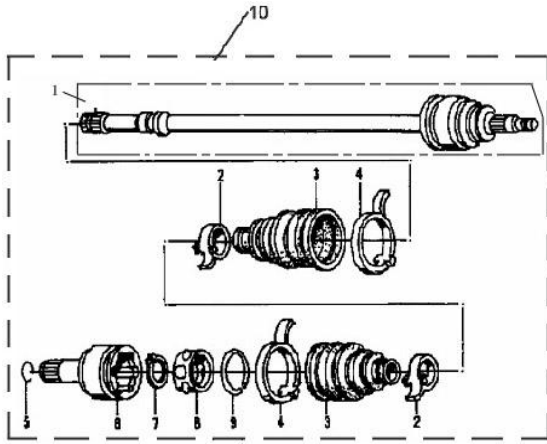


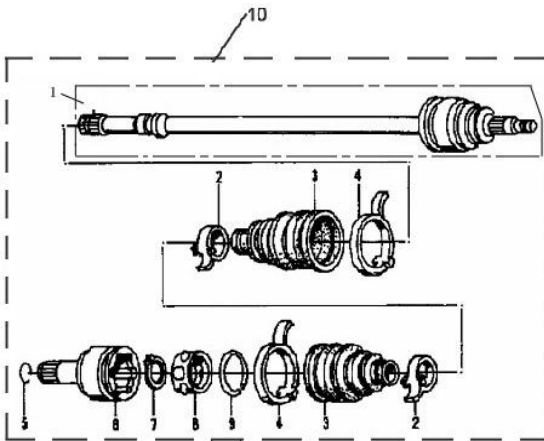
19 FRONT DRIVE AXLE (F1前球笼总成)



REF. No.	DESCRIPTION	Q'TY	图号	CODE
1	DRIVE AXLE/OUTER CV JOINT ASSEMBLY	2	LH520ATV.19-1	
		2	LH260ATV.6.5-2	
		12	LH260ATV.6.5-3	
		2	LH520ATV.19-2	
		2	LH260ATV.6.5-16	
		2	LH260ATV.6.5-15	70780
		2	LH260ATV.6.5-6	24402
		2	LH260ATV.6.5-5	24403
		2	LH260ATV.6.5-4	24404
		2	LH260ATV.6.5-14	70084
2	2	LH520ATV.19-3	71037	
2	2	GB/T894.1	24407	
2	2	LH260ATV.6.5-12		
2	2	LH260ATV.6.5-11		
2	12	LH260ATV.6.5-10	24411	
2	2	LH260ATV.6.5-9	24409	
10	FRONT DRIVE AXLE ASSY	1	LH520ATV.19	70357

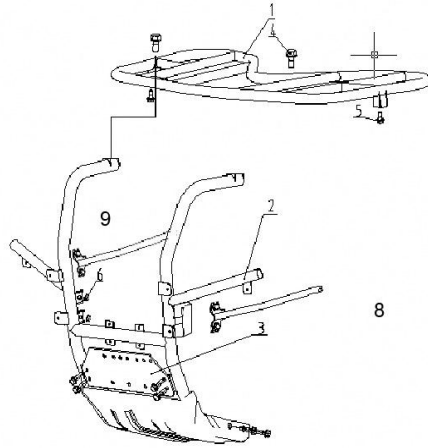
20 REAR DRIVE AXLE

后球笼总成



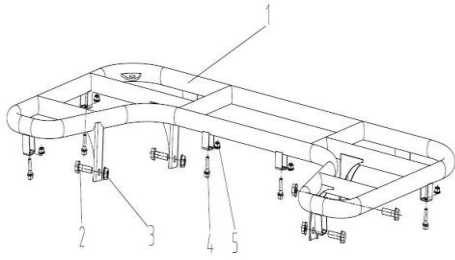
REF. No.	DESCRIPTION	Q'TY	图号	CODE
1	DRIVE AXLE/OUTER CV JOINT ASSEMBLY	2	LH520ATV.20-1	
		2	LH260ATV.6.5-2	
		12	LH260ATV.6.5-3	
		2	LH520ATV.20-2	
		2	LH260ATV.6.5-16	
		2	LH260ATV.6.5-15	70781
		2	LH260ATV.6.5-6	24402
		3	LH260ATV.6.5-5	24403
		4	LH260ATV.6.5-4	24404
		5	LH260ATV.6.5-14	70084
6	OUTER CV JOINT	1	LH520ATV.20-3	70360
7	CIRCLIP 20	1	GB/T894.1	24407
8	STEEL BALL BRACKET STEEL BALL AND GEAR WHEEL	2	LH260ATV.6.5-12	
		2	LH260ATV.6.5-11	
		12	LH260ATV.6.5-10	24411
9	STOPPER RING A	1	LH260ATV.6.5-9	24409
10	REAR DRIVE AXLE	1	LH520ATV.20	70359

21 FRONT BUMPER & RACK 前货架保险杠总成



REF. No.	DESCRIPTION	Q'TY	图号	CODE
1	CARRIER,FR (FOR EUROPE)	1	LH520ATV-B.21.1	70963
	CARRIER,FR (FOR USA)	1	LH520ATV-B.21.1a	71038
2	PIPE,FR.CARRY	1	LH520ATV-B.21.2	70964
3	TOW BRACKET	1	LH520ATV-B.21-1	70965
4	BOLT M8X20	4	GB/T5785	70029
5	BOLT M8X25	6	GB/T5785	70030
6	NUT M8	4	GB/T6187	10079
7	BOLT M6X35	2	GB/T5785	70031
8	STRENGTHEN BAR LEFT	1	LH520ATV-B.21.3	71039
9	STRENGTHEN BAR RIGHT	1	LH520ATV-B.21.4	71040

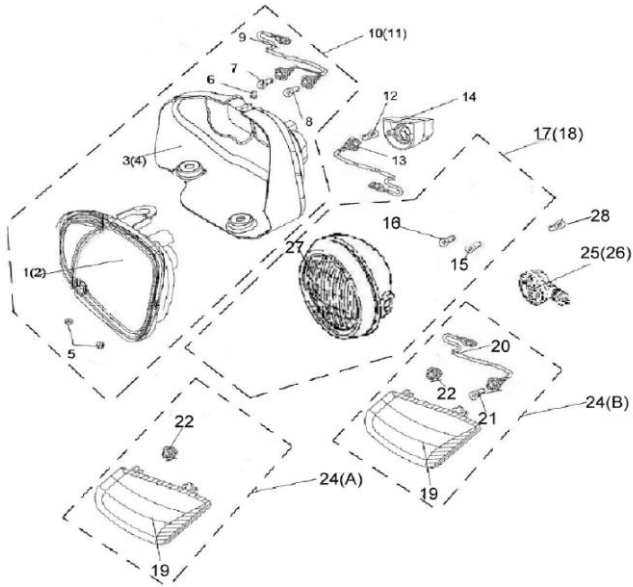
22 FRONT BUMPER & RACK 后货架总成



REF. No.	DESCRIPTION	QTY	图号	CODE
1	CARRIER,RR (FOR EUROPE)	1	LH520ATV.22.1	70376
	CARRIER,RR (FOR USA)	1	LH520ATV.22.1a	71041
2	BOLT M8X40	4	GB/T5785	70032
3	NUT M8	4	GB/T70	10276
4	BOLT M6X25	6	GB/T16674.1	10187
5	NUT M6	6	GB/T16674.1	10530

23.1 LAMP

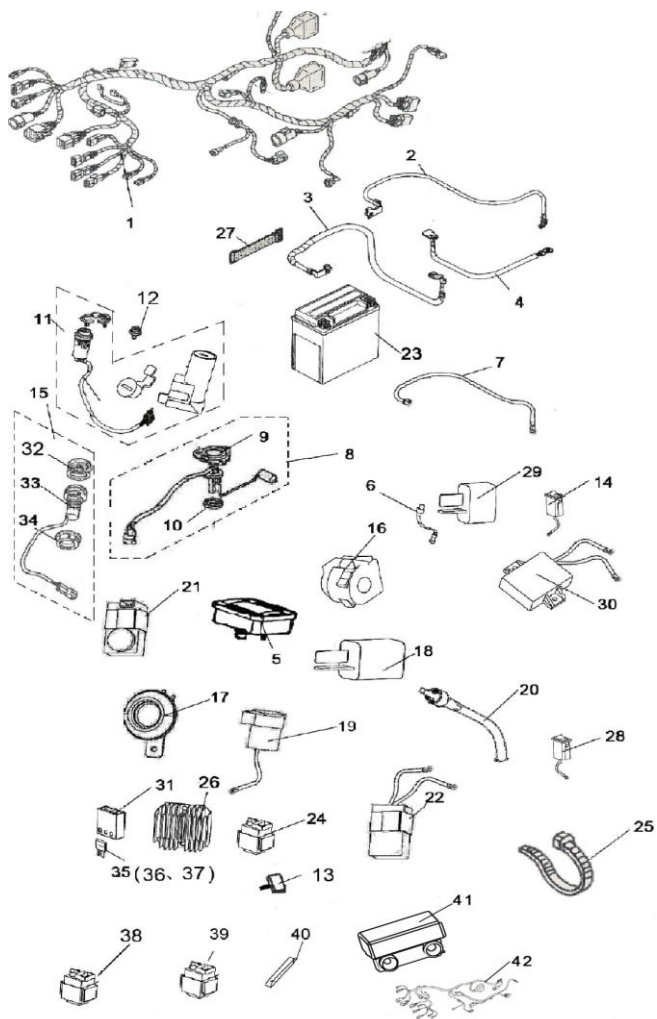
灯



22

REF. No.	DESCRIPTION	Q'TY	图号	CODE
1	LENS,L.TAILLIGHT(FOR EROPE)	1	LH520ATV.23.10-1	70393
	LENS,L.TAILLIGHT(FOR USA)		LH520ATV.23.10a-1	71042
2	LENS,R.TAILLIGHT(FOR EROPE)	1	LH520ATV.23.10-2	70394
	LENS,R.TAILLIGHT(FOR USA)		LH520ATV.23.10a-2	71043
3	COVER,L.TAILLIGHT	1	LH520ATV.23.10-3	70395
4	COVER,R.TAILLIGHT	1	LH520ATV.23.10-4	70396
5	RUBBER,TAILLIGHT MOUNTING	2	LH520ATV.23.10-5	70397
6	BOOT,HEADLIGHT BRACKET	2	LH520ATV.23.10-6	70398
7	BULB 12V 10W EUROPE)	2	12V 10W	32045
8	BULB 12V 21W/5W	2	12V 21W/5W	25058
9	SOCKET,TAILLIGHT	2	LH520ATV.23.10-9	70399
10	TAILLIGHT,L,ASSY	1	LH520ATV.23.9-10	70434
11	TAILLIGHT,R,ASSY	1	LH520ATV.23.9-11	70436
12	BULB 12V 5W	1	12V 5W	32046
13	SOCKET,LICENSE LIGHT	1	LH520ATV.23.22-2	70411
14	LENS,LICENSE LIGHT	1	LH520ATV.23.22.1	70410
15	BULB 12V 35W/35W HS	2	12V 35W/35W HS	22371
16	BULB 12V 5W	2	12V 5W	32046
17	HEADLIGHT UNIT,L	1	LH260ATV.19.4 (c)	32009F
18	HEADLIGHT UNIT,R	1	LH260ATV.19.4 (c)	32009F
19	LENS,UP-HEADLIGHT	1	LH520ATV.23.8.3	70429
20	SOCKET,UP-HEADLIGHT (ONLY FOR AMERICA)	1	LH520ATV.23.8.2	70428
21	BULB 12V 35W/35W S2 (ONLY FOR AMERICA)	1	12V 35W/35W S2	32047
22	POSITION LIGHT COVER	1	LH520ATV.23.8-2	70431
24	UP-HEADLIGHT UNIT (FOR EUROPE)	1	LH520ATV.23.8	70427
24	UP-HEADLIGHT UNIT (FOR AMERICA)	1	LH520ATV.23.8A	70432
25	TURN INDICATE LIGHT,L,FR	1	LH260ATV-B.23.3.1	25078
26	TURN INDICATE LIGHT,R,FR	1	LH260ATV-B.23.3.2	25079
27	HEADLIGHT ASSEMBLY (FOR 05 MODEL)	2	LH260ATV.19.4 (D)	70962
28	BULB, TURN INDICATE LIGHT 10W (YELLOW)	2	LH260ATV-B.23.3.2	25079

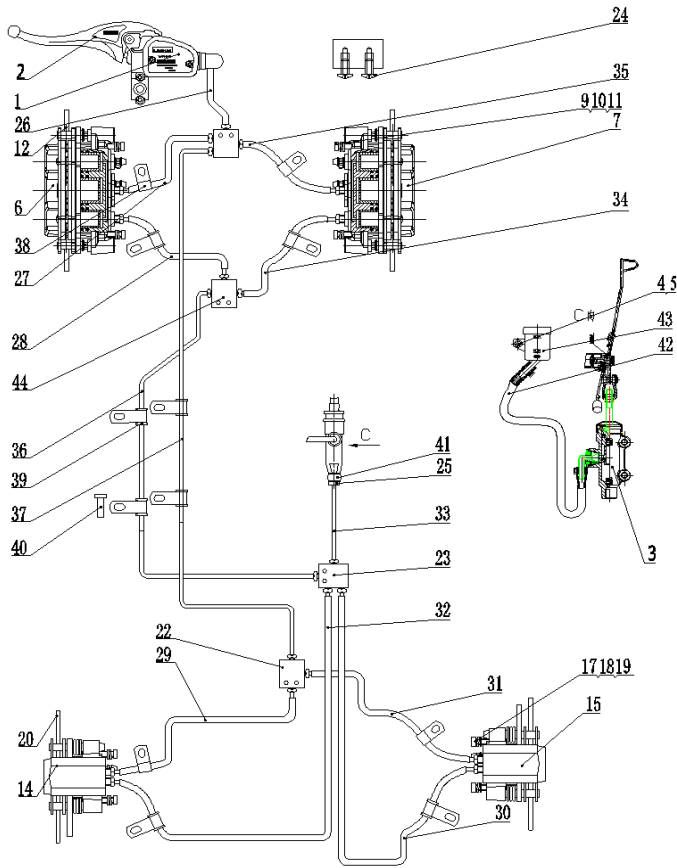
23.2 ELECTRICAL SYSTEM 电器



REF. No.	DESCRIPTION	Q'TY	图号	CODE
1	WIRING HARNESS (EFI FOR EUROPE)	1	LH520ATV.23E.1	70905
	WIRING HARNESS (EFI FOR USA)	1	LH520ATV.23E.1a	
2	STARTER WIRE1	1	LH520ATV.23.1.1	70389
3	STARTER WIRE2	1	LH520ATV.23E.1.2	70906
4	STARTER WIRE3	1	LH520ATV.23.1.3	70391
5	LCD METER (EFI FOR EUROPE)	1	LH520ATV.23E.2	70829
	LCD METER (EFI FOR USA)	1	LH520ATV.23E.2a	
6	SPEED SENSOR	1	LH260ATV.19.16B	32020B
7	SENSOR CABLE	1	LH520ATV.23.2.1	70409
8	FUEL SENSOR	1	LH520ATV.23E.3	70834
9	FUEL SENSOR FIXBOAD	1	LH520ATV.23.3.1	70419
10	FUEL SENSOR OIL-SEAL	1	LH520ATV.23.3.2	70420
11	LOCK ASSY	1	LH520ATV.23E.4	70907
12	KEY BLANK	1	LH520ATV.23E.4.4	70908
13	REAR REFLECTOR	2	LH150T.2.3	40319
	FRONT REFLECTOR	2	LH520ATV.23-2	71044
14	EMERGENCY SWITCH (FOR EUROPE)	1	LH520ATV.23.7	70425
15	ACCESSORY SOCKET ASSY	1	LH520ATV.23.12	70400
16	LEFT HANDLE SWITCH (FOR EUROPE)	1	LH260ATV.19.6(E)	30114E
	LEFT HANDLE SWITCH (FOR USA)	1	LH260ATV.19.7f	25007
17	HORN	1	LH520ATV.23.13	70404
18	CAPCITOR	1	LH260ATV.19.17	32021
19	FLASHER RELAY ASSY (FOR EUROPE)	1	LYM100T.12.12	32028
20	BRAKE SWITCH	1	LH520ATV.23.14	70405
21	REVERSE GEAR WARNING	1	LH260ATV.19.21	32038
22	REVERSE SPEED LIMITER	1	LH520ATV.23.16	70406
23	BATTERY (MTX19-BS)	1	LH520ATV.23E.17	70407A
24	STARTER RELAY	1	LH250T.7.3	22004
25	TIE	20	ZD150X3.5	25530

26	REGULATOR RECTIFIER	1	LH520ATV.23E.36	70837
27	BATTERY BELT	1	LH520ATV.23.24	70412
28	UP HEAD LIGHT SWITCH	1	LH520ATV.23.25	70413
29	PROTECTOR	1	LH250T-B.16.3	42411
30	SHIFT CONTROLLER	1	LHTY.1.8.2a	24447A
	SHIFT CONTROLLER(WATER PROOF PLUG WITH PROTECTIVE)	1	LHTY.1.8.2b	24447B
31	AMP FUSE BOX	1	LH520ATV.23.1.4	70392
32	CAP	1	LH520ATV.23.12.1	70401
33	ENCLOSURES	1	LH520ATV.23.12.2	70402
34	RETAINING NUT	1	LH520ATV.23.12.3	70403
35	7.5 AMP FUSE	1		27025
36	10 AMP FUSE	1		27026
37	15 AMP FUSE	1		27027
38	FAN RELAY	1	LH520ATV.23.34	70903
39	EFI RELAY	1	LH520ATV.23.35	70904
40	RELAY BOARD	2	LH520ATV.23-9	70831
41	ELECTRICAL DUMPAGE SWITCH	1	LH520ATV.23E.33	70968
42	EFI WIRE	1	LH520ATV.23E.32	70969

24.1 BRAKING SYSTEM (FOR EUROPE)

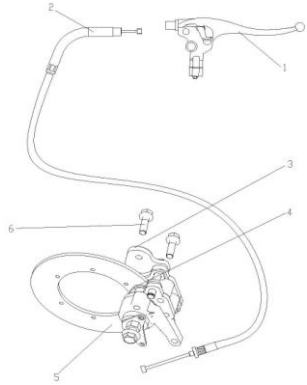


23.2

REF. No.	DESCRIPTION	Q'TY	图号	CODE
1	MASTER CYLINDER(SEE THE DETAIL ON P24.1(2))	1	LH520ATV.24.1	70451
2	BRKE LEVEL,L	1	LH520ATV.24-1	70545
3	REAR BRAKE CYLINDER(SEE THE DETAIL ON P24.1(4))	1	LH520ATV.24.2	70481
4	BOLT M5X25	1	GB/T5787	10395
5	NUT M5	1	GB/T6187	10109
6	BRAKE CALIPER,L.FR(SEE THE DETAIL ON P24.1(3))	1	LH520ATV.24.3a	70502
7	BRAKE CALIPER,R.FR(SEE THE DETAIL ON P24.1(1))	1	LH520ATV.24.4a	70505
9	BOLT M8X25	8	GB5782	10105
10	WASHER 8	8	GB/T97.1	10068
11	SPRING WASHER 8	8	GB/T93	10106
12	DISK BRAKE,FR	2	LH520ATV.24-6	70555
14	BRAKE CALIPER,L.RR(SEE THE DETAIL ON P24.1(5))	1	LH520ATV.24.6	70520
15	BRAKE CALIPER,R.RR(SEE THE DETAIL ON P24.1(6))	1	LH520ATV.24.7	70536
17	BOLT M8X25	8	GB5782	10105
18	WASHER 8	8	GB/T97.1	10068
19	SPRING WASHER 8	8	GB/T93	10106
20	DISK BRAKE,RR	2	LH520ATV.24.8	70537
22	THREE LINE COUPLER	1	LH520ATV.24-2	70546
23	FOUR LINE COUPLER	2	LH520ATV.24-3	70548
24	BOLT M5X15	8	GB/T818	10111
25	OIL BOLT	2	LH520ATV.24-4	70550
26	HOSE A	1	LH520ATV.24.10	70453
27	HOSE B	1	LH520ATV.24.11	70454
28	HOSE C	1	LH520ATV.24.12	70466

29	HOSE D	1	LH520ATV.24.13	70468
30	HOSE E	1	LH520ATV.24.14	70470
31	HOSE F	1	LH520ATV.24.15	70472
32	HOSE H	1	LH520ATV.24.17	70475
33	HOSE I	1	LH520ATV.24.18	70477
34	HOSE J	1	LH520ATV.24.19	70479
35	HOSE K	1	LH520ATV.24.20	70483
36	HOSE ,FRONT BRAKE		LH520ATV.24.22	70490
37	HOSE ,REAR BRAKE	1	LH520ATV.24.23	70492
38	CLAMP	12	LH260ATV.5.1.1	21811
39	RUBBER TUBE	12	LH260ATV.5.1a-3	32019
40	BOLT M6X20	12	GB/T16674.1	10110
41	WASHER,REAR BRAKE CYLINDER	4	LH520ATV.24-5	70553
42	RESERVOIR HOSE	1	LH520ATV.24.24	70494
43	RESERVOIR	1	LH520ATV.24.25	70496
44	<u>THREE LINE COUPLER</u>	1	<u>LH520ATV.24-4</u>	70551
45				

24.2 AUXILIARY BRAKE (FOR EUROPE)

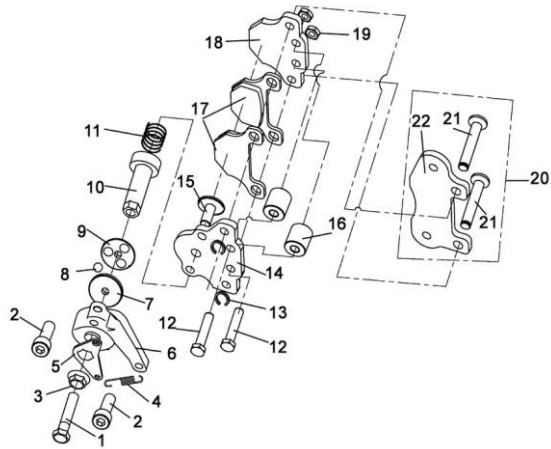


24.1

REF. No.	DESCRIPTION	Q'TY	图号	CODE
1	MASTER CYLINDER(WITH LEVER)	1	LH520ATV.27.1	70636
2	BRACK CABLE	1	LH520ATV.27.2	70637
	BRACK CALIPER(SEE THE DETAIL ON P24.2(1))		LH520ATV.27.3	
3		1		70638
4	DISK BRAKE	1	LH520ATV.27.3-1	70643
5	INSIDE AND OUTSIDE PAD	2	LH520ATV.27.3-2	70645
6	BOLT M8X40	2	GB/T16674.1	10218

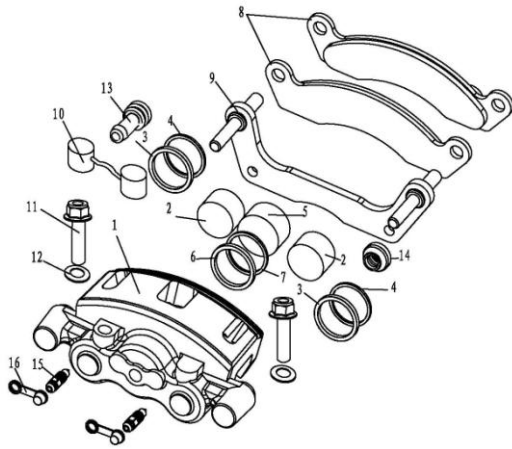
24.2

BRAKE CALIPER



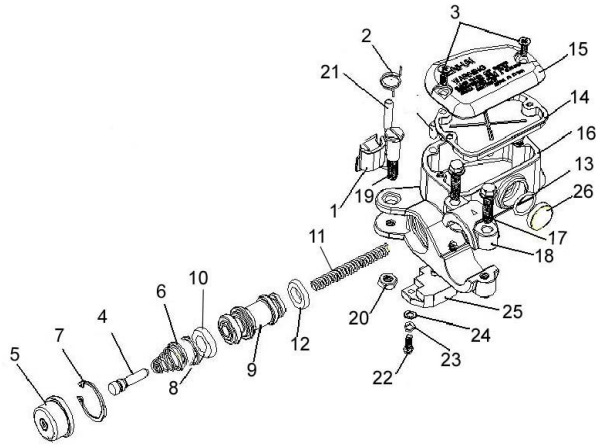
REF. No.	DESCRIPTION	QTY	图号	CODE
1	BOLT	1	LH260ATV-B.26.2-1	26293
2	BOLT M8X25	2	GB/T70.1 ZJ610.03-05	10276
3	NUT	1	GB/T6177 M8	10080
4	SPRING	1	LH260ATV-B.26.2-6	27037
5	ROCKER	1	LH300CUV.26.1.1-1	26877
6	BRAKE CALIPER SHELL	1	LH300CUV.26.1.1-2	26878
7	UP RING	1	LH260ATV-B.26.2-5	26296
8	BALL	3	GB/T 308	26239
9	DOWN RING	1	LH260ATV-B.26.2-6	26297
10	MIDDLE STAFF	1	LH260ATV-B.26.2-3	26295
11	SPRING	1	LH260ATV-B.26.2-7	26298
12	BOLT M8X40	2	GB5780-86	26271
13	CLIP	2	GB/T894.1-1986	27032
14	UP BRACKET	1	LH520ATV.27.3-2	71045
15	STAFF	1	LH300CUV.26.1.1-3	26879
16	COLLAR	2	LH300CUV.26.1.1-4	26880
17	BRAKE PAD	2	LH260ATV-B.26.2.1	26292
18	BRACKET	1	LH520ATV.27.3-3	71046
19	NUT	2	GB /T6172	26238
20	GUIDE STAFF ASSY	1	LH300CUV.26.1.1.1	26874
21	GUIDE STAFF	2	LH300CUV.26.1.1.1-1	26875
22	ORIENTATION BRACKET	1	LH300CUV.26.1.1.1-2	26876

BRAKE CALIPER,R.FR OF EUROPE BRAKING SYSTEM



REF. No.	DESCRIPTION	Q'TY	图号	CODE
1	CYLINDER BODY	1	LH520ATV.24.4a-1	70508
2	PISTON 25X31	2	LH520ATV.24.4a-2	70513
3	AIRPROOF RING	2	LH520ATV.24.4a-3	70514
4	DUSTPROOF OF PISTON	2	LH520ATV.24.4a-4	70515
5	PISTON 34X31	1	LH520ATV.24.4a-6	70516
6	AIRPROOF RING	1	LH520ATV.24.4a-7	70517
7	DUSTPROOF OF PISTON	1	LH520ATV.24.4a-8	70518
8	INSIDE AND OUTSIDE PAD	2	LH520ATV.24.4a.2	70507
9	BRACKET	1	LH520ATV.24.4a-9	70519
10	JOINT PIPE	1	LH520ATV.24.4a.1	70506
11	JOINT BOLT	2	LH520ATV.24.4a-10	70509
12	WASHER	2	LH520ATV.24.4a-11	70510
13	GUIDE POLE SHEATH	1	LH520ATV.24.4a-12	70511
14	DUSTPROOF OF GUIDE POLE	1	LH520ATV.24.4a-13	70512
15	BLOWHOLE	2	LH300CUV.24.1-8	26838
16	DUSTPROOF COVER OF BLOWHOLI	2	LH300CUV.24.1-9	26839

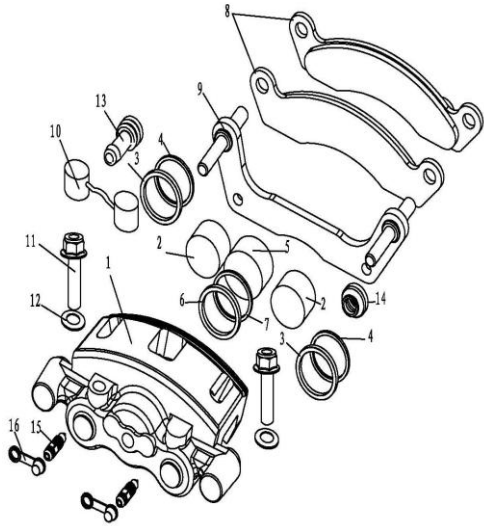
MASTER CYLINDER OF EUROPE BRAKING SYSTEM



24.1 (1)

REF. No.	DESCRIPTION	Q'TY	图号	CODE
1	PROTECT SWITCH	1	LH520ATV.24.1-1	70455
2	SPRING	1	LH520ATV.24.1-2	70467
3	BOLT M4X12	2	GB819-M4X12	10175
4	PUSH ROD	1	LH520ATV.24.1-3	70469
5	DUSTPROOF COVER OF PISTON	1	LH520ATV.24.1-4	70471
6	CONIFORM COMPRESSION	1	LH520ATV.24.1-5	70473
7	CLIP	1	LH520ATV.24.1-6	70474
8	FENDER	1	LH520ATV.24.1-7	70476
9	PISTON OF OIL PUMP	1	LH520ATV.24.1-8	70478
10	POST-RUBBER RING	1	LH520ATV.24.1-9	70480
11	SPRING	1	LH520ATV.24.1-10	70456
12	EX-RUBBER RING	1	LH520ATV.24.1-11	70457
13	O-RING	1	LH520ATV.24.1-12	70458
14	OIL TANK GASKET	1	LH520ATV.24.1-13	70459
15	CAP	1	LH520ATV.24.1-14	70460
16	OIL PUMP BODY	1	LH520ATV.24.1-15	70461
17	BOLT M6X20	2	GB/T2787	10176
18	LOCATING CAP (WITH REAR MIRROR SET)	1	LH520ATV.24.1-16	70462
19	BOLT	1	LH520ATV.24.1-17	70463
20	NUT M6	1	GB/T6184	10104
21	PIN	1	LH520ATV.24.1-18	70464
22	BOLT M4X12	1	GB/T823	10214
23	WASHER 4	1	GB/T848	10172
24	WASHER SPRING 4	1	GB/T859	10173
25	BRAKE LAMP SWITCH	1	LH520ATV.24.1.1	70452
26	MIRROR	1	LH520ATV.24.1-19	70465

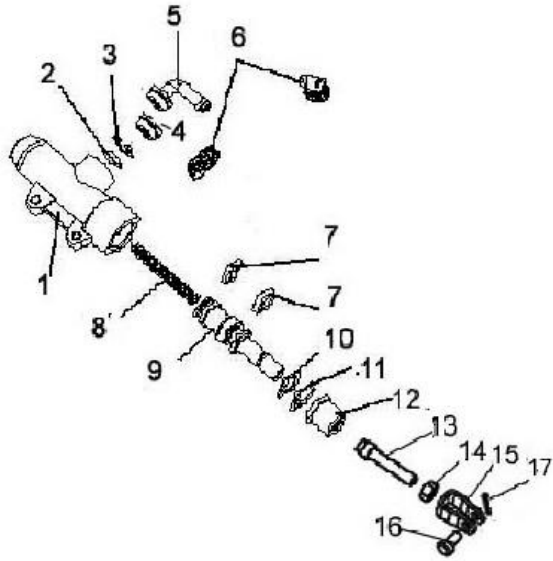
BRAKE CALIPER,L.FR OF EUROPE BRAKING SYSTEM



24.1 (2)

REF. No.	DESCRIPTION	Q'TY	图号	CODE
1	CYLINDER BODY	1	LH520ATV.24.3a-1	70504
2	PISTON 25X31	2	LH520ATV.24.4a-2	70513
3	AIRPROOF RING	2	LH520ATV.24.4a-3	70514
4	DUSTPROOF OF PISTON	2	LH520ATV.24.4a-4	70515
5	PISTON 34X31	1	LH520ATV.24.4a-6	70516
6	AIRPROOF RING	1	LH520ATV.24.4a-7	70517
7	DUSTPROOF OF PISTON	1	LH520ATV.24.4a-8	70518
8	INSIDE AND OUTSIDE PAD	2	LH520ATV.24.4a.2	70507
9	BRACKET	1	LH520ATV.24.4a-9	70519
10	JOINT PIPE	1	LH520ATV.24.4a.1	70506
11	JOINT BOLT	2	LH520ATV.24.4a-10	70509
12	WASHER	2	LH520ATV.24.4a-11	70510
13	GUIDE POLE SHEATH	1	LH520ATV.24.4a-12	70511
14	DUSTPROOF OF GUIDE POLE	1	LH520ATV.24.4a-13	70512
15	BLOWHOLE	2	LH300CUV.24.1-8	26838
16	DUSTPROOF COVER OF BLOWHOLI	2	LH300CUV.24.1-9	26839

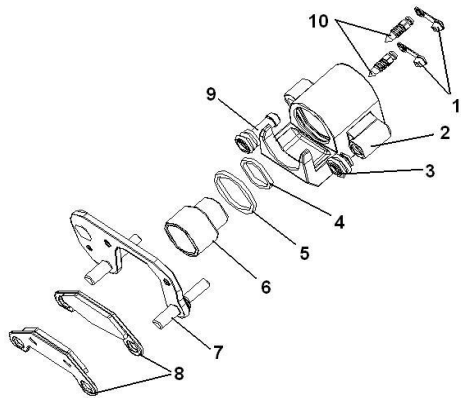
REAR BRAKE CYLINDER OF EUROPE BRAKING SYSTEM



24.1 (3)

REF. No.	DESCRIPTION	Q'TY	图号	CODE
1	CYLINDER BODY	1	LH520ATV.24.2-1	70484
2	O-RING	1	LH520ATV.24.2-2	70491
3	CLIP	1	LH520ATV.24.2-3	70493
4	DUSTPROOF RING	1	LH520ATV.24.2-4	70495
5	CONNECT, CYLINDER	1	LH520ATV.24.2-5	70497
6	CLIP	2	LH520ATV.24.2-6	70498
7	PISTON RUBBER RING	2	LH520ATV.24.2-7	70499
8	PISTON SPRING	1	LH520ATV.24.2-8	70500
9	PISTON	1	LH520ATV.24.2-9	70501
10	WASHER	1	LH520ATV.24.2-10	70485
11	CIRCLIP	1	LH520ATV.24.2-11	70486
12	DUSTPROOF COVER	1	LH520ATV.24.2-12	70487
13	SLEEVE	1	LH520ATV.24.2-13	70488
14	NUT	1	GB6187-86	10079
15	JOINT, BRAKE ROD	1	LH520ATV.24.2.1	70482
16	PIN AXLE	1	LH520ATV.24.2-14	70489
17	PIN 25X12	1	GB/T91	70052

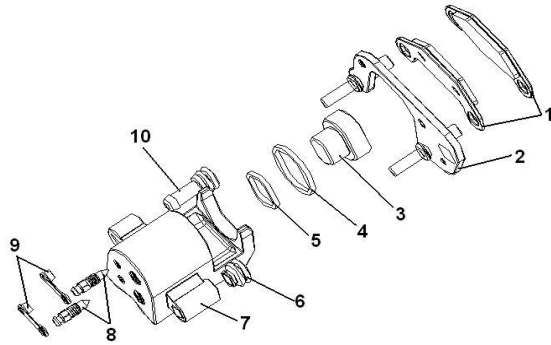
BRAKE CALIPER,L.RR OF EUROPE BRAKING SYSTEM



24.1 (4)

REF. No.	DESCRIPTION	Q'TY	图号	CODE
1	DUSTPROOF COVER OF BLOWHOLE	2	LH520ATV.24.6-8	70534
2	CYLINDER BODY,L	1	LH520ATV.24.6-1	70526
3	DUSTPROOF COVER OF THE BELOW AXLE	1	LH520ATV.24.6-5	70530
4	SMALL AIRPROOF RING	1	LH520ATV.24.6-4	70529
5	AIRPROOF RING	1	LH520ATV.24.6-3	70528
6	PISTON	1	LH520ATV.24.6-2	70527
7	BRACKET	1	LH520ATV.24.6.1	70522
8	INSIDE AND OUTSIDE PAD	2	LH520ATV.24.6.2	70525
9	DUSTPROOF COVER OF THE ABOVEAXLE	1	LH520ATV.24.6-6	70532
10	BLOWHOLE	2	LH520ATV.24.6-7	70533

BRAKE CALIPER,R.RR OF EUROPE BRAKING SYSTEM

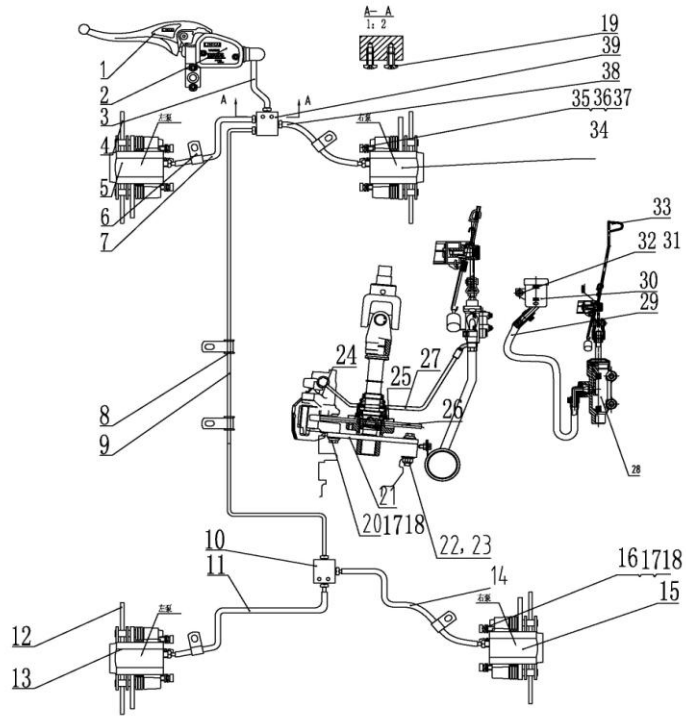


24.1 (5)

REF. No.	DESCRIPTION	Q'TY	图号	CODE
1	INSIDE AND OUTSIDE PAD	2	LH520ATV.24.6.2	70525
2	BRACKET	1	LH520ATV.24.6.1	70522
3	CALIPER PISTON	1	LH520ATV.24.6.2	70527
4	BIG SEALING RING	1	LH520ATV.24.6.3	70528
5	SMALL SEALING RING	1	LH520ATV.24.6.4	70529
6	DUSTPROOF COVER OF THE BELOW AXLE	1	LH520ATV.24.6.5	70530
7	CALIPER BODY,R	1	LH520ATV.24.7-1	70526R
8	BLOWHOLE	2	LH520ATV.24.6-7	70533
9	DUSTPROOF COVER OF BLOWHOLE	2	LH520ATV.24.6-8	70534
10	DUSTPROOF COVER OF THE ABOVEAXLE	1	LH520ATV.24.6-6	70532

24.3 BRAKING SYSTEM (FOR AMERICA)

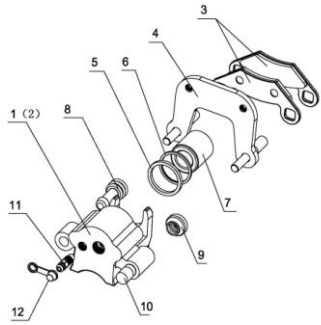
24.1 (6)



REF. No.	DESCRIPTION	Q'TY	图号	CODE
1	BRKE LEVEL,L LEVER CYLINDER(SEE THE DETAIL ON P24.3(5))	1	LH520ATV.25-1	70618
2	HOSE 1	1	LH520ATV.25.1	70560
3	HOSE 2	1	LH520ATV.24.10	70453
4	DISK BRAKE,FR	2	LH520ATV.25-2	70620
5	BRAKE CALIPER,L.FR(SEE THE DETAIL ON P24.3(1))	1	LH520ATV.25.2	70586
6	CLIP	8	LH260ATV.5.1.1	21811
7	HOSE 2	1	LH520ATV.25.14	70583
8	RUBBER TUBE	1	LH260ATV.5.1a-3	32019
9	HOSE 3	2	LH520ATV.24.23	70492
10	THREE LINE COUPLER	1	LH520ATV.24-2	70546
11	HOSE 4	1	LH520ATV.25.16	70585
12	DISK BRAKE,RR	1	LH520ATV.24.8	70537
13	BRAKE CALIPER,L.RR	1	LH520ATV.25.3	70589
14	HOSE 5	1	LH520ATV.25.4	70594
15	BRAKE CALIPER,R.RR	1	LH520ATV.25.5	70595
16	BOLT M8X25	4	GB5782	10105
17	WASHER 8	4	GB/T97.1	10068
18	SPRING WASHER 8	4	GB/T93	10106
19	BOLT M5X15	2	GB/T818	10111
20	BOLT M8X30	2	GB/T5782	70028
21	JOINT BRACKET	1	LH520ATV.25-3	70622
22	NUT M8	2	GB/T6187	10079
23	BOLT M8X45	2	GB/T16674.1	10055
24	BRAKE CALIPER,MIDDLE(SEE THE DETAIL ON P24.3(3))	1	LH520ATV.25.7	70597
25	BOLT	1	LH520ATV.25-4	70624
26	DISK BARKE OF MIDDLE BRAKE CAL	1	LH520ATV.25.8	70614
27	HOSE 5	1	LH520ATV.25.9	70615

		1		
28	MASTER CYLINDER(SEE THE DETAIL ON P24.3(4))		LH520ATV.25.10	70561
29	RESERVOIR HOSE	1	LH520ATV.25.11	70580
30	RESERVOIR	1	LH520ATV.25.12	70581
31	NUT M5	1	GB/T6187	10109
32	BOLT M5X12	1	GB/T16674.1	10108
33	BRAKE PEDAL	1	LH520ATV.24.9	70538
	BRAKE CALIPER,R.FR(SEE THE DETAIL ON P24.3(2))			
34		1	LH520ATV.25.13	70582
35	BOLT M8X25	4	GB5782	10105
36	WASHER 8	4	GB/T97.1	10068
37	WASHER SPRING 8	4	GB/T93	10106
38	HOSE 6	1	LH520ATV.25.15	70584
39	FOUR LINE COUPLER	1	LH520ATV.24-3	70548

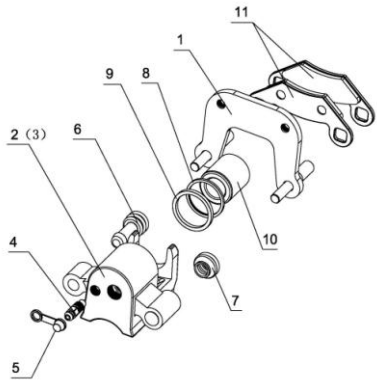
BRAKE CALIPER, L. FR OF AMERICA BRAKING SYSTEM



24.3

REF. No.	DESCRIPTION	Q'TY	图号	CODE
1	CYLINDER BODY L	1	LH300CUV.24.1-1	26830
2	CYLINDER BODY R	1	LH300CUV.24.13-1	71047
3	INSIDE AND OUTSIDE PAD	2	LH520ATV.25.2.2	70588
4	BRACKEET	1	LH520ATV.25.2.1	70587
5	DUSTPROOF COVER OF PISTON	1	LH300CUV.24.1-2	26832
6	AIRPROOF RING	1	LH300CUV.24.1-3	26833
7	PISTON 34X35	1	LH300CUV.24.1-4	26834
8	GUIDE POLE SHEATH	1	LH300CUV.24.1-5	26835
9	BIG GUIDE POLE SHEATH	1	LH300CUV.24.1-6	26836
10	BOLT	1	LH300CUV.24.1-7	26837
11	BLOWHOLE	1	LH300CUV.24.1-8	2838
12	DUSTPROOF COVER OF BLOWHOLI	1	LH300CUV.24.1-9	26839

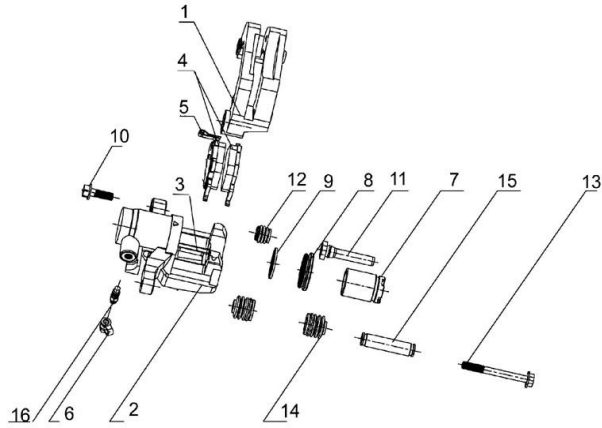
BRAKE CALIPER, R. FR OF AMERICA BRAKING SYSTEM



24.3 (1)

REF. No.	DESCRIPTION	Q'TY	图号	CODE
1	BRACKEET	1	LH520ATV.24.6.1	70522
2	CYLINDER BODY L	1	LH520ATV.25.3-1	70590
3	CYLINDER BODY R	1	LH520ATV.25.5-1	70596
4	BLOWHOLE	1	LH300CUV.24.1-8	2838
5	DUSTPROOF COVER OF BLOWHOLI	1	LH300CUV.24.1-9	26839
6	GUIDE POLE SHEATH	1	LH520ATV.24.6-5	70530
7	DUSTPROOF COVER OF GUIDE POL	1	LH520ATV.24.6-9	70535
8	AIRPROOF RING	1	LH520ATV.25.3-2	70591
9	DUSTPROOF COVER OF PISTON	1	LH520ATV.25.3-3	70592
10	PISTON	1	LH520ATV.25.3-4	70593
11	INSIDE AND OUTSIDE PAD	1	LH520ATV.25.2.2	70588

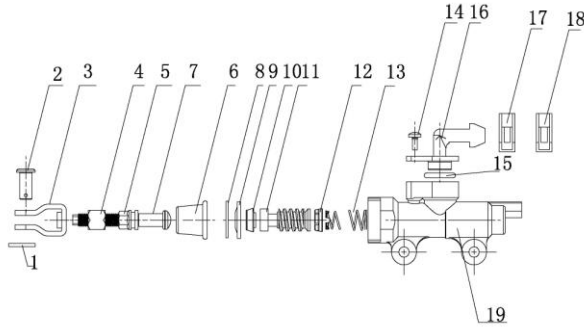
BRAKE CALIPER,MIDDLE OF AMERICA BRAKING SYSTEM



24.3 (2)

REF. No.	DESCRIPTION	Q'TY	图号	CODE
1	BRACKET	1	LH520ATV.25.7-1	70599
2	CALIPER BODY	1	LH520ATV.25.7-2	70606
3	BRACKET	2	LH520ATV.25.7-3	70607
4	INSIDE AND OUTSIDE PAD	1	LH520ATV.25.7.1	70598
5	SPRING PATCH	1	LH520ATV.25.7-4	70608
6	DUSTPROOF COVER OF BLOWHOLI	1	LH520ATV.25.7-15	70605
7	CALIPER PISTON	1	LH520ATV.25.7-5	70609
8	DUSTPROOF COVER, CALIPER PIS	1	LH520ATV.25.7-6	70610
9	AIRPROOF COVER, CALIPER PISTC	1	LH520ATV.25.7-7	70611
10	BOLT	1	LH520ATV.25.7-8	70612
11	PIN AXLE	1	LH520ATV.25.7-9	70613
12	DUSTPROOF COVER, PIN AXLE	1	LH520ATV.25.7-10	70600
13	BOLT	1	LH520ATV.25.7-11	70601
14	AIRPROOF COVER, COLLAR	2	LH520ATV.25.7-12	70602
15	COLLAR	1	LH520ATV.25.7-13	70603
16	BLOWHOLE	1	LH520ATV.25.7-14	70604

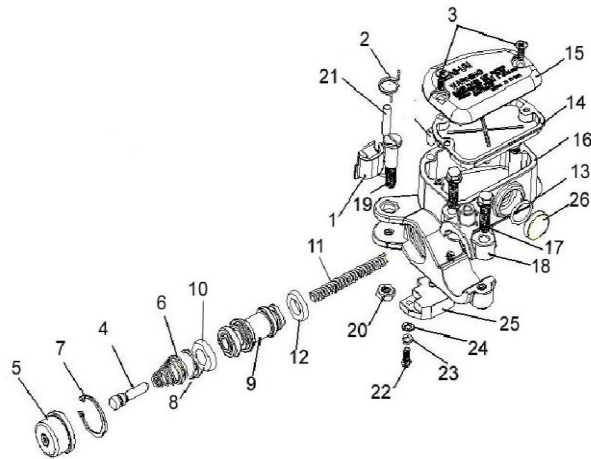
MASTER CYLINDER OF AMERICA BRAKING SYSTEM



24.3 (3)

REF. No.	DESCRIPTION	Q'TY	图号	CODE
1	PIN 2X14	1	GB/T91	70051
2	PIN AXLE	1	LH520ATV.25.10.1	70562
3	JOINT,BRAKE ROD	1	LH520ATV.25.10-1	70563
4	NUT	1	LH520ATV.25.10-2	70572
5	NUT	1	LH520ATV.25.10-3	70573
6	DUSTPROOF	1	LH520ATV.25.10-4	70574
7	ROD	1	LH520ATV.25.10-5	70575
8	CLIP	1	LH520ATV.25.10-6	70576
9	WASHER	1	LH520ATV.25.10-7	70577
10	"Y" SHARP RING 1	1	LH520ATV.25.10-8	70578
11	PISTON OF OIL PUMP	1	LH520ATV.25.10-9	70579
12	"Y" SHARP RING 2	1	LH520ATV.25.10-10	70564
13	SPRING	1	LH520ATV.25.10-11	70565
14	BOLT	1	LH520ATV.25.10-12	70566
15	O-RING	1	LH520ATV.25.10-13	70567
16	CONNRCATOR,MASTER CYLINDER	1	LH520ATV.25.10-14	70568
17	CLIP	1	LH520ATV.25.10-15	70569
18	CLIP	1	LH520ATV.25.10-16	70570
19	CALIPER SHELL	1	LH520ATV.25.10-17	70571

LEVER CYLINDER OF AMERICA BRAKING SYSTEM

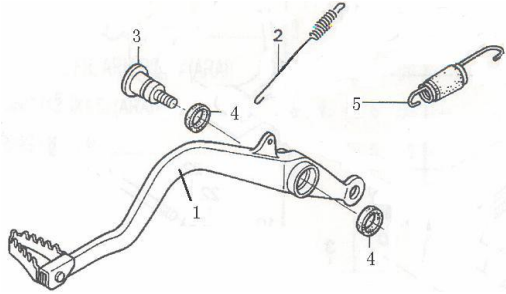


24.3 (4)

REF. No.	DESCRIPTION	Q'TY	图号	CODE
1	PROTECT SWITCH	1	LH520ATV.24.1-1	70455
2	SPRING	1	LH520ATV.24.1-2	70467
3	BOLT M4X12	2	GB819-M4X12	10175
4	PUSH ROD	1	LH520ATV.24.1-3	70469
5	DUSTPROOF COVER OF PISTON	1	LH520ATV.24.1-4	70471
6	CONIFORM COMPRESSION	1	LH520ATV.24.1-5	70473
7	CLIP	1	LH520ATV.24.1-6	70474
8	FENDER	1	LH520ATV.24.1-7	70476
9	PISTON OF OIL PUMP	1	LH520ATV.24.1-8	70478
10	POST-RUBBER RING	1	LH520ATV.24.1-9	70480
11	SPRING	1	LH520ATV.24.1-10	70456
12	EX-RUBBER RING	1	LH520ATV.24.1-11	70457
13	O-RING	1	LH520ATV.24.1-12	70458
14	OIL TANK GASKET	1	LH520ATV.24.1-13	70459
15	CAP	1	LH520ATV.24.1-14	70460
16	OIL PUMP BODY	1	LH520ATV.24.1-15	70461
17	BOLT M6X20	2	GB/T2787	10176
18	LOCATING CAP (WITH REAR MIRROR SET)	1	LH520ATV.24.1-16	70462
19	BOLT	1	LH520ATV.24.1-17	70463
20	NUT M6	1	GB/T6184	10104
21	PIN	1	LH520ATV.24.1-18	70464
22	BOLT M4X12	1	GB/T823	10214
23	WASHER 4	1	GB/T848	10172
24	WASHER SPRING 4	1	GB/T859	10173
25	BRAKE LAMP SWITCH	1	LH520ATV.24.1.1	70452
26	MIRROR	1	LH520ATV.24.1-19	70465

24.4 PEDAL,BRAKE

刹车踏杆组件

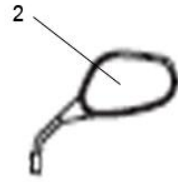


24.3 (5)

REF. No.	DESCRIPTION	Q'TY	图号	CODE
1	PEDAL,BRAKE	1	LH520ATV.24.9.1	70539
2	SPRING,STOP SWITCH	1	LH520ATV.24.9-1	70541
3	SHAFT,BRAKE PIVOT	1	LH520ATV.24.9-2	70542
4	SEAL 15X20X2.5	2	LH520ATV.24.9.2	70540
		1	LH520ATV.24.9-4	
	SPRING,RR,BRAKE(L147MM)			70988

25 REAR VIEW MIRROR

后视镜

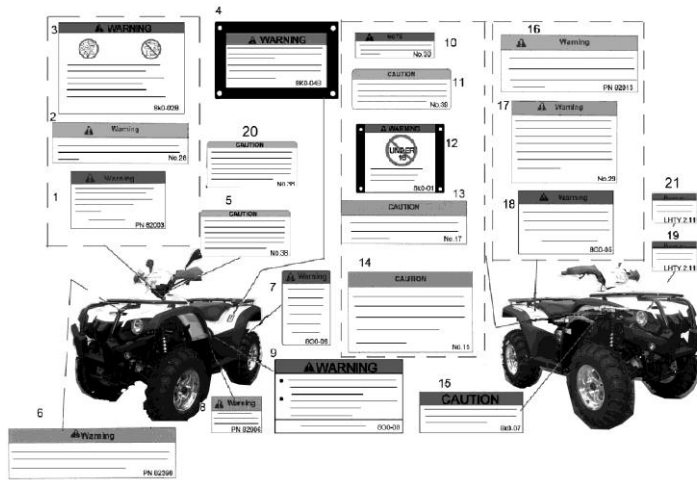


24.4

REF. No.	DESCRIPTION	Q'TY	图号	CODE
1	REAR VIEW MIRROR, L	1	LH520ATV.28.1	70654
2	REAR VIEW MIRROR, R	1	LH520ATV.28.2	70655

26.1 LABELS

警告贴花



REF. No.	DESCRIPTION	QTY	图号	CODE
1	LABEL 18,L,FR	1	LHTY.2.18	70944
2	LABEL 180,L,FR (FOR EUROPE)	1	LHTY.2.180	70945
3	LABEL 2,L,FR (FOR USA)	1	LHTY.2.2	70937
	LABEL28,L,FR (FOREUROPE)	1	LHTY.2.28	70951
4	LABEL 40,L,RR (FOR USA)	1	LHTY.2.40	70955
	LABEL 41,L,RR (FOREUROPE)	1	LHTY.2.41	70956
5	LABEL 37,R,FR	1	LHTY.2.37	70953
6	LABEL 22,RADIATOR	1	LHTY.2.220	70949
7	LABEL42,RR	1	LHTY.2.42	70957
8	LABEL38,,FR	1	LHTY.2.38	70954
9	LABEL15,,FR	1	LHTY.2.15	70941
10	LABEL13,R,RR	1	LHTY.2.13	70940
11	LABEL19,R,RR	1	LHTY.2.19	70946
12	LABEL21,R,FR	1	LHTY.2.21	70948
13	LABEL20,R,FR	1	LHTY.2.20	70947
14	LABEL44,CENTER	2	LHTY.2.44	70959
15	LABEL17,R,FR	1	LHTY.2.17	70943
16	LABEL16,R,FR	1	LHTY.2.16	70942
17	LABEL1,R,FR (FOR USA)	1	LHTY.2.1	70936
	LABEL31,R,FR (FOR EUROPE)	1	LHTY.2.31	70952
18	LABEL,,RECOVERY TANK	1	LHTY.2.10	70938
19	LABEL 220,FR	1	LHTY.2.220	70950
20	LABEL 12,FR	1	LHTY.2.12	70939
21	LABEL 43,RR	1	LHTY.2.43	70958

26.2 MARKS

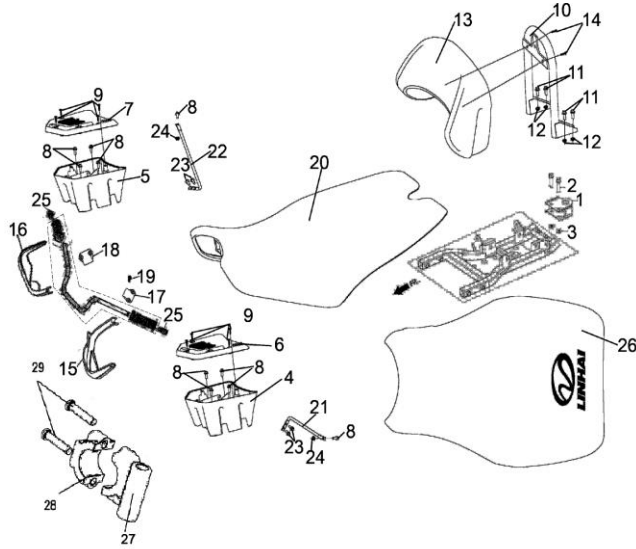
装饰贴花



26.1

REF. No.	DESCRIPTION	Q'TY	图号	CODE
1	MARK, EFI	1	LH400T-17-1	70936
2	MARK,R.FUEL TANK COVER	1	LH520ATV-B.29.3.8-1	70930
3	MARK,L.FUEL TANK COVER	1	LH520ATV-B.29.3.8-1a	70931
4	MARK,STEERING COVER, R,	1	LH520ATV.29.3.8-2	70932
5	MARK,STEERING COVER, L,	1	LH520ATV.29.3.8-2a	70933
6	MARK,R.REAR FENDER	1	LH520ATV.29.3.8-3	70934
7	MARK,R.REAR FENDER	1	LH520ATV.29.3.8-3 a	70935
8	MARK, LINHAI	1	LH520ATV-B.29.1-2	70929

27 ACCESSORY



REF. No.	DESCRIPTION	Q'TY	图号	CODE
1	HITCH BALL BRACKET (ACCESSARY)	1	LH520ATV.30.1	70680
2	BOLT M10X1.25X53(ACCESSARY)	1	GB/T16674.1	70013
3	NUT M10X1.25 (ACCESSARY)	1	GB/T6187	10015
4	LEFT FOOT STEP FIXING HOLDER	1	LH520ATV.30-1	70977
5	HOLDER	1	LH520ATV.30-2	70978
6	LEFT FOOT STEP FIXING COVER	1	LH520ATV.30-3	70979
7	RIGHT FOOT STEP FIXING COVER	1	LH520ATV.30-4	70980
8	BOLT M6X20	10	GB/T16674.1	10110
9	SELF-TAPPING SCREW ST4.2X19	10	GB/T845	10211
10	ASSEMBLY	1	LH520ATV-B.30.1	70981
11	BOLT M8X25	4	GB/T16674.1	10059
12	NUT M8	4	GB/T6184	10067
13	REAR BACKREST	1	LH520ATV-B.30.2	70982
14	BOLT M8X20	2	GB/T16674.1	10081
15	HANDLEBAR COVER LEFT	1	LH260ATV-S.2-1	30121S
16	HANDLEBAR COVER RIGHT	1	LH260ATV-S.2-2	30120S
17	HANDLEBAR COVER CLAMP LEFT	1	LH260ATV-S.2-5	30126
18	HANDLEBAR COVER CLAMPRIGHT	1	LH260ATV-S.2-6	30127
19	SELF-TAPPING SCREW ST4.2X13	4	GB/T845	10178
20	LENGTHEN SEAT	1	LH520ATV.30.3	70983
21	CONNECTING LINK ,L,PEDAL	1	LH520ATV.30-5	70984
22	CONNECTING LINK ,R,PEDAL	1	LH520ATV.30-6	70985
23	BOLT M6X16	4	GB/T16674.1	10183
24	NUT M6	2	GB/T6187	10004
25	GRIP END	1	LH250T-B.11-1	41004L
	GRIP END.R(FOR CARPI MODAL)	1	LH250T-B.11-2	41004R
26	SEAT(WITH LINHAI LOGO)	1	LH520ATV.9.1c	70986
27	UP HOLDER,REAR VIEW MIRROR		LH260ATV.5-4	25525
28	DOWN HOLDER,REAR VIEW		LH260ATV.5-5	25526
29	BOLT M6X20		GB/T70.2	10008