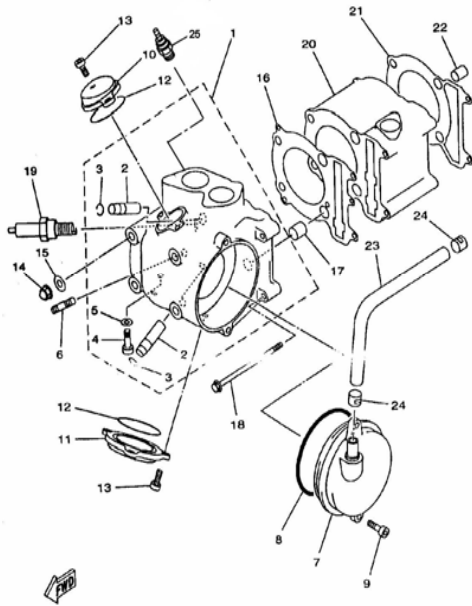
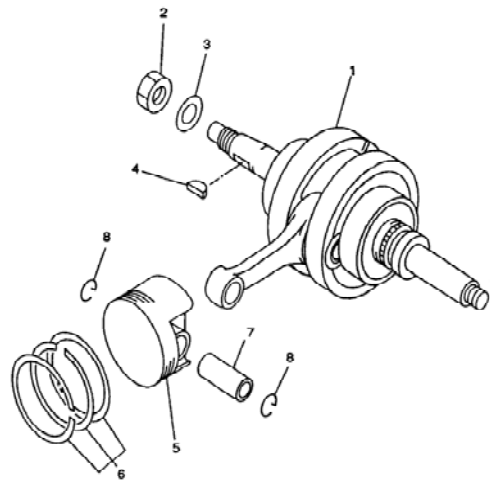


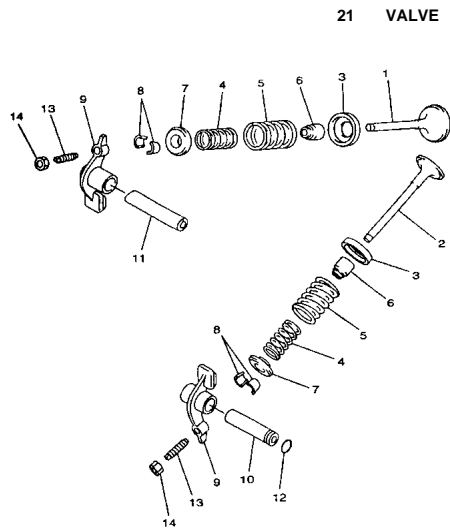
19 CYLINDER



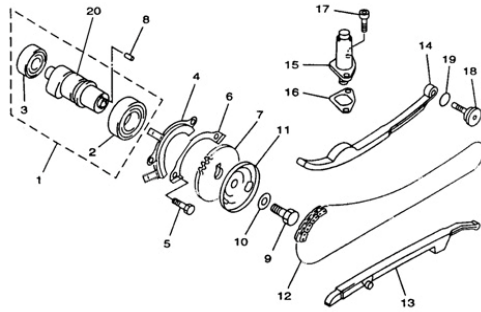
REF. No.	PART NO.	DESCRIPTION	Q'TY	图号
1	27337	CYLINDER HEAD ASSY	1	LH180MQ.1.1
2	27338	GUIDE INTAKE VALVE	2	LH180MQ.1.1-2
3	10112	CIRCLIP 12	2	170M.1.1-6
4	10086	BOLT M6X12	1	GB5783
5	22810	GASKET 6	1	170M.1-9
6	10014	BOLT STUD M8X25	2	GB898
7	22407	BREATHER ASSY	1	170M-A.1.2.1
8	22408	O-RING 95X3.3	1	170M.1.2-5
9	10008	BOLT SOCKET HEAD M6X20	2	GB70
10	22410	VALVE COVER INTAKE SIDE	1	170M.1-1
11	22411	VALVE COVER EXHAUST SIDE	1	170M.1-3
12	22412	O-RING 57.5X2.3	2	170M.1-2
13	10008	BOLT SOCKET HEAD M6X20	5	GB70
14	22414	NUT CROWN M8	4	170M.4-1
15	22415	WASHER PLATE 8	4	170M.4-2
16	27221	GASKET CYLINDER HEAD1	1	LH180MQ.1.3
17	22417	PIN DOWEL 14X16	2	170M.1-6
18	27339	BOLT FLANGE M6X130	2	180MQ.4-4
19	22419	PLUG SPARK-NGK DR8EA	1	170M.1.5
20	27228	CYLINDER	1	LH180MQ.1-5
21	27226	GASKET CYLINDER	1	LH180MQ.1-4
22	22422	PIN DOWEL 10X14	2	1E52FM010011
23	22423	PIPE BREATHER1	1	170M.1.2-4
24	43514	CLIP 13MM	2	170M.20-4
25	27396	THERMO UNIT	1	LH180MQ.1.4



REF. No.	PART NO.	DESCRIPTION	Q'TY	图号
1	27238	CRANKSHAFT ASSY	1	LH180MQ.3.2
2	22502	NUT M16X1	1	170M.3-1
3	22503	WASHER PLATE 16	1	170M.3-2
4	22504	KEY WOODRUFF	1	170M.3-3
5	27241	PISTON	1	LH180MQ.3-6
6	27242	PISTON RING SET	1	LH180MQ.3-7/LH180MQ.3-8/LH180MQ.3.1
7	27240	PISTON PIN	1	LH180MQ.3-5
8	27239	CLIP	2	LH180MQ.3-4

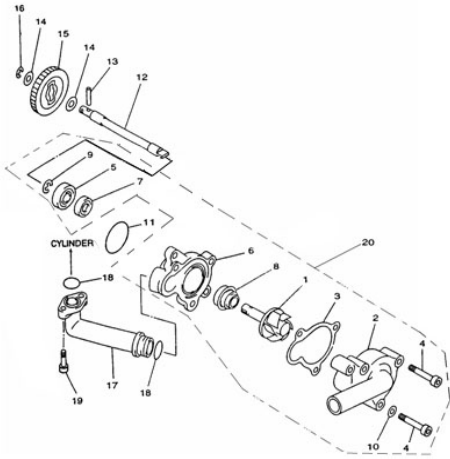


REF. No.	PART NO.	DESCRIPTION	Q'TY	图号
1	27222	INTAKE VALVE	1	LH180MQ.12-11
2	27223	EXHAUST VALVE	1	LH180MQ.12-3
3	22603	SEAT SPRING VALVE	2	170M.12-12
4	22604	SPRING VALVE INNER	2	170M.12-10
5	22605	SPRING VALVE OUTER	2	170M.12-9
6	22606	SEAL VALVE STEM	2	170M.12.1
7	22607	RETAINER SPRING VALVE	2	170M.12-5
8	22608	COTTER VALVE	4	170M.12-4
9	22609	ROCKER ARM VALVE	2	170M.12.2
10	22610	EXHAUST ROCKER SHAFT	1	170M.12-6
11	22611	INTAKE ROCKER SHAFT	1	170M.12-8
12	22612	O-RING 9X2	1	170M.12-7
13	22613	ADJUSTING SCREW VALVE	2	170M.12-2
14	22614	NUT M6X0.75	2	170M.12-1



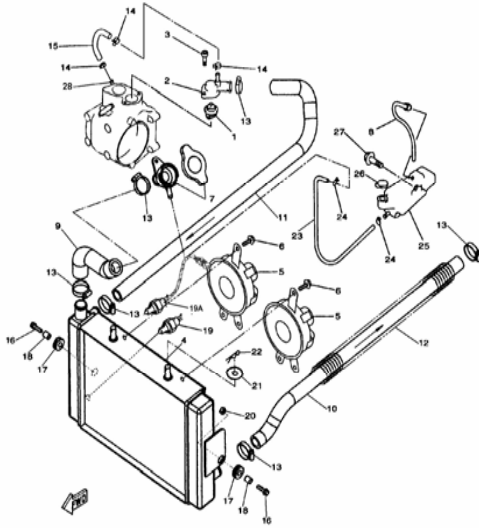
REF. No.	PART NO.	DESCRIPTION	Q'TY	图号
1	27234	CAMSHAFT ASSY1	1	LH180MQ.2
2	10012	BEARING	1	GB276
3	10013	BEARING(B6202Z)	1	GB276
4	27237	PLATE	1	LH180MQ.2-3
5	10086	BOLT M6X12	2	GB5783
6	27236	LOCK WASHER	1	LH180MQ.2-2
7	22707	CAM CHAIN SPROCKET	1	170M.2-4
8	10024	DOWEL PIN B4X10	1	GB119
9	10025	BOLT M10X1.25X25	1	GB5786
10	22710	WASHER PLATE 10	1	170M.2-6
11	22711	BREATHER PLATE2	1	170M.2-5
12	27201	CHAIN	1	180MQ.14.2
13	27203	GUIDE STOPPER1	1	180MQ.14.4
14	27202	GUIDE STOPPER2	1	180MQ.14.3
15	22715A	CAM CHAIN TENSIONER ASSY	1	170M.14.1a
16	22716	GASKET TENSIONER CASE	1	170M.14-1
17	10036	SOCKET HEAD BOLT M6X14	2	GB70
18	22718	CHAIN TENSIONER PIVOT BOLT	1	170M.14-2
19	22719	O-RING 14.5X1.8	1	170M.14-3
20	27235	CAMSHAFT	1	LH180MQ.2-1

## 23 WATER PUMP



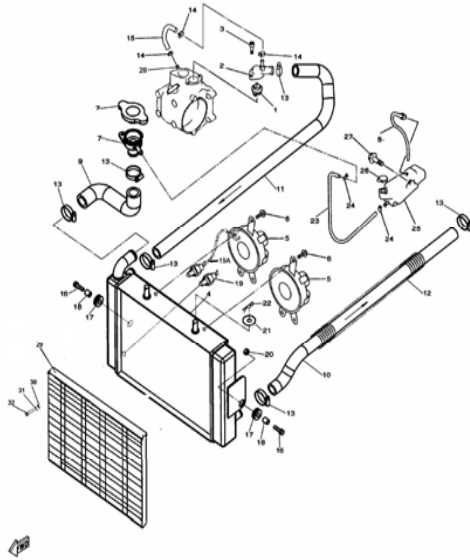
REF. No.	PART NO.	DESCRIPTION	Q'TY	图号
1	22801	IMPELLER SHAFT ASSY	1	170M.15.4
2	22802	HOUSING COVER	1	170M.15-2
3	22803	GASKET HOUSING COVER2	1	170M.15-5
4	10041	SOCKET HEAD BOLT M6X35	3	GB70-M6X35
5	10043	BEARING	1	GB276
6	22806	WATER PUMP HOUSING	1	170M.15-3
7	22807	OIL SEAL 10X21X5	1	170M.15.1
8	22808	MECHANICAL SEAL	1	170M.15.2
9	10044	CIRCLIP 9	1	170M.15-6
10	22810	GASKET 6	1	170M.1-9
11	10049	O-RING 33.5X2.65	1	GB3452.1
12	27230	SHAFT	1	LH180MQ.15-1
13	10070	DOWEL PIN C3X22	1	GB119
14	23814	WASHER PLATE 8	2	170M.8-6
15	22815	IMPELLER SHAFT GEAR	1	170M.15-4
16	10072	CIRCLIP 8	1	GB894.1-8
17	27229	JOINT	1	LH180MQ.15.3.1
18	10082	O-RING 15.5X2.5	2	GB3452.1
19	10083	SOCKET HEAD BOLT M6X15	2	GB70
20	22820	WATER PUMP ASSY	1	LH170M.15

## 24 RADIATOR (FOR 2WD)



REF. No.	PART NO.	DESCRIPTION	Q'TY	图号
1	22901	THERMOSTAT	1	170M.11.7.2
1	22901A	THERMOSTAT(ONLY FOR ITALY)	1	170M.11.7.2a
2	22902	THERMOSTAT COVER	1	170M.11.7.1
3	10085	SOCKET HEAD BOLT M6X25	2	GB70
4	22904F	RADIATOR ASSY	1	170M-A.11.3b
5	22905	BLOWER ASSY	2	170M-A.11.2
6	10087	FLANGE BOLT M6X9	6	GB5787
7	22907A	SAFETY VALVE	1	170M.11.1.1
8	23028	PIPE 2	1	170M.11.6-2
9	22909F	RADIATOR FILLER HOSE	1	170M-A.11-2a
10	22910	RETURN HOSE	1	170M-A.11-14
11	22911F	FEED HOSE	1	170M-A.11-11
12	22912	COMPRESSION SPRING	2	170M-A.11-10
13	22913	HOSE CLAMP1	6	GB/T15001
14	22914	HOSE CLAMP2	2	170M.1-7
15	22915	HOSE2	1	170M.11-13A
16	10110	BOLT M6X20	2	GB/T5787
17	22917	RADIATOR SIDE SUPT GROMMET	2	170M.11-5
18	22918	COLLAR	2	170M.11-6
19	22919	THERMOSTAT SWITCH ASSY	1	170M.11.4
19A	22919A	THERMOSTAT SWITCH ASSY(ONLY	1	170M.11.4A
20	10004	NUT M6	2	GB/6187
21	10019	WASHER PLATE 10	2	GB97
22	10094	CLIP 2X20	2	GB91
23	22923	PIPE 1	1	170M.11.6-5
24	22924	CLIP	2	170M.11.6-4
25	22925	TANK RECOVERY	1	170M.11.6-3
26	22926	CAP	1	170M.11.6.1
27	10140	BOLT FLANGE M6X12	1	GB/T5787-M6X12
28	23001	JOIN	1	170M.1.1-5

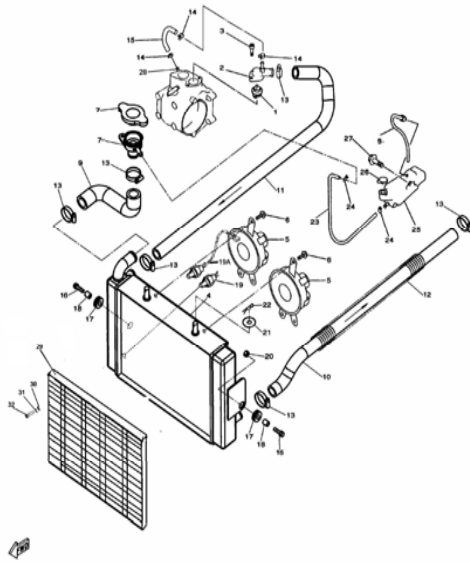
## 24 RADIATOR (FOR 4WD)



REF. No.	PART NO.	DESCRIPTION	Q'TY	图号
1	22901	THERMOSTAT	1	170M.11.7.2
1	22901A	THERMOSTAT(ONLY FOR ITALY)	1	170M.11.7.2a
2	22902	THERMOSTAT COVER	1	170M.11.7.1
3	10085	SOCKET HEAD BOLT M6X25	2	GB70
4	22904T	RADIATOR ASSY (THICKER)	1	170M-A.11.3c
5	22905	BLOWER ASSY	2	170M-A.11.2
6	10087	FLANGE BOLT M6X9	6	GB5787
7	22907A	SAFETY VALVE	1	170M.11.1.1
8	23028	PIPE 2	1	170M.11.6-2
9	22909T	RADIATOR FILLER HOSE	1	170M-A.11-2b
10	22910T	RETURN HOSE	1	170M-A.11-14a
11	22911F	FEED HOSE	1	170M-A.11-11
12	22912	COMPRESSION SPRING	2	170M-A.11-10
13	22913	HOSE CLAMP1	6	GB/T15001
14	22914	HOSE CLAMP2	2	170M.1-7
15	22915	HOSE1	1	170M.11-13A
16	10110	BOLT M6X20	2	GB/T5787
17	22917	RADIATOR SIDE SUPT GROMMET	2	170M.11-5
18	22918	COLLAR	2	170M.11-6
19	22919	THERMOSTAT SWITCH ASSY	1	170M.11.4
19A	22919A	THERMOSTAT SWITCH ASSY(ONLY	1	170M.11.4A
20	10004	NUT M6	2	GB/6187
21	10019	WASHER PLATE 10	2	GB97
22	10094	CLIP 2X20	2	GB91
23	22923	PIPE 1	1	170M.11.6-5
24	22924	CLIP	2	170M.11.6-4
25	22925	TANK RECOVERY	1	170M.11.6-3
26	22926	CAP	1	170M.11.6.1

24 RADIATOR (FOR 4WD)

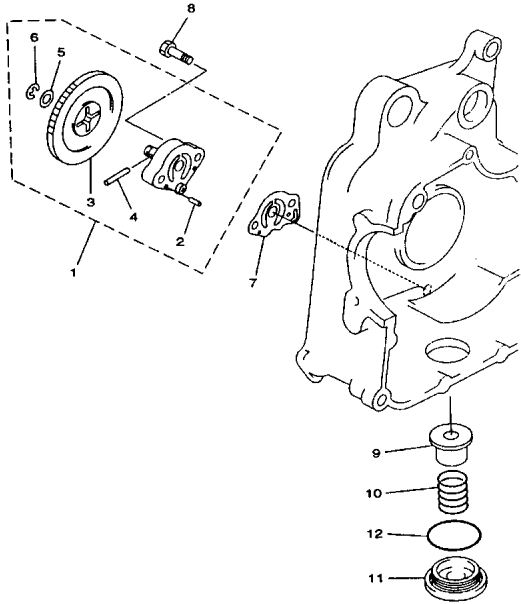
29A



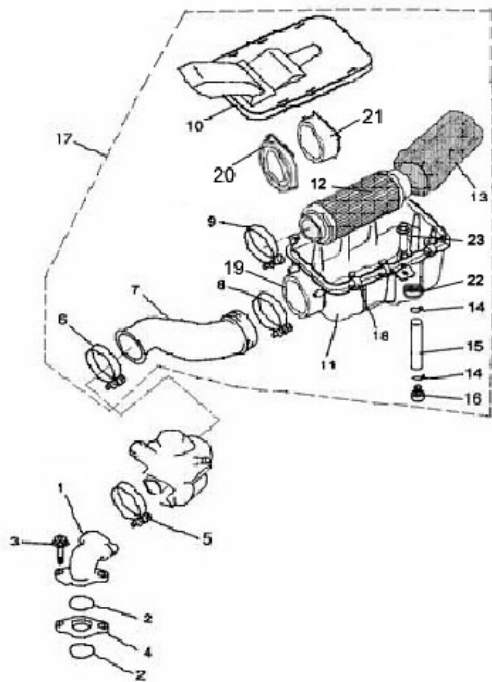
REF. No.	PART NO.	DESCRIPTION	Q'TY	图号
27	10140	BOLT FLANGE M6X12	1	GB/T5787-M6X12
28	23001	JOIN	1	170M.1.1-5
29	23002	FENDER (USED FOR SPORT)	1	170M-A.11.3d.1
30	10006	WASHER 6 (USED FOR SPORT)	4	GB/T97
31	10308	SPRING WASHER (USED FOR SPOI	4	GB/T93
32	10423	BOLT FLANGE M6X14 (USED FOR S	4	GB/T5783

30A

25 OIL PUMP



REF. No.	PART NO.	DESCRIPTION	Q'TY	图号
1	27245	OIL PUMP ASSY	1	LH180MQ.8
2	10096	DOWEL PIN 3X12	2	GB309-3X12
3	23103	GEAR PUMP DRIVEN	1	170M.8-8
4	10097	DOWEL PIN C3X22	1	GB309-3X22
5	23814	WASHER PLATE	1	170M.8-6
6	10130	CIRCLIP	1	GB896-6
7	23107	GASKET	1	170M.8-1
8	10098	SCREW M6X25	2	GB191-M6X25
9	23109	OIL STRAINER	1	170M.4.6
10	23110	COMPRESSION SPRING	1	170M.4-15
11	23111	DRAIN PLUG	1	170M.4-14
12	23112	O-RING 36X3.5	1	170M.4-13

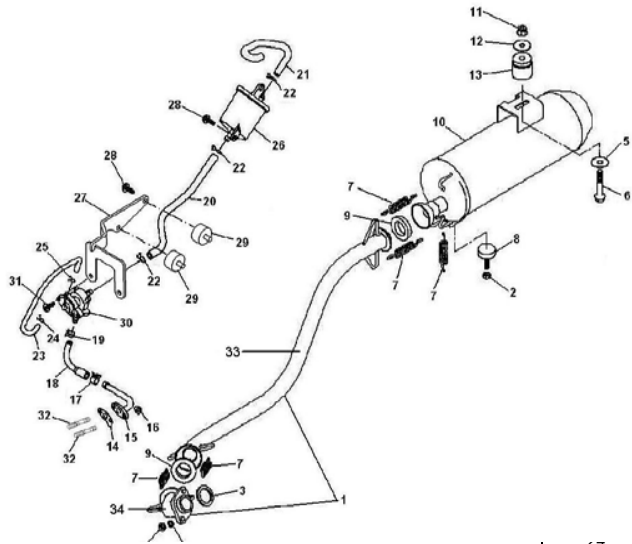


REF. No.	PART NO.	DESCRIPTION	Q'TY	图号
1	<b>27219</b>	JOINT CARBURETOR(FOR USA)		LH180MQ.1.1
1	27220	JOINT CARBURETOR(FOR EUROPE)	1	LH180MQ.1.1a
2	23202	O-RING 35X2	2	170M.17-13
3	10085	SCOKET HEAD BOLT M6X25	2	GB70
4	27225	JOINT	1	LH180MQ.13-1
5	23205	HOSE CLAMP D	1	170M.17.4
6	23206	HOSE CLAMP C	1	LH260ATV.16.6
7	27286	AIR CLEANER JOINT	1	LH400ATV.16-2
8	23208	HOSE CLAMP B	1	LH260ATV.16.4
9	23209	HOSE CLAMP A	1	LH260ATV.16.2
10	23210	COVER AIR CLEANER	1	LH260ATV.16.5
11	23211	AIR CLEANER CASE1	1	LH260ATV.16.3
12	23212	ELEMENT COMP AIR CLEANER	1	LH260ATV.16.1
13	23213	FILTER COVER	1	LH260ATV.16.7
14	23214	CLIP	2	LH260ATV.16-4
15	23215	HOSE	1	LH260ATV.16-3
16	23216	PLUG	1	LH260ATV.16-5
17	23217	AIR CLEANER ASSY	1	LH260ATV.16
18	23218A	AIR CLEANER COVER CLIP	6	LH260ATV.16-10
19	25587	JOINT, AIR CLEANER	1	LH260ATV.16-7
20	25588	WASHER, AIR CLEANER	1	LH260ATV.16-8
21	25589	JOINT FIXED, AIR CLEANER	1	LH260ATV.16-9
22	25600	RUBBER WASHER	2	LH260ATV.16-6
23	10182	BOLT M6X30	2	GB/T16674.1

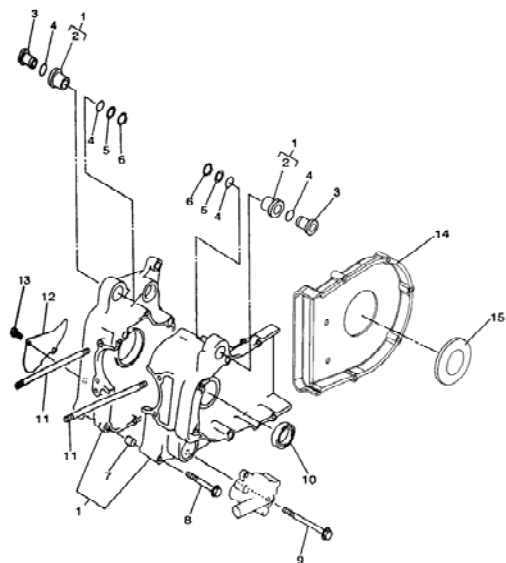


REF. No.	PART NO.	DESCRIPTION	Q'TY	图号
1	27224	CARBURETOR ASSY	1	LH180MQ.13.2
2	70180	LINE ASSY	1	LH2V70.14.7

REF. No.	CODE	DESCRIPTION	QTY	PART No.
1	25200	EXHAUST PIPE	1	LH260ATV-B.14.2
2	10099	NUT M8	4	GB/T6170
3	23403	EXHAUST PIPE GASKET	1	170M.19.3
4	10106	WASHER 8	2	GB/T93
	10117	WASHER PLATE 10	1	GB/T96
	10120	BOLT FLANGE M10X1.25X62	1	GB/T16674.1
	13408	SPRING	5	LH260ATV.15-1
	15202	MUFFLER SUPPORT BOTTOM	1	LH260ATV-B.14.4
	15222	JOINT	1	LH260ATV-B.14.3
	17351	MUFFLER (FOR EUROPE)	1	LH400ATV-2B.14.1
	17351a	MUFFLER (FOR USA)	1	LH400ATV-2B.14.1a
	10015	NUT M10X1.25	1	GB/T6187
	10117	WASHER PLATE 10	1	GB/T96
	17352	MUFFLER SUPPORT	1	LH400ATV-2B.15.2
	13510	WASHER	1	170M.20-10
	13511A	HOSE	1	170M-A.20.3a
	10004	NUT M6	2	GB/T6187
	13513	CLIP 16	1	170M.20-9
	13512	HOSE C	1	170M.20-8
	13514	CLIP 13	1	170M.20-4
	13525	HOSE B	1	170M.20-3
	13518	HOSE A	1	170M.20-1
	13519	HOSE CLAMP 16	3	170M.20-2
	13520	PIPE	1	170M.20-7
	13521	CLIP 9	1	170M.20-6
25	43522	CLIP 7.6	1	170M.20-5
26	43523	FILTER	1	170M.20.1
27	33227	VALVE BRACKET	1	170M-A.20.4a
28	10140	BOLT M6X12	4	GB/T16674.1
29	20316	RUBBER PAD	8	LH260ATV.1.15
30	43516	VALVE	1	170M.20.2
31	10263	BOLT M6X20	2	GB/T5789
32	10263	BOLT	2	170M.20-11
33	25594	EXHAUST PIPE 1	1	LH400ATV-2B.14.2.1
34	25595	EXHAUST PIPE 2	1	LH400ATV-2B.14.2.2

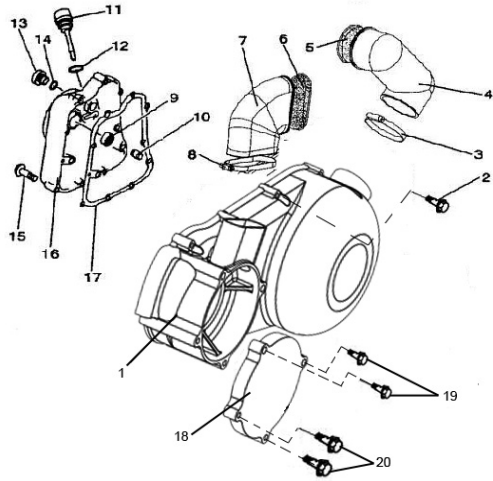


29 CRANKCASE



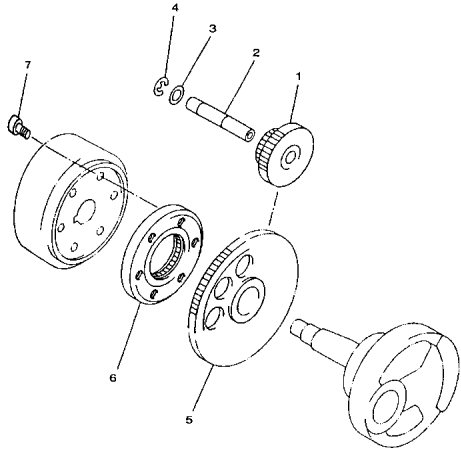
REF. No.	PART NO.	DESCRIPTION	Q'TY	图号
1	27204	CRANKCASE ASSY	1	180MQ.4
2	23502	HOLDER	2	170M.4.7
3	23503	COLLAR	2	170M.4-17
4	23504	O-RING16X2.5	4	170M.4-16
5	23505	WASHER PLATE 16	2	170M.4-18
6	10121	CIRCLIP 16	2	GB894.1-16
7	22422	DOWEL PIN 10X14	2	1E52FM010011
8	23508	FLANGE BOLT M6X70	4	170M.4-5
9	23509	FLANGE BOLT M6X100	5	153FM.16-9
10	23510	OIL SEAL 30X45X5	1	170M.4.3
11	27205	STUD BOLT M8X253.6	4	180MQ.4-3
12	23512	COVER CRANKCASE RIGHT	1	170M.4-12
13	10036	SOCKET HEAD BOLT M6X14	2	GB70
14	27232	REAR INSIDE COVER	1	LH180MQ.18.2-1
15	23515	AIRPROOF COVER	1	LH260ATV.14.1-2

## 30 LEFT&amp;RIGHT COVER



REF. No.	PART NO.	DESCRIPTION	Q'TY	图号
1	27231	COVER CRANKCASE LEFT	1	LH180MQ.18.1
2	10177	FLANGE BOLT M6X40	6	GB/T16674.1
3	23603	HOSE CLAMP B	1	LH260ATV.14.2.4
4	23604	JOINT A	1	LH260ATV.14.2-3
5	23605	AIR STRAINER B	1	LH260ATV.14.2.3
6	23606	AIR STRAINER A	1	LH260ATV.14.2.2
7	23607	JOINT B	1	LH260ATV.14.2-1
8	23608	HOSE CLAMP A	1	LH260ATV.14.2.1
9	23609	OIL SEAL	1	170M.5.1
10	22422	DOWEL PIN 10X14	4	1E52FM010011
11	23611	OIL PLUG	1	170M.5-5
12	10122	O-RING 18X2.65	1	GB3452.1
13	23613	OIL PLUG	1	170M.5-4
14	10123	O-RING 14X2.65	1	GB3452.1
15	23615	FLANGE BOLT M6X40	15	170M.4-21
16	23616	CAP COVER	1	170M.5-1
	23616A	CAP COVER (USE WITH HIGH-POW	1	170M.5-1a
17	23617	CRANKCASE COVER GASKET RIGH	1	170M.5-2
18	27233	FRONT COVER	1	LH180MQ.18-1
19	10110	BOLT M6X20	2	GB/T16674.1
20	27208	BOLT M6X110	2	GB/T16674.1

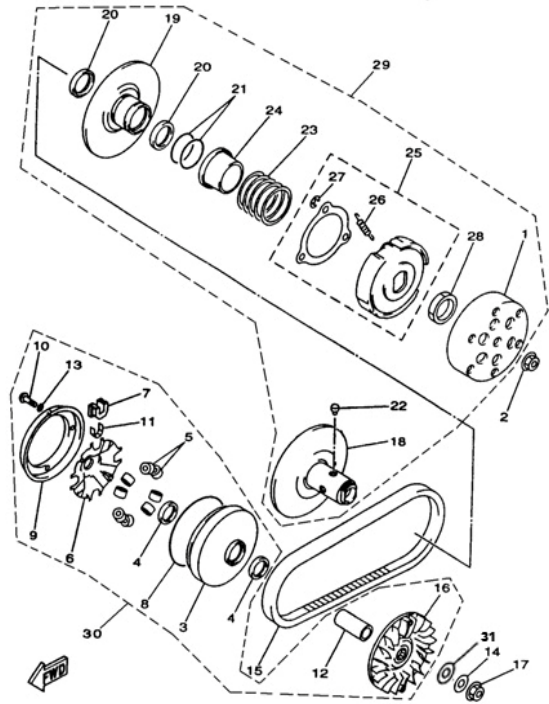
31 STARTER



36

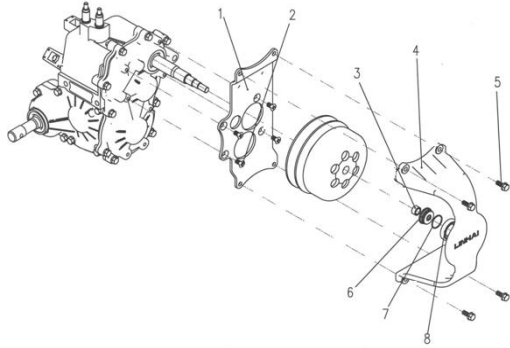
REF. No.	PART NO.	DESCRIPTION	Q'TY	图号
1	23701	GEAR IDLER	1	170M.7.1
2	23702	SHAFT	1	170M.7-2
3	23703	WASHER 12	1	170M.7-1
4	10129	CIRCLIP 12	1	GB894.1
5	23705	GEAR REDUCTION	1	170M.7.2
6	23706	STARTER CLUTCH	1	170M.7.3
7	10131	SOCKET HEAD BOLT M8X16	3	GB70

## 32 CLUTCH



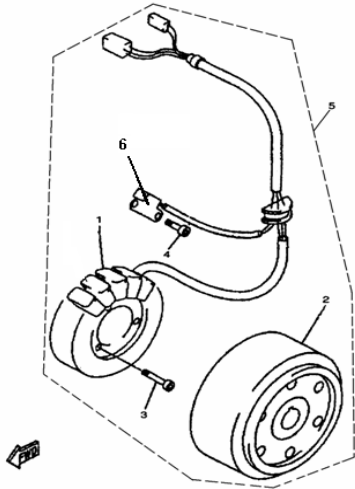
REF. No.	PART NO.	DESCRIPTION	Q'TY	图号
1	27251	CLUTCH HOUSING COMP.	1	LH180MQ.9.2.3
2	23802	NUT M14X1	1	170M.9-2
3	23803	PRIMARY SLIDING SHEAVE COMP	1	170M.9.1.1
4	23804	OIL SEAL	2	170M.9.1-5
5	23805	WEIGHT	8	170M.9.1.2
6	27246	CAM	1	LH180MQ.9.1-4
7	23807	SLIDER	4	170M.9.1-1
8	23808	O-RING 118X2.5	1	170M.9.1-6
9	23809	STOPPER	1	170M.9.1-2
10	10132	PAN HEAD SCREW M4X12	4	GB818
11	23811	SPACER 1	4	170M.9.1-3
12	27252	COLLAR	1	LH180MQ.9-1
13	23813	WASHER PLATE 4	4	170M.9.1-8
14	23814	WASHER PLATE 14	1	170M.9-3
15	23815	V-BELT	1	170M.9-4
16	27247	SHEAVE PRIMARY FIXED	1	LH180MQ.9.1-7
17	23802	NUT M14X1	1	170M.9-2
18	23818	SECONDARY FIXED SHEAVE COMP	1	170M.9.2.1.1
				170M.9.2.1-5
				170M.9.2.1-6
				170M.9.2.1-7
				170M.9.2.1-8
19	23819	SECONDARY SLIDING SHEAVE	1	170M.9.2.1.2
20	23820	OIL SEAL	2	170M.9.2.1-4
21	23821	O-RING 45X1.8	2	170M.9.2.1-3
22	23822	PIN GUIDE	4	170M.9.2.1-2
23	23923	COMPRESSION SPRING	1	170M.9.2-1
24	23924	SEAT SECONDARY SPRING	1	170M.9.2.1-1
25	27249	CLUTCH CARRIER ASSY	1	LH180MQ.9.2.2
26	27250	CLUTCH WEIGHT SPRING 1	3	LH180MQ.9.2.2-4
27	10133	CIRCLIP 8	3	GB896-8
28	23928	NUT M36X1.5	1	170M.9.2-2
29	27248	DRIVEN ASSY COMPLETE	1	LH180MQ.9.2
30	27254	DRIVE ASSY COMPLETE	1	LH180NMQ.9.1
31	27253	WASHER PLATE 21.5	1	LH180MQ.9-5

## HIGH-POWER CLUTCH STAND ASSY



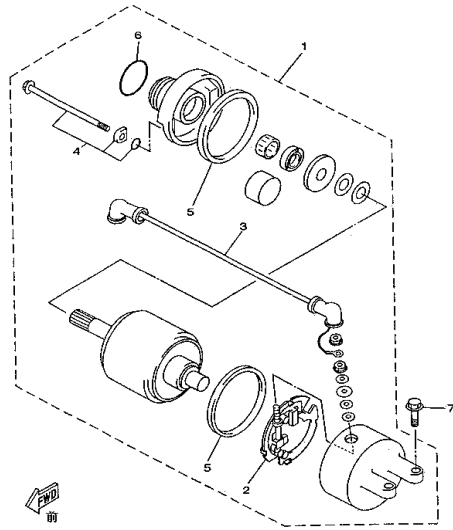
REF. No.	PART NO.	DESCRIPTION	Q'TY	图号
1	23941	BRACKET 1	1	LH260ATV.14.3.1
2	10424	SWCREW M8X12	4	GB/T819
3	23942	SMALL SPACER	1	LH260ATV.14.3-2
4	23943	BRACKET 2	1	LH260ATV.14.3-1
5	10425	BOLT M8X22	4	GB/T16674.1
6	23944	SPACER	1	170M.18-6
7	10321	O-RING 26.5X1.8	1	GB/T3452.1
8	10426	BEARING 6906Z	1	GB/T276

33 GENERATOR

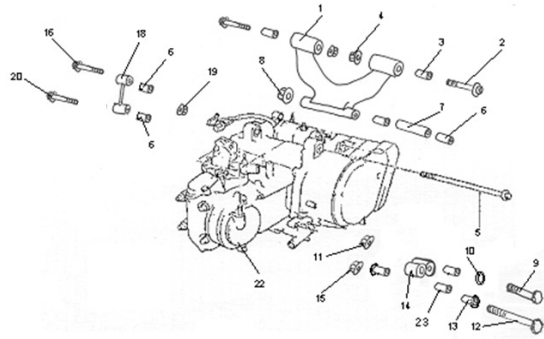


39 (1)

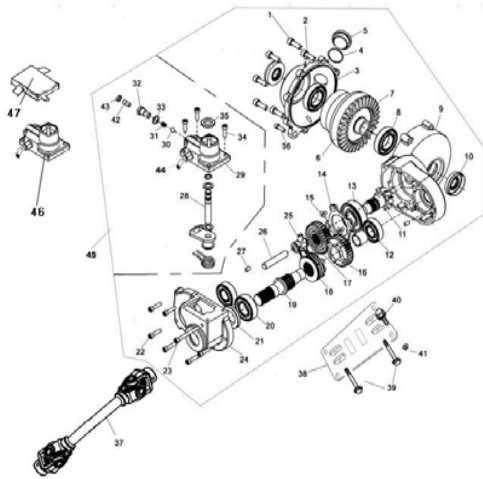
REF. No.	PART NO.	DESCRIPTION	Q'TY	图号
1	24001	STATOR ASSY (THE COLOR OF a	1	170M.6.1.2
2	27244	ROTOR ASSY (GREEN COLOR)	1	LH180MQ.6.1.1
3	10134	SOCKET HEAD BOLT M5X25	3	GB70
	10085	SOCKET HEAD BOLT M6X25 (FOR HEAVY PC	3	GB70
4	10135	SOCKET HEAD BOLT M5X12	2	GB70
5	27243	GENERATOR ASSY	1	LH180MQ.6.1
6	24006	PICK UP COIL	1	170M.6.1.2.2



REF. No.	PART NO.	DESCRIPTION	Q'TY	图号
1	24101	STARTING MOTOR ASSY	1	170M.16
2	24102	BRUSH HOLD ASSY	1	170M.16.4
3	24103	CORD,STARTER MOTOR	1	170M.16.2
4	24104	BOLT	2	170M.16-2
5	24105	GASKET	2	170M.16-3
6	24106	O-RING 24.5X3	1	170M.16-1
7	24107	FLANGE BOLT M6X25	2	170M.4-6



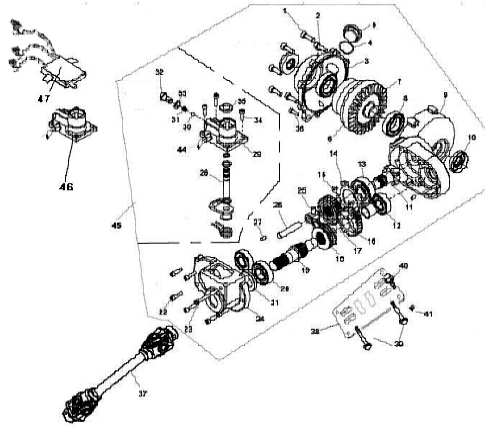
REF. No.	PART NO.	DESCRIPTION	Q'TY	图号
1	27291	FRONT ENGINE MOUNT BRACKET	1	LH400ATV.20.1.1
2	24202	ENGINE BRACKET BOLT	2	LH260ATV.20-2
3	24203	BUSHING ENGING BRACKET1	2	LH260ATV.20.1.2
4	10136	NUT M12X1.25	2	GB/T6187
5	27294	ENGINE MOUNTING BOLT	1	LH400ATV.20-2
6	24206	BUSHING ENGING BRACKET2	4	LH260ATV.20.1.3
7	27293	SPACER ENGINE BRACKET	1	LH400ATV.20-1
8	10015	NUT M10X1.25	1	GB/T6187
9	10016	BOLT M10X1.25X55	1	GB/T5785
10	27295	WASHER	1	LH400ATV.20-3
11	10015	NUT M10X1.25	1	GB/T6187
12	10137	BOLT M8X120	1	GB/T5782
13	24213	LEFT SPACER	2	LH260ATV.20-3
14	24214	STAY ENGINE LEFT	1	LH260ATV.20.2
15	10079	NUT M8	1	GB/T6187
16	10138	BOLT M10X1.25X68	1	GB/T5785
18	24218	STAY ENGINE RIGHT	1	LH260ATV.20.3
19	10015	NUT M10X1.25	1	GB/T6187
20	10139	BOLT M8X65	1	GB/T5782
22	27218	ENGINE ASSY	1	LH180MQ
23	24223	BUSHING	2	LH260ATV.20.2.2



42

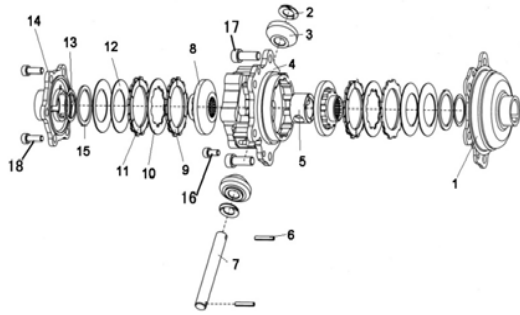
REF. No.	PART NO.	DESCRIPTION	Q'TY	图号
1	10059	BOLT M8X25	7	GB/T5787
2	24302	VENT FITTING	1	LH260ATV.12.3
3	24303	LEFT COVER	1	LHTY.1-1
4	10122	O-RING 18X2.65	1	GB/T3452.1
5	24305	DIFF FILLERPLUG	1	153FM.16-3
6	24306	FOC BODY	1	LHTY.1.1
7	24307	BEVEL CROWNWHEEL	1	LHTY.1-2
8	10202	BEAR 6006	2	GB/T276
9	24309	DIFFCASE RHS	1	LHTY.1-3
10	24310	SEAL SDD722X48X11	2	LHTY.1.2
11	24311	CONICAL WITH HELICAL GEARING	1	LHTY.1-4
12	10062	BEAR 6204	2	GB/T276
13	10074	BEAR 6305ST	1	GB/T276
14	24314	CASEBEAR RETAINER	1	LHTY.1-5
15	10287	SCREW M6X12	4	GB/T2673
16	24316	DIFF GEAR	1	LHTY.1.3
17	24317	DIFF GEAR DRIVEN	1	LHTY.1-6
18	24318	SPLINED DOG	1	LHTY.1-7
19	24319	DIFF INPUTSHAFT A	1	LHTY.1-8
20	10267	BEAR 6205	1	GB/T276
21	24321	SEAL TC25X47X7	1	LHTY.1.4
22	10182	BOLE M6X30	6	GB/T5787
23	10160	BOLE M6X70	1	GB/T5787
24	24324	REAR COVER	1	LHTY.1-9
25	24325	DIFF SELECTOR FORK	1	LHTY.1-10
26	24326	SELECTOR RAIL	1	LHTY.1-11
27	24327	PIN	1	LHTY.1-12
28	24328	SELECTOR SHAFT	1	LHTY.1.5

43



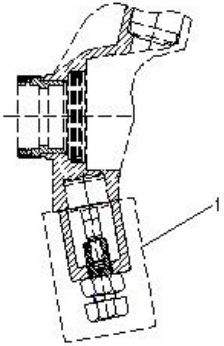
REF. No.	PART NO.	DESCRIPTION	Q'TY	图号
29	24429	SELECTOR COVER	1	LHTY.1-13
30	10203	STEEL BALL 8	1	GB/T308
31	24431	SPRING	1	LHTY.1-14
32	24433	INDENT BALL INSERT	1	LHTY.1-15
33	24432	WASHER	1	LHTY.1-16
34	10183	BOLT M6X16	4	GB/T5787
35	24435	SEAL TC12X28X7	1	LHTY.1.6
36	10168	BOLT M8X16	1	GB/T5787
37	24437	FRONT PROPSHAFT ASSY	1	LH260ATV.13.3
38	24438	FRONT GEAR-BOX BACKSTOP	1	LH260ATV.1.16
39	10208	BOLT M10X1.25X43	2	GB/T5787
40	10163	BOLT M10X1.25X20	4	GB/T5787
41	10209	NUT M10	6	GB/T6184
44	24444	4WD AND 2WD SWITCH	1	LHTY.1.7
45	24445	FRONT GEAR-BOX	1	LHTY.1
46	24446	2WD/4WD SHIFT MOTOR(USED WITI	1	LHTY.1.8.1
47	24447	2WD/4WD SHIFT ELECTRONIC CON	1	LHTY.1.8.2

39 FOC BODY (FOR 4WD)



REF. No.	PART NO.	DESCRIPTION	Q'TY	图号
1	24701	LARGER COVER	1	LHTY.1.1-14
2	24702	WASHER	2	LHTY.1.1-2
3	24703	PINION	2	LHTY.1.1-3
4	24704	HOUSING	1	LHTY.1.1-1
5	24705	CENTER SPACER	1	LHTY.1.1-5
6	10003	ROLL PIN	2	GB/T879
7	24707	CENTER PIN	2	LHTY.1.1-4
8	24708	BEVEL GEAR	2	LHTY.1.1-7
9	24709	CLUTCH PLATE OUTER DOUBLE	2	LHTY.1.1-12
10	24710	CLITCH PLATE INNER	2	LHTY.1.1-13
11	24711	CLUTCH PLATE OUTER SINGLE	2	LHTY.1.1-11
12	24712	DISHED SPRING	4	LHTY.1.1-8
13	24713	WASHER	2	LHTY.1.1-10
14	24714	SMALL COVER	1	LHTY.1.1-15
15	24715	SPING SEAT	2	LHTY.1.1-9
16	10083	SCREW M6X15	2	GB/T70
17	10131	SCREW M8X16	6	GB/T70
18	24718	BOLT M8X15	6	LHTY.1.1-6

40 SPECIAL TOOL KIT



REF. No.	PART NO.	DESCRIPTION	Q'TY	图号
1	24801	TOOL FOR BALL JOINT,STRUT REMOVAL	1	LH260ATV.3.2.1GJ.1