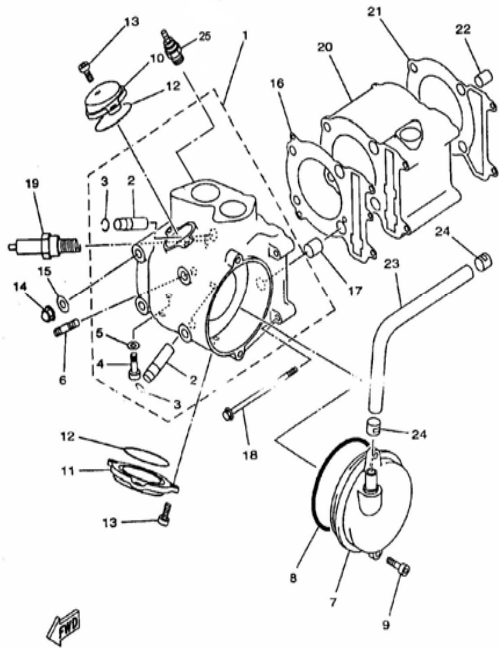
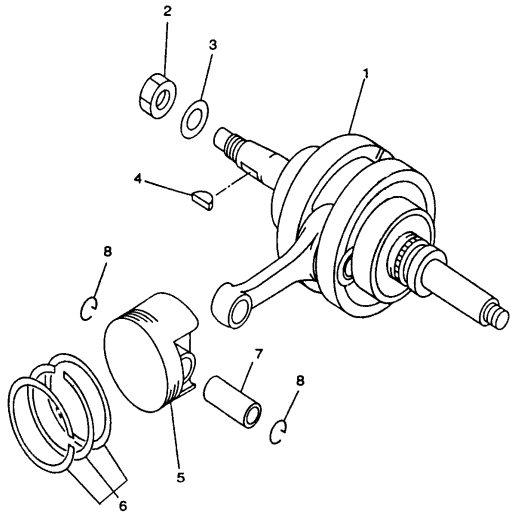


19 CYLINDER



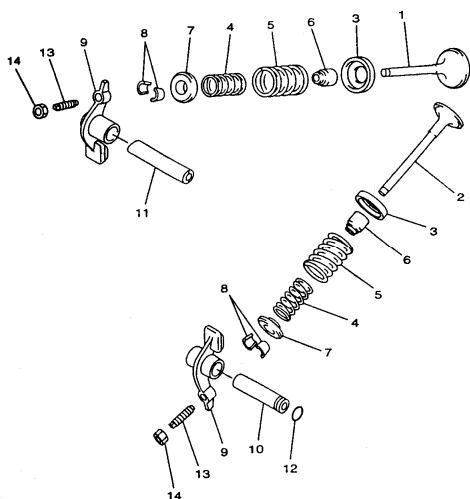
REF. No.	PART NO.	DESCRIPTION	Q'TY	图号	PART NO.	
1	27337	CYLINDER HEAD ASSY	1	LH180MQ.1.1	1L001010000	2701
2	27338	GUIDE INTAKE VALVE	2	LH180MQ.1.1-2	1L001010002	2702
3	10112	CIRCLIP 12	2	170M.1.1-6	1L001010006	2703
4	10086	BOLT M6X12	1	GB5783	B01010612	2704
5	22810	GASKET 6	1	170M.1-9	1L001000009	2705
6	10014	BOLT STUD M8X25	2	GB898	B01420825	2706
7	22407	BREATHER ASSY	1	170M-A.1.2.1	1L001020100	2707
8	22408	O-RING 95X3.3	1	170M.1.2-5	1L001020005	2708
9	10008	BOLT SOCKET HEAD M€	2	GB70	B02010620	2709
10	22410	VALVE COVER INTAKE €	1	170M.1-1	1L001000001	2710
11	22411	VALVE COVER EXHAUS	1	170M.1-3	1L001000003	2711
12	22412	O-RING 57.5X2.3	2	170M.1-2	1L001000002	2712
13	10008	BOLT SOCKET HEAD M€	5	GB70	B02010620	2713
14	22414	NUT CROWN M8	4	170M.4-1	1L004000001	2714
15	22415	WASHER PLATE 8	4	170M.4-2	1L004000002	2715
16	27221	GASKET CYLINDER HEA	1	LH180MQ.1.3	1L001030000	2716
17	22417	PIN DOWEL 14X16	2	170M.1-6	1L001000006	2717
18	27339	BOLT FLANGE M6X130	2	180MQ.4-4	1L004000004	2718
19	22419	PLUG SPARK-NGK DR8E	1	170M.1.5	1L001050000	2719
20	27228	CYLINDER	1	LH180MQ.1-5	1L001000005	2720
21	27226	GASKET CYLINDER	1	LH180MQ.1-4	1L001000004	2721
22	22422	PIN DOWEL 10X14	2	1E52FM010011	1E001001100	2722
23	22423	PIPE BREATHER1	1	170M.1.2-4	1L001020004	2723
24	43514	CLIP 13MM	2	170M.20-4	1L020000004	2724
25	22014	THERMO UNIT	1	170M.1.4	1L001040000	2725

20 CRANKSHAFT COMP

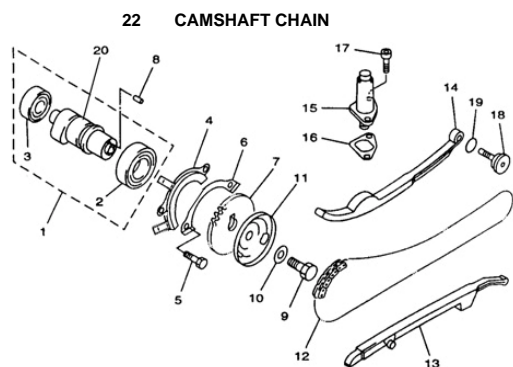


REF. No.	PART NO.	DESCRIPTION	Q'TY	图号	PART NO.	
1	27238	CRANKSHAFT ASSY	1	LH180MQ.3.2	1L103020000	2801
2	22502	NUT M16X1	1	170M.3-1	1L003000001	2802
3	22503	WASHER PLATE 16	1	170M.3-2	1L003000002	2803
4	22504	KEY WOODRUFF	1	170M.3-3	1L003000003	2804
5	27241	PISTON	1	LH180MQ.3-6	1L003000006	2805
6	27242	PISTON RING SET	1	LH180MQ.3-7/LH	1L003000007	2806
7	27240	PISTON PIN	1	LH180MQ.3-5	1L003000005	2807
8	27239	CLIP	2	LH180MQ.3-4	1L003000004	2808

21 VALVE

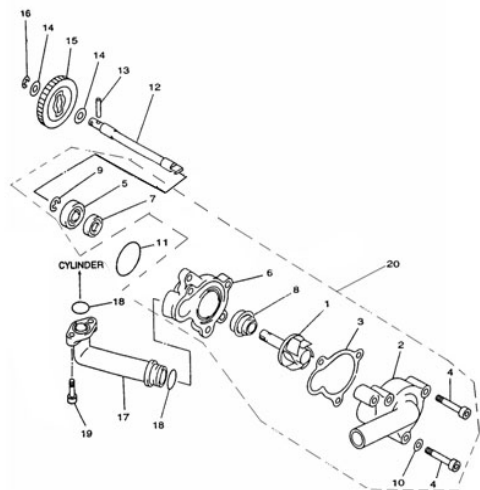


REF. No.	PART NO.	DESCRIPTION	Q'TY	图号	PART NO.	
1	27222	INTAKE VALVE	1	LH180MQ.12-11	1L012000011	2901
2	27223	EXHAUST VALVE	1	LH180MQ.12-3	1L012000003	2902
3	22603	SEAT SPRING VALVE	2	170M.12-12	1L012000012	2903
4	22604	SPRING VALVE INNER	2	170M.12-10	1L012000010	2904
5	22605	SPRING VALVE OUTER	2	170M.12-9	1L012000009	2905
6	22606	SEAL VALVE STEM	2	170M.12.1	1L012010000	2906
7	22607	RETAINER SPRING VAL'	2	170M.12-5	1L012000005	2907
8	22608	COTTER VALVE	4	170M.12-4	1L012000004	2908
9	22609	ROCKER ARM VALVE	2	170M.12.2	1L012020000	2909
10	22610	EXHAUST ROCKER SHA	1	170M.12-6	1L012000006	2910
11	22611	INTAKE ROCKER SHAFT	1	170M.12-8	1L012000008	2911
12	22612	O-RING 9X2	1	170M.12-7	1L012000007	2912
13	22613	ADJUSTING SCREW VAI	2	170M.12-2	1L012000002	2913
14	22614	NUT M6X0.75	2	170M.12-1	1L012000001	2914



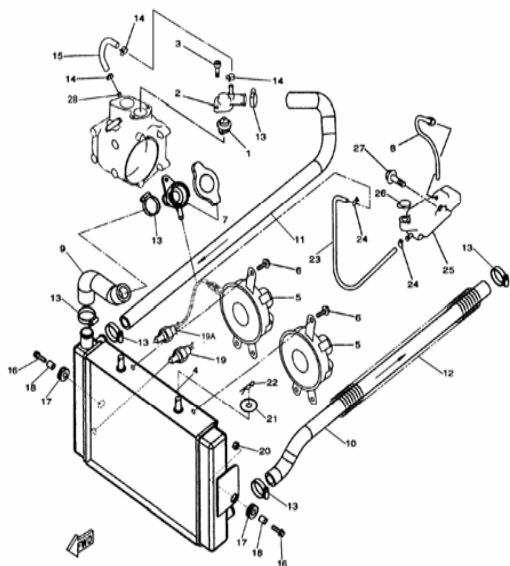
REF. No.	PART NO.	DESCRIPTION	Q'TY	图号	PART NO.	
1	27234	CAMSHAFT ASSY1	1	LH180MQ.2	1L002000000	3001
2	10012	BEARING	1	GB276	B1316105	3002
3	10013	BEARING(B6202Z)	1	GB276	B13160202	3003
4	27237	PLATE	1	LH180MQ.2-3	1L002000003	3004
5	10086	BOLT M6X12	2	GB5783	B01010612	3005
6	27236	LOCK WASHER	1	LH180MQ.2-2	1L002000002	3006
7	22707	CAM CHAIN SPROCKET	1	170M.2-4	1L002000004	3007
8	10024	DOWEL PIN B4X10	1	GB119	B03124010	3008
9	10025	BOLT M10X1.25X25	1	GB5786	B01021025A	3009
10	22710	WASHER PLATE 10	1	170M.2-6	1L002000006	3010
11	22711	BREATHER PLATE2	1	170M.2-5	1L002000005	3011
12	27201	CHAIN	1	180MQ.14.2		3012
13	27203	GUIDE STOPPER1	1	180MQ.14.4		3013
14	27202	GUIDE STOPPER2	1	180MQ.14.3		3014
15	22715A	CAM CHAIN TENSIONER	1	170M.14.1a	1L01401a0000	3015
16	22716	GASKET TENSIONER C/	1	170M.14-1	1L014000001	3016
17	10036	SOCKET HEAD BOLT M6	2	GB70	B02010614	3017
18	22718	CHAIN TENSIONER PIVC	1	170M.14-2	1L014000002	3018
19	22719	O-RING 14.5X1.8	1	170M.14-3	1L014000003	3019
20	27235	CAMSHAFT	1	LH180MQ.2-1	1L002000001	3020

23 WATER PUMP



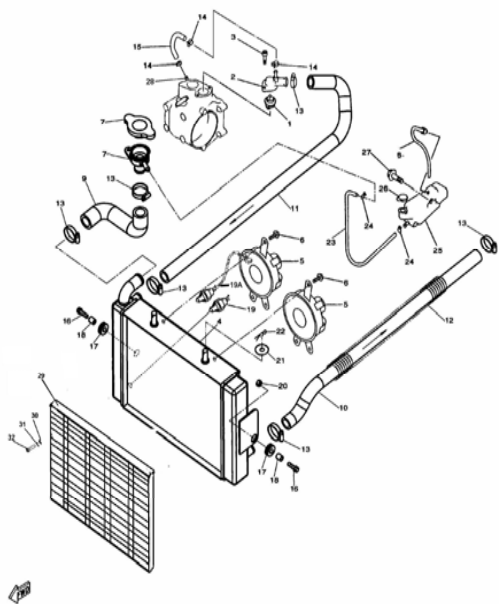
REF. No.	PART NO.	DESCRIPTION	Q'TY	图号	PART NO.	
1	22801	IMPELLER SHAFT ASSY	1	170M.15.4	1L015040000	3101
2	22802	HOUSING COVER	1	170M.15-2	1L015000002	3102
3	22803	GASKET HOUSING COV	1	170M.15-5	1L015000005	3103
4	10041	SOCKET HEAD BOLT M€	3	GB70-M6X35	B02010635	3104
5	10043	BEARING	1	GB276	B131E110	3105
6	22806	WATER PUMP HOUSING	1	170M.15-3	1L015000003	3106
7	22807	OIL SEAL 10X21X5	1	170M.15.1	1L015010000	3107
8	22808	MECHANICAL SEAL	1	170M.15.2	1L015020000	3108
9	10044	CIRCLIP 9	1	170M.15-6	1L015000006	3109
10	22810	GASKET 6	1	170M.1-9	1L001000009	3110
11	10049	O-RING 33.5X2.65	1	GB3452.1	B121335265	3111
12	27230	SHAFT	1	LH180MQ.15-1	1L015000001	3112
13	10070	DOWEL PIN C3X22	1	GB119	B03123022	3113
14	23814	WASHER PLATE 8	2	170M.8-6	1L008000006	3114
15	22815	IMPELLER SHAFT GEAR	1	170M.15-4	1L015000004	3115
16	10072	CIRCLIP 8	1	GB894.1-8	B036208	3116
17	27229	JOINT	1	LH180MQ.15.3.1	1L015030100	3117
18	10082	O-RING 15.5X2.5	2	GB3452.1	B121155250	3118
19	10083	SOCKET HEAD BOLT M€	2	GB70	B02010615	3119
20	27227	WATER PUMP ASSY	1	LH180MQ.15	1L015000000	3120

24 RADIATOR (FOR 2WD)



REF. No.	PART NO.	DESCRIPTION	Q'TY	图号	PART NO.	
1	22901	THERMOSTAT	1	170M.11.7.2	1L011070200	3201
1	22901A	THERMOSTAT(ONLY FO	1	170M.11.7.2a	1L0110702A00	3202
2	22902	THERMOSTAT COVER	1	170M.11.7.1	1L011070100	3203
3	10085	SOCKET HEAD BOLT M6	2	GB70	B02010625	3204
4	22904F	RADIATOR ASSY	1	170M-A.11.3b	1L11103b0000	3205
5	22905	BLOWER ASSY	2	170M-A.11.2	1L111020000	3206
6	10087	FLANGE BOLT M6X9	6	GB5787	B01040609	3207
7	22907A	SAFETY VALVE	1	170M.11.1.1	1L011010100	3208
8	23028	PIPE 2	1	170M.11.6-2	1L011060002	3209
9	22909F	RADIATOR FILLER HOSI	1	170M-A.11-2a	1L111000002a	3210
10	22910	RETURN HOSE	1	170M-A.11-14	1L111000014	3211
11	22911F	FEED HOSE	1	170M-A.11-11	1L111000011	3212
12	22912	COMPRESSION SPRING	2	170M-A.11-10	1L111000010	3213
13	22913	HOSE CLAMP1	6	GB/T15001	B25114/32	3214
14	22914	HOSE CLAMP2	2	170M.1-7	1L001000007	3215
15	22915	HOSE2	1	170M.11-13A	1L011000013A	3216
16	10110	BOLT M6X20	2	GB/T5787	B01040620	3217
17	22917	RADIATOR SIDE SUPT C	2	170M.11-5	1L011000005	3218
18	22918	COLLAR	2	170M.11-6	1L011000006	3219
19	22919	THERMOSTAT SWITCH	1	170M.11.4	1L011040000	3220
19A	22919A	THERMOSTAT SWITCH	1	170M.11.4A	1L01104A0000	3221
20	10004	NUT M6	2	GB/6187	B015506	3222
21	10019	WASHER PLATE 10	2	GB97	B025310	3223
22	10094	CLIP 2X20	2	GB91	B03112020	3224
23	22923	PIPE 1	1	170M.11.6-5	1L011060005	3225
24	22924	CLIP	2	170M.11.6-4	1L011060004	3226
25	22925	TANK RECOVERY	1	170M.11.6-3	1L011060003	3227
26	22926	CAP	1	170M.11.6.1	1L011060100	3228
27	10140	BOLT FLANGE M6X12	1	GB/T5787-M6X12	B01040612	3229
28	23001	JOIN	1	170M.1.1-5	1L011010005	3230

24 RADIATOR (FOR 4WD)

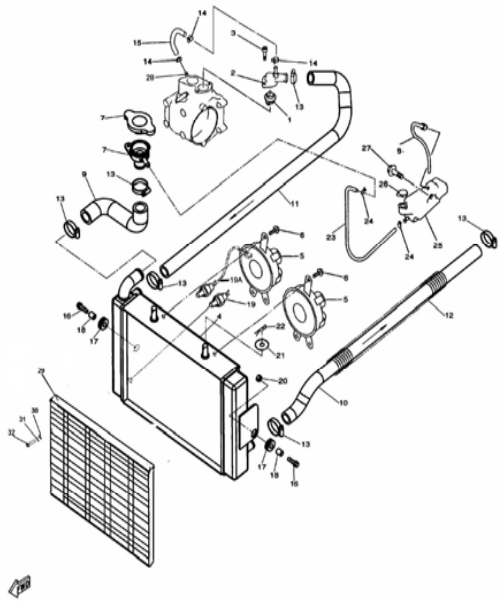


REF. No.	PART NO.	DESCRIPTION	Q'TY	图号	PART NO.	
1	22901	THERMOSTAT	1	170M.11.7.2	1L011070200	3301
1	22901A	THERMOSTAT(ONLY FO	1	170M.11.7.2a	1L0110702A00	3302
2	22902	THERMOSTAT COVER	1	170M.11.7.1	1L011070100	3303
3	10085	SOCKET HEAD BOLT M6	2	GB70	B02010625	3304
4	22904T	RADIATOR ASSY (THICK	1	170M-A.11.3c	1L11103c0000	3305
5	22905	BLOWER ASSY	2	170M-A.11.2	1L111020000	3306
6	10087	FLANGE BOLT M6X9	6	GB5787	B01040609	3307
7	22907A	SAFETY VALVE	1	170M.11.1.1	1L011010100	3308
8	23028	PIPE 2	1	170M.11.6-2	1L011060002	3309
9	22909T	RADIATOR FILLER HOSE	1	170M-A.11-2b	1L111000002b	3310
10	22910T	RETURN HOSE	1	170M-A.11-14a	1L111000014b	3311
11	22911F	FEED HOSE	1	170M-A.11-11	1L111000011	3312
12	22912	COMPRESSION SPRING	2	170M-A.11-10	1L111000010	3313
13	22913	HOSE CLAMP1	6	GB/T15001	B25114/32	3314
14	22914	HOSE CLAMP2	2	170M.1-7	1L001000007	3315
15	22915	HOSE1	1	170M.11-13A	1L011000013A	3316
16	10110	BOLT M6X20	2	GB/T5787	B01040620	3317
17	22917	RADIATOR SIDE SUPT C	2	170M.11-5	1L011000005	3318
18	22918	COLLAR	2	170M.11-6	1L011000006	3319
19	22919	THERMOSTAT SWITCH	1	170M.11.4	1L011040000	3320
19A	22919A	THERMOSTAT SWITCH	1	170M.11.4A	1L01104A0000	3321
20	10004	NUT M6	2	GB/6187	B015506	3322
21	10019	WASHER PLATE 10	2	GB97	B025310	3323
22	10094	CLIP 2X20	2	GB91	B03112020	3324
23	22923	PIPE 1	1	170M.11.6-5	1L011060005	3325
24	22924	CLIP	2	170M.11.6-4	1L011060004	3326
25	22925	TANK RECOVERY	1	170M.11.6-3	1L011060003	3327
26	22926	CAP	1	170M.11.6.1	1L011060100	3328

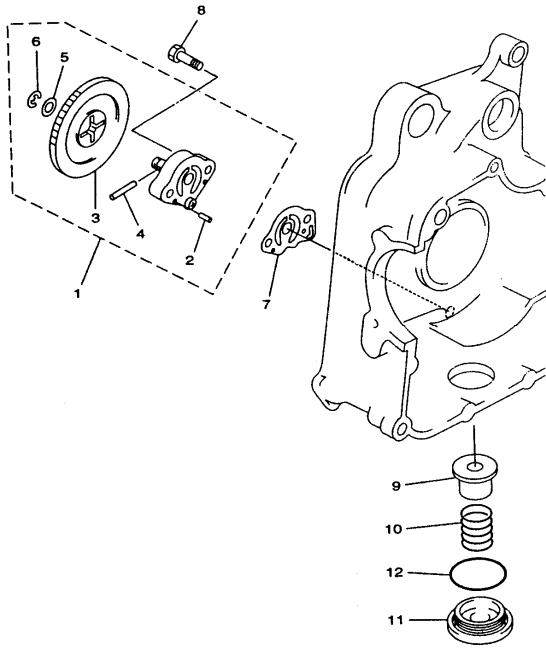
24 RADIATOR (FOR 4WD)

29A

REF. No.	PART NO.	DESCRIPTION	Q'TY	图号	PART NO.	
27	10140	BOLT FLANGE M6X12	1	GB/T5787-M6X12	B01040612	3401
28	23001	JOIN	1	170M.1.1-5	1L001010005	3402
29	23002	FENDER (USED FOR 5	1	170M-A.11.3d.1	1L11103d0100	3403
30	10006	WASHER 6 (USED FOR	4	GB/T97	B025306	3404
31	10308	SPRING WASHER (USE	4	GB/T93	B025106	3405
32	10423	BOLT FLANGE M6X14 (4	GB/T5783	B01010614	3406



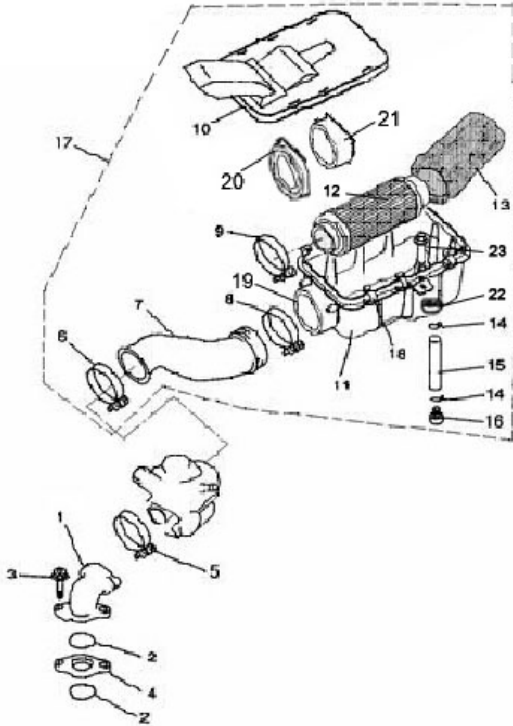
25 OIL PUMP



30A

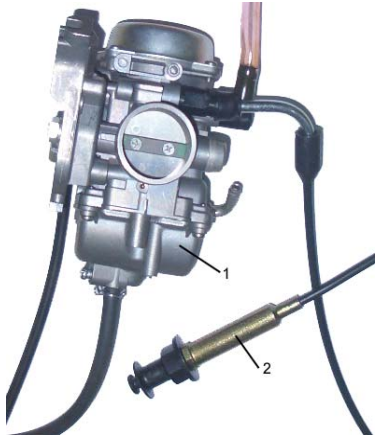
REF. No.	PART NO.	DESCRIPTION	Q'TY	图号	PART NO.	
1	27245	OIL PUMP ASSY	1	LH180MQ.8	1L008000000	3501
2	10096	DOWEL PIN 3X12	2	GB309-3X12	B1510312	3502
3	23103	GEAR PUMP DRIVEN	1	170M.8-8	1L008000008	3503
4	10097	DOWEL PIN C3X22	1	GB309-3X22	B1510322	3504
5	23814	WASHER PLATE	1	170M.8-6	1L008000006	3505
6	10130	CIRCLIP	1	GB896-6	B036306	3506
7	23107	GASKET	1	170M.8-1	1L008000001	3507
8	10098	SCREW M6X25	2	GB191-M6X25	B02080625	3508
9	23109	OIL STRAINER	1	170M.4.6	1L004060000	3509
10	23110	COMPRESSION SPRING	1	170M.4-15	1L004000015	3510
11	23111	DRAIN PLUG	1	170M.4-14	1L004000014	3511
12	23112	O-RING 36X3.5	1	170M.4-13	1L004000013	3512

26 AIR CLEANER



REF. No.	PART NO.	DESCRIPTION	Q'TY	图号	PART NO.
1	27219	JOINT CARBURETOR(FOR USA)		LH180MQ.1.1	3601
1	27220	JOINT CARBURETOR(FC)	1	LH180MQ.1.1a	3602
2	23202	O-RING 35X2	2	170M.17-13	1L017000013 3603
3	10085	SCOKET HEAD BOLT M6	2	GB70	B02010625 3604
4	27225	JOINT	1	LH180MQ.13-1	3605
5	23205	HOSE CLAMP D	1	170M.17.4	1L017040000 3606
6	23206	HOSE CLAMP C	1	LH260ATV.16.6	8E016060000 3607
7	27286	AIR CLEANER JOINT	1	LH400ATV.16-2	3608
8	23208	HOSE CLAMP B	1	LH260ATV.16.4	8E016040000 3609
9	23209	HOSE CLAMP A	1	LH260ATV.16.2	8E016020000 3610
10	23210	COVER AIR CLEANER	1	LH260ATV.16.5	8E016050000 3611
11	23211	AIR CLEANER CASE1	1	LH260ATV.16.3	8E016030000 3612
12	23212	ELEMENT COMP AIR CL	1	LH260ATV.16.1	8E016010000 3613
13	23213	FILTER COVER	1	LH260ATV.16.7	8E016070000 3614
14	23214	CLIP	2	LH260ATV.16-4	8E016000004 3615
15	23215	HOSE	1	LH260ATV.16-3	8E016000003 3616
16	23216	PLUG	1	LH260ATV.16-5	8E016000005 3617
17	23217	AIR CLEANER ASSY	1	LH260ATV.16	8E016000000 3618
18	23218A	AIR CLEANER COVER C	6	LH260ATV.16-10	8E016000010 3619
19	25587	JOINT, AIR CLEANER	1	LH260ATV.16-7	8E016000007 3620
20	25588	WASHER, AIR CLEANER	1	LH260ATV.16-8	8E016000008 3621
21	25589	JOINT FIXED, AIR CLEANER	1	LH260ATV.16-9	8E016000009 3622
22	25600	RUBBER WASHER	2	LH260ATV.16-6	8E016000006 3623
23	10182	BOLT M6X30	2	GB/T16674.1	B01040630 3624

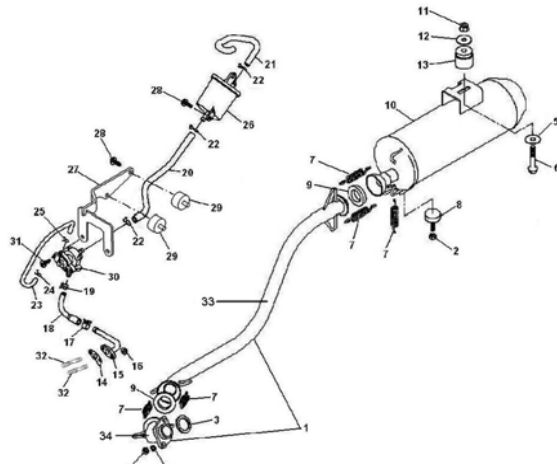
27 CARBURETOR



REF. No.	PART NO.	DESCRIPTION	Q'TY	图号	PART NO.	
1	27224	CARBURETOR ASSY	1	LH180MQ.13.2	1L013020000	3701
2	70180	LINE ASSY	1	LH2V70.14.7		3702

28 EXHAUST (FOR EUROPE)

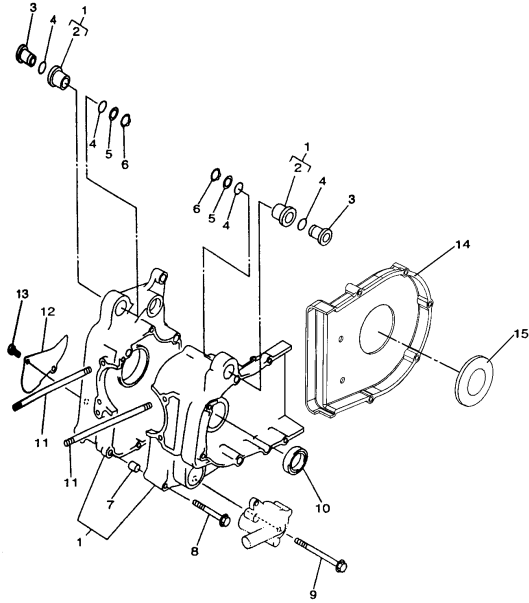
34



REF. No.	CODE	DESCRIPTION	Q'TY	PART No.	PART No.	
1	25200	EXHAUST PIPE	1	LH260ATV-B.14.:8K014020000	3801	
2	10099	NUT M8	4	GB/T6170	B015808	3802
3	23403	EXHAUST PIPE GASKET	1	170M.19.3	1L019030000	3803
4	10106	WASHER 8	2	GB/T93	B025108	3804
5	10117	WASHER PLATE 10	1	GB/T96	B025210	3805
6	27209	BOLT FLANGE M10X1.25	1	GB/T16674.1	B01041062A	3806
7	23408	SPRING	5	LH260ATV.15-1	8E015000001	3807
8	25202	MUFFLER SUPPORT BO	1	LH260ATV-B.14.:8K014040000	3808	
9	25222	JOUNT	1	LH260ATV-B.14.:8K014030000	3809	
10	27351	MUFFLER	1	LH400ATV-2B.14.2	3810	
11	10015	NUT M10X1.25	1	GB/T6187	B015510A	3811
12	10117	WASHER PLATE 10	1	GB/T96	B025210	3812
13	27352	MUFFLER SUPPORT	1	LH400ATV-2B.15.2	3813	
14	43510	WASHER	1	170M.20-10	1L020000010	3814
15	43511A	HOSE	1	170M-A.20.3a	1L12003A0000	3815
16	10004	NUT M6	2	GB/T6187	B015506	3816
17	43513	CLIP 16	1	170M.20-9	1L020000009	3817
18	43512	HOSE C	1	170M.20-8	1L020000008	3818
19	43514	CLIP 13	1	170M.20-4	1L020000004	3819
20	43525	HOSE B	1	170M.20-3	1L020000003	3820
21	43518	HOSE A	1	170M.20-1	1L020000001	3821
22	43519	HOSE CLAMP 16	3	170M.20-2	1L020000002	3822
23	43520	PIPE	1	170M.20-7	1L020000007	3823
24	43521	CLIP 9	1	170M.20-6	1L020000006	3824
25	43522	CLIP 7.6	1	170M.20-5	1L020000005	3825
26	43523	FILTER	1	170M.20.1	1L020010000	3826
27	33227	VALVE BRACKET	1	170M-A.20.4a	1L12004a0000	3827
28	10140	BOLT M6X12	4	GB/T16674.1	B01040612	3828
29	20316	RUBBER PAD	8	LH260ATV.1.15	8E001150000	3829
30	43516	VALVE	1	170M.20.2	1L020020000	3830
31	10263	BOLT M6X20	2	GB/T5789	B01030620	3831
32	10263	BOLT	2	170M.20-11	1L020000011	3832
33	25594	EXHAUST PIPE 1	1	LH260ATV-B.14.:8K014020100	3833	
34	25595	EXHAUST PIPE 2	1	LH260ATV-B.14.:8K014020200	3834	

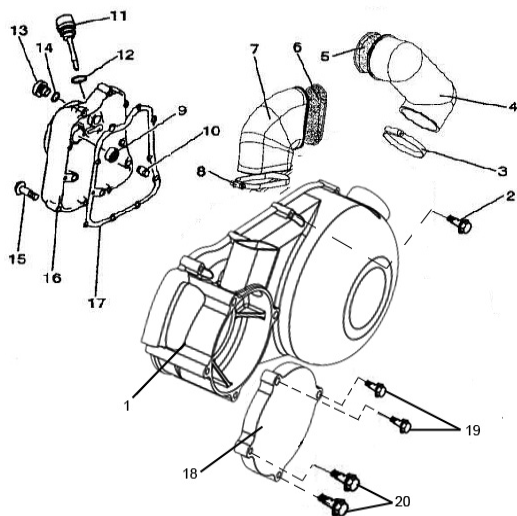
36

29 CRANKCASE



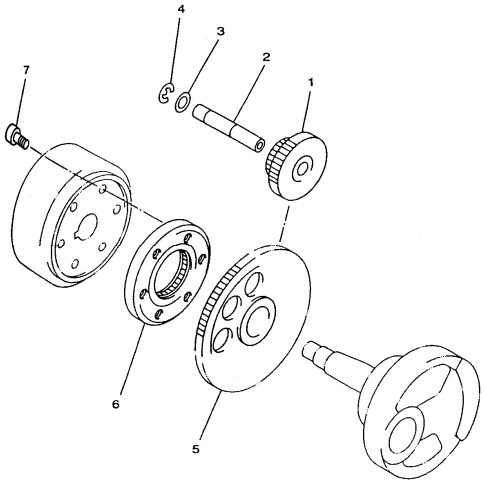
REF. No.	PART NO.	DESCRIPTION	Q'TY	图号	PART NO.	
1	27204	CRANKCASE ASSY	1	180MQ.4		3901
2	23502	HOLDER	2	170M.4.7	1L004070000	3902
3	23503	COLLAR	2	170M.4-17	1L004000017	3903
4	23504	O-RING16X2.5	4	170M.4-16	1L004000016	3904
5	23505	WASHER PLATE 16	2	170M.4-18	1L004000018	3905
6	10121	CIRCLIP 16	2	GB894.1-16	B036216	3906
7	22422	DOWEL PIN 10X14	2	1E52FM010011	1E001001100	3907
8	23508	FLANGE BOLT M6X70	4	170M.4-5	1L004000005	3908
9	23509	FLANGE BOLT M6X100	5	153FM.16-9	1H016000009	3909
10	23510	OIL SEAL 30X45X5	1	170M.4.3	1L004030000	3910
11	27205	STUD BOLT M8X253.6	4	180MQ.4-3		3911
12	23512	COVER CRANKCASE RI	1	170M.4-12	1L004000012	3912
13	10036	SOCKET HEAD BOLT M6	2	GB70	B02010614	3913
14	27232	REAR INSIDE COVER	1	LH180MQ.18.2-1		3914
15	23515	AIRPROOF COVER	1	LH260ATV.14.1-2	8E014010002	3915

30 LEFT&RIGHT COVER



REF. No.	PART NO.	DESCRIPTION	Q'TY	图号	PART NO.
1	27231	COVER CRANKCASE LE	1	LH180MQ.18.1	4001
2	10177	FLANGE BOLT M6X40	6	GB/T16674.1	4002
3	23603	HOSE CLAMP B	1	LH260ATV.14.2.48E014020400	4003
4	23604	JOINT A	1	LH260ATV.14.2.38E014020003	4004
5	23605	AIR STRAINER B	1	LH260ATV.14.2.38E014020300	4005
6	23606	AIR STRAINER A	1	LH260ATV.14.2.28E014020200	4006
7	23607	JOINT B	1	LH260ATV.14.2.8E014020001	4007
8	23608	HOSE CLAMP A	1	LH260ATV.14.2.18E014020100	4008
9	23609	OIL SEAL	1	170M.5.1	1L005010000 4009
10	22422	DOWEL PIN 10X14	4	1E52FM010011	1E001001100 4010
11	23611	OIL PLUG	1	170M.5-5	1L005000005 4011
12	10122	O-RING 18X2.65	1	GB3452.1	B121180265 4012
13	23613	OIL PLUG	1	170M.5-4	1L005000004 4013
14	10123	O-RING 14X2.65	1	GB3452.1	B121140265 4014
15	23615	FLANGE BOLT M6X40	15	170M.4-21	1L004000021 4015
16	23616	CAP COVER	1	170M.5-1	1L005000001 4016
	23616A	CAP COVER (USE WITH	1	170M.5-1a	1L005000001a 4017
17	23617	CRANKCASE COVER GA	1	170M.5-2	1L005000002 4018
18	27233	FRONT COVER	1	LH180MQ.18-1	4019
19	10110	BOLT M6X20	2	GB/T16674.1	4020
20	27208	BOLT M6X110	2	GB/T16674.1	4021

31 STARTER

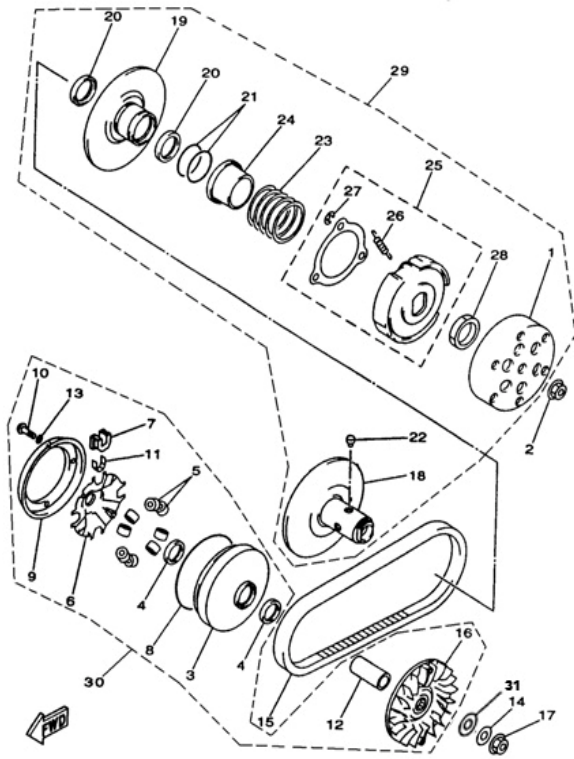


36

REF. No.	PART NO.	DESCRIPTION	Q'TY	图号	PART NO.	
1	23701	GEAR IDLER	1	170M.7.1	1L007010000	4101
2	23702	SHAFT	1	170M.7-2	1L007000002	4102
3	23703	WASHER 12	1	170M.7-1	1L007000001	4103
4	10129	CIRCLIP 12	1	GB894.1	B036212	4104
5	23705	GEAR REDUCTION	1	170M.7.2	1L007020000	4105
6	23706	STARTER CLUTCH	1	170M.7.3	1L007030000	4106
7	10131	SOCKET HEAD BOLT M8	3	GB70	B02010816	4107

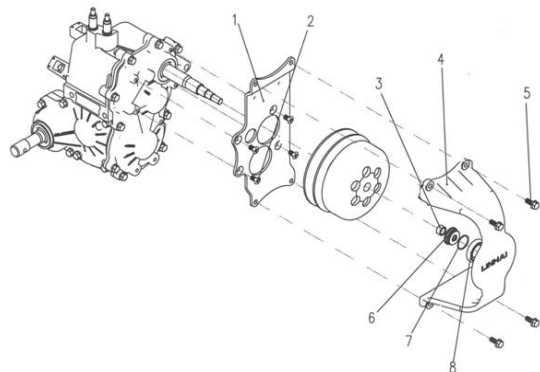
32 CLUTCH

37



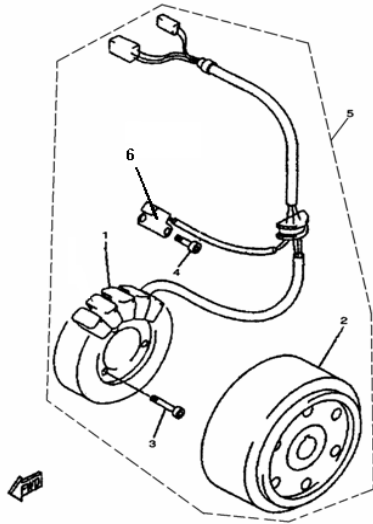
REF. No.	PART NO.	DESCRIPTION	Q'TY	图号	PART NO.	
1	27251	CLUTCH HOUSING COM	1	LH180MQ.9.2.3		4201
2	23802	NUT M14X1	1	170M.9-2	1L009000002	4202
3	23803	PRIMARY SLIDING SHEA	1	170M.9.1.1	1L009010100	4203
4	23804	OIL SEAL	2	170M.9.1-5	1L009010005	4204
5	23805	WEIGHT	8	170M.9.1.2	1L009010200	4205
6	27246	CAM	1	LH180MQ.9.1-4		4206
7	23807	SLIDER	4	170M.9.1-1	1L009010001	4207
8	23808	O-RING 118X2.5	1	170M.9.1-6	1L009010006	4208
9	23809	STOPPER	1	170M.9.1-2	1L009010002	4209
10	10132	PAN HEAD SCREW M4X	4	GB818	B02020412	4210
11	23811	SPACER 1	4	170M.9.1-3	1L009010003	4211
12	27252	COLLAR	1	LH180MQ.9-1		4212
13	23813	WASHER PLATE 4	4	170M.9.1-8	1L009010008	4213
14	23814	WASHER PLATE 14	1	170M.9-3	1L009000003	4214
15	23815	V-BELT	1	170M.9-4	1L009000004	4215
16	27247	SHEAVE PRIMARY FIXE	1	LH180MQ.9.1-7		4216
17	23802	NUT M14X1	1	170M.9-2	1L009000002	4217
18	23818	SECONDARY FIXED SHE	1	170M.9.2.1.1	1L0090201010	4218
				170M.9.2.1-5	1L009020105	4219
				170M.9.2.1-6	1L009020106	4220
				170M.9.2.1-7	1L009020107	4221
				170M.9.2.1-8	1L009020108	4222
19	23819	SECONDARY SLIDING S	1	170M.9.2.1.2	1L0090201020	4223
20	23820	OIL SEAL	2	170M.9.2.1-4	1L009020104	4224
21	23821	O-RING 45X1.8	2	170M.9.2.1-3	1L009020103	4225
22	23822	PIN GUIDE	4	170M.9.2.1-2	1L009020102	4226
23	23923	COMPRESSION SPRING	1	170M.9.2-1	1L009020001	4227
24	23924	SEAT SECONDARY SPR	1	170M.9.2.1-1	1L009020101	4228
25	27249	CLUTCH CARRIER ASSY	1	LH180MQ.9.2.2		4229
26	27250	CLUTCH WEIGHT SPRIN	3	LH180MQ.9.2.2-4		4230
27	10133	CIRCLIP 8	3	GB896-8	B036308	4231
28	23928	NUT M36X1.5	1	170M.9.2-2	1L009020002	4232
29	27248	DRIVEN ASSY COMPLE	1	LH180MQ.9.2		4233
30	27254	DRIVE ASSY COMPLET	1	LH180NMQ.9.1		4234
31	27253	WASHER PLATE 21.5	1	LH180MQ.9-5		4235

HIGH-POWER CLUTCH STAND ASSY



REF. No.	PART NO.	DESCRIPTION	Q'TY	图号	PART NO.	
1	23941	BRACKET 1	1	LH260ATV.14.3-18E014030100	4301	
2	10424	SWCREW M8X12	4	GB/T819	B02030812	4302
3	23942	SMALL SPACER	1	LH260ATV.14.3-28E014030002	4303	
4	23943	BRACKET 2	1	LH260ATV.14.3-8E014030001	4304	
5	10425	BOLT M8X22	4	GB/T16674.1	B01040822	4305
6	23944	SPACER	1	170M.18-6	1L018000006	4306
7	10321	O-RING 26.5X1.8	1	GB/T3452.1	B121265180	4307
8	10426	BEARING 6906Z	1	GB/T276	B1316906	4308

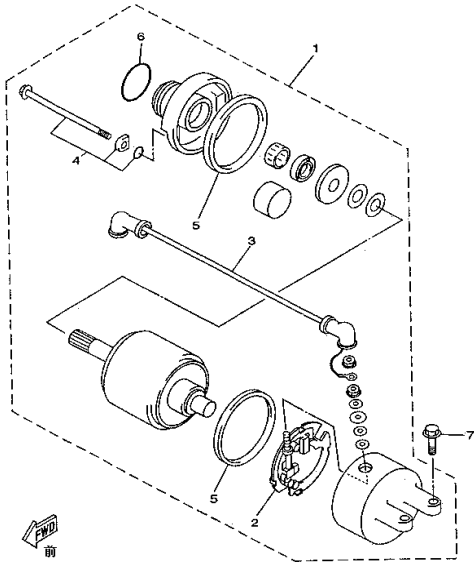
33 GENERATOR



39 (1)

REF. No.	PART NO.	DESCRIPTION	Q'TY	图号	PART NO.	
1	24001	STATOR ASSY (THE C	1	170M.6.1.2	1L006010200	4401
2	27244	ROTOR ASSY (GREE	1	LH180MQ.6.1.1		4402
3	10134	SOCKET HEAD BOLT M€	3	GB70	B02010525	4403
	10085	SOCKET HEAD BOLT M€	3	GB70	B02010625	4404
4	10135	SOCKET HEAD BOLT M€	2	GB70	B02010512	4405
5	27243	GENERATOR ASSY	1	LH180MQ.6.1		4406
6	24006	PICK UP COIL	1	170M.6.1.2.2	1L0060102020(4407

34 STARTING MO'

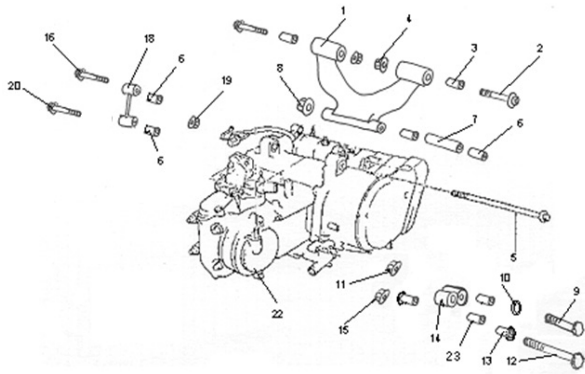


40

REF. No.	PART NO.	DESCRIPTION	Q'TY	图号	PART NO.	
1	24101	STARTING MOTOR ASS'	1	170M.16	1L016000000	4501
2	24102	BRUSH HOLD ASSY	1	170M.16.4	1L016040000	4502
3	24103	CORD,STARTER MOTOF	1	170M.16.2	1L016020000	4503
4	24104	BOLT	2	170M.16-2	1L016000002	4504
5	24105	GASKET	2	170M.16-3	1L016000003	4505
6	24106	O-RING 24.5X3	1	170M.16-1	1L016000001	4506
7	24107	FLANGE BOLT M6X25	2	170M.4-6	1L004000006	4507

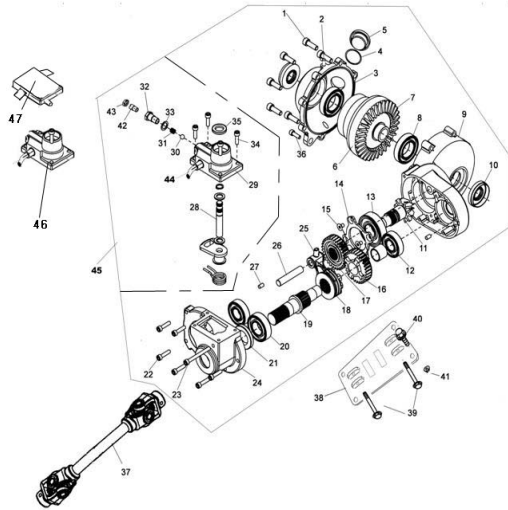
41

35 ENGINE



REF. No.	PART NO.	DESCRIPTION	Q'TY	图号	PART NO.	
1	27291	FRONT ENGINE MOUNT	1	LH400ATV.20.1.1		4601
2	24202	ENGINE BRACKET BOLT	2	LH260ATV.20.2	8E020000002	4602
3	24203	BUSHING ENGIN BRACKET	2	LH260ATV.20.1.2	8E020010200	4603
4	10136	NUT M12X1.25	2	GB/T6187	B015512A	4604
5	27294	ENGINE MOUNTING BOLT	1	LH400ATV.20-2		4605
6	24206	BUSHING ENGIN BRACKET	4	LH260ATV.20.1.3	8E020010300	4606
7	27293	SPACER ENGINE BRACKET	1	LH400ATV.20-1	2W006010001	4607
8	10015	NUT M10X1.25	1	GB/T6187	B015510A	4608
9	10016	BOLT M10X1.25X55	1	GB/T5785	B01071055A	4609
10	27295	WASHER	1	LH400ATV.20-3		4610
11	10015	NUT M10X1.25	1	GB/T6187	B015510A	4611
12	10137	BOLT M8X120	1	GB/T5782	B010608120	4612
13	24213	LEFT SPACER	2	LH260ATV.20-3	8E020000003	4613
14	24214	STAY ENGINE LEFT	1	LH260ATV.20.2	8E020020000	4614
15	10079	NUT M8	1	GB/T6187	B015508	4615
16	10138	BOLT M10X1.25X68	1	GB/T5785	B01071068A	4616
18	24218	STAY ENGINE RIGHT	1	LH260ATV.20.3	8E020030000	4617
19	10015	NUT M10X1.25	1	GB/T6187	B015510A	4618
20	10139	BOLT M8X65	1	GB/T5782	B01060865	4619
22	27218	ENGINE ASSY	1	LH180MQ		4620
23	24223	BUSHING	2	LH260ATV.20.2.2	8E020020200	4621

36 FRONT GEAR-BOX (FOR 4WD)

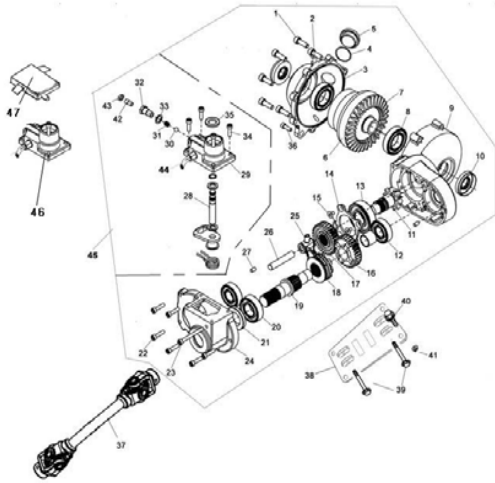


42

REF. No.	PART NO.	DESCRIPTION	Q'TY	图号	PART NO.	
1	10059	BOLT M8X25	7	GB/T5787	B01040825	4701
2	24302	VENT FITTING	1	LH260ATV.12.3	8E012030000	4702
3	24303	LEFT COVER	1	LHTY.1-1	T1000001	4703
4	10122	O-RING 18X2.65	1	GB/T3452.1	B121180265	4704
5	24305	DIFF FILLERPLUG	1	153FM.16-3	1H016000003	4705
6	24306	FOC BODY	1	LHTY.1.1	T1010000	4706
7	24307	BEVEL CROWNWHEEL	1	LHTY.1-2	T1000002	4707
8	10202	BEAR 6006	2	GB/T276	B1316006	4708
9	24309	DIFFCASE RHS	1	LHTY.1-3	T1000003	4709
10	24310	SEAL SDD722X48X11	2	LHTY.1.2	T1020000	4710
11	24311	CONICAL WITH HELICAL	1	LHTY.1-4	T1000004	4711
12	10062	BEAR 6204	2	GB/T276	B1316204	4712
13	10074	BEAR 6305ST	1	GB/T276	B1316305	4713
14	24314	CASEBEAR RETAINER	1	LHTY.1-5	T1000005	4714
15	10287	SCREW M6X12	4	GB/T2673	B02060612	4715
16	24316	DIFF GEAR	1	LHTY.1.3	T1030000	4716
17	24317	DIFF GEAR DRIVEN	1	LHTY.1-6	T1000006	4717
18	24318	SPLINED DOG	1	LHTY.1-7	T1000007	4718
19	24319	DIFF INPUTSHAFT A	1	LHTY.1-8	T1000008	4719
20	10267	BEAR 6205	1	GB/T276	B1316205	4720
21	24321	SEAL TC25X47X7	1	LHTY.1.4	T1040000	4721
22	10182	BOLE M6X30	6	GB/T5787	B01040630	4722
23	10160	BOLE M6X70	1	GB/T5787	B01040670	4723
24	24324	REAR COVER	1	LHTY.1-9	T1000009	4724
25	24325	DIFF SELECTOR FORK	1	LHTY.1-10	T1000010	4725
26	24326	SELECTOR RAIL	1	LHTY.1-11	T1000011	4726
27	24327	PIN	1	LHTY.1-12	T1000012	4727
28	24328	SELECTOR SHAFT	1	LHTY.1.5	T1050000	4728

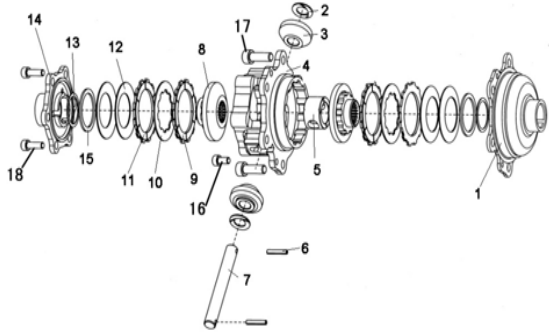
43

36 FRONT GEAR-BOX (FOR 4WD)



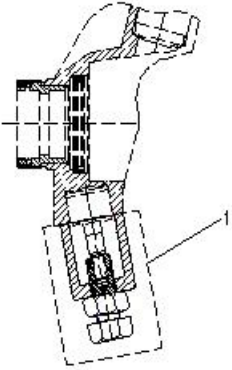
REF. No.	PART NO.	DESCRIPTION	Q'TY	图号	PART NO.	
29	24429	SELECTOR COVER	1	LHTY.1-13	T1000013	4801
30	10203	STEEL BALL 8	1	GB/T308	B14108	4802
31	24431	SPRING	1	LHTY.1-14	T1000014	4803
32	24433	INDENT BALL INSERT	1	LHTY.1-15	T1000015	4804
33	24432	WASHER	1	LHTY.1-16	T1000016	4805
34	10183	BOLT M6X16	4	GB/T5787	B01040616	4806
35	24435	SEAL TC12X28X7	1	LHTY.1.6	T1060000	4807
36	10168	BOLT M8X16	1	GB/T5787	B01040816	4808
37	24437	FRONT PROPSHAFT AS	1	LH260ATV.13.3	8E013030000	4809
38	24438	FRONT GEAR-BOX BACI	1	LH260ATV.1.16	8E001160000	4810
39	10208	BOLT M10X1.25X43	2	GB/T5787	B01041043A	4811
40	10163	BOLT M10X1.25X20	4	GB/T5787	B01041020A	4812
41	10209	NUT M10	6	GB/T6184	B015310	4813
42	10355	BOLT M8X1X16	1	GB/T73-85	B02070816	4814
43	10356	NUT M8X1	1	GB/T6173-86	B016008	4815
44	24444	4WD AND 2WD SWITCH	1	LHTY.1.7	T1070000	4816
45	24445	FRONT GEAR-BOX	1	LHTY.1	T1000000	4817
46	24446	2WD/4WD SHIFT MOTOF	1	LHTY.1.8.1	T1080100	4818
47	24447	2WD/4WD SHIFT ELECT	1	LHTY.1.8.2	T1080200	4819

39 FOC BODY (FOR 4WD)



REF. No.	PART NO.	DESCRIPTION	Q'TY	图号	PART NO.	
1	24701	LARGER COVER	1	LHTY.1.1-14	T1010014	4901
2	24702	WASHER	2	LHTY.1.1-2	T1010002	4902
3	24703	PINION	2	LHTY.1.1-3	T1010003	4903
4	24704	HOUSING	1	LHTY.1.1-1	T1010001	4904
5	24705	CENTER SPACER	1	LHTY.1.1-5	T1010005	4905
6	10003	ROLL PIN	2	GB/T879	B03134022	4906
7	24707	CENTER PIN	2	LHTY.1.1-4	T1010004	4907
8	24708	BEVEL GEAR	2	LHTY.1.1-7	T1010007	4908
9	24709	CLUTCH PLATE OUTER	2	LHTY.1.1-12	T1010012	4909
10	24710	CLITCH PLATE INNER	2	LHTY.1.1-13	T1010013	4910
11	24711	CLUTCH PLATE OUTER	2	LHTY.1.1-11	T1010011	4911
12	24712	DISHED SPRING	4	LHTY.1.1-8	T1010008	4912
13	24713	WASHER	2	LHTY.1.1-10	T1010010	4913
14	24714	SMALL COVER	1	LHTY.1.1-15	T1010015	4914
15	24715	SPING SEAT	2	LHTY.1.1-9	T1010009	4915
16	10083	SCREW M6X15	2	GB/T70	B02010615	4916
17	10131	SCREW M8X16	6	GB/T70	B02010816	4917
18	24718	BOLT M8X15	6	LHTY.1.1-6	T1010006	4918

40 SPECIAL TOOL KIT



REF. No.	PART NO.	DESCRIPTION	Q'TY	图号	PART NO.
1	24801	TOOL FOR BALL JOINT,STRUT REMOVAL	1	LH260ATV.3.2.1GJ.1	8E0030201GJ01 5001