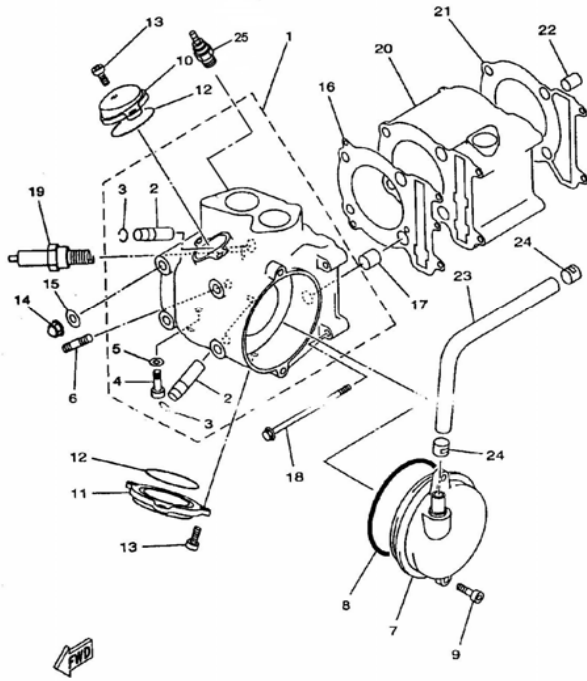
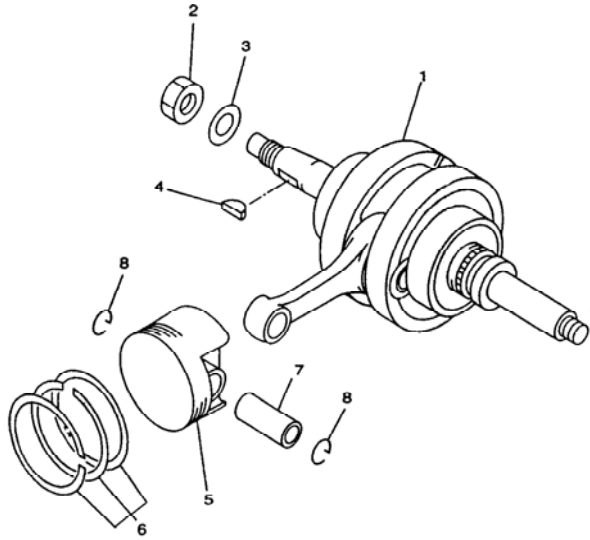


19 CYLINDER



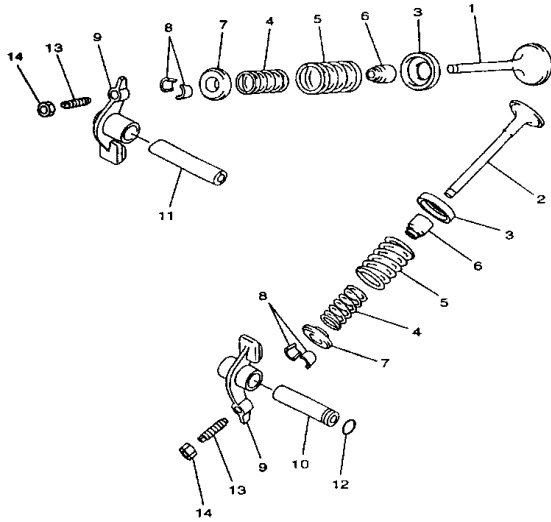
REF. No.	PART NO.	DESCRIPTION	Q'TY
1	27337	CYLINDER HEAD ASSY	1
2	27338	GUIDE INTAKE VALVE	2
3	10112	CIRCLIP 12	2
4	10128	BOLT M6X12	1
5	22810	GASKET 6	1
6	10014	BOLT STUD M8X25	2
7	22407	BREATHER ASSY	1
8	22408	O-RING 95X3.3	1
9	10008	BOLT SOCKET HEAD M6X20	2
10	22410	VALVE COVER INTAKE SIDE	1
11	22411	VALVE COVER EXHAUST SIDE	1
12	22412	O-RING 57.5X2.3	2
13	10008	BOLT SOCKET HEAD M6X20	5
14	22414	NUT CROWN M8	4
15	22415	WASHER PLATE 8	4
16	27221	GASKET CYLINDER HEAD1	1
17	22417	PIN DOWEL 14X16	2
18	27339	BOLT FLANGE M6X130	2
19	22419	PLUG SPARK-NGK DR8EA	1
20	27228	CYLINDER	1
21	27226	GASKET CYLINDER	1
22	22422	PIN DOWEL 10X14	2
23	22423	PIPE BREATHER1	1
24	43514	CLIP 13MM	2
25	27396	THERMO UNIT	1

20 CRANKSHAFT COMP

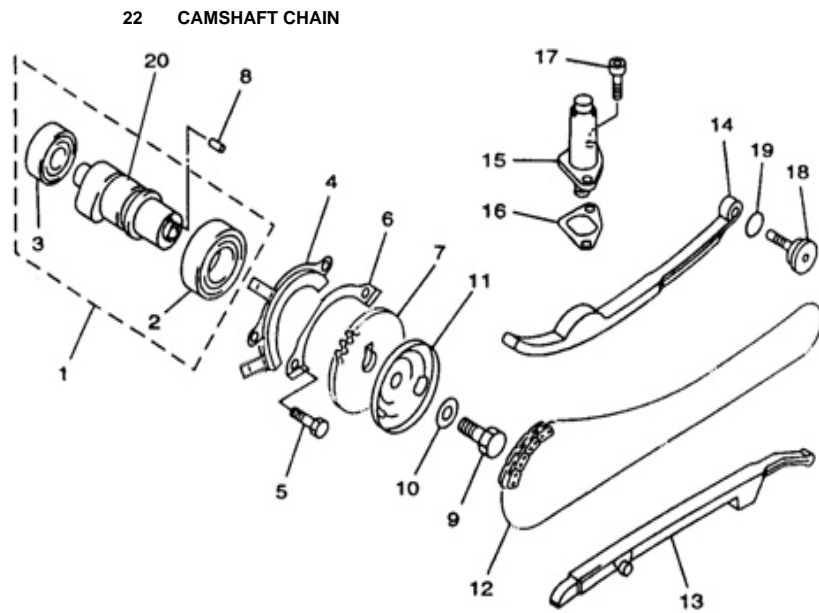


REF. No.	PART NO.	DESCRIPTION	Q'TY
1	27238	CRANKSHAFT ASSY	1
2	22502	NUT M16X1	1
3	22503	WASHER PLATE 16	1
4	22504	KEY WOODRUFF	1
5	27241	PISTON	1
6	27242	PISTON RING SET	1
7	27240	PISTON PIN	1
8	27239	CLIP	2

## 21 VALVE

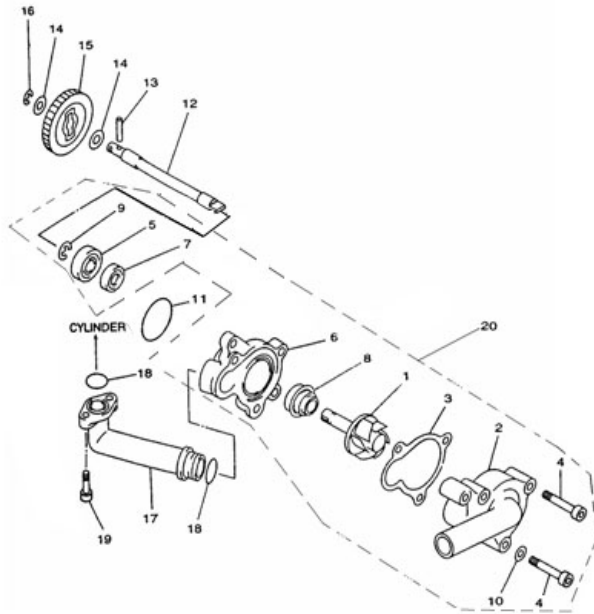


REF. No.	PART NO.	DESCRIPTION	Q'TY
1	27222	INTAKE VALVE	1
2	27223	EXHAUST VALVE	1
3	22603	SEAT SPRING VALVE	2
4	22604	SPRING VALVE INNER	2
5	22605	SPRING VALVE OUTER	2
6	22606	SEAL VALVE STEM	2
7	22607	RETAINER SPRING VALVE	2
8	22608	COTTER VALVE	4
9	22609	ROCKER ARM VALVE	2
10	22610	EXHAUST ROCKER SHAFT	1
11	22611	INTAKE ROCKER SHAFT	1
12	22612	O-RING 9X2	1
13	22613	ADJUSTING SCREW VALVE	2
14	22614	NUT M6X0.75	2



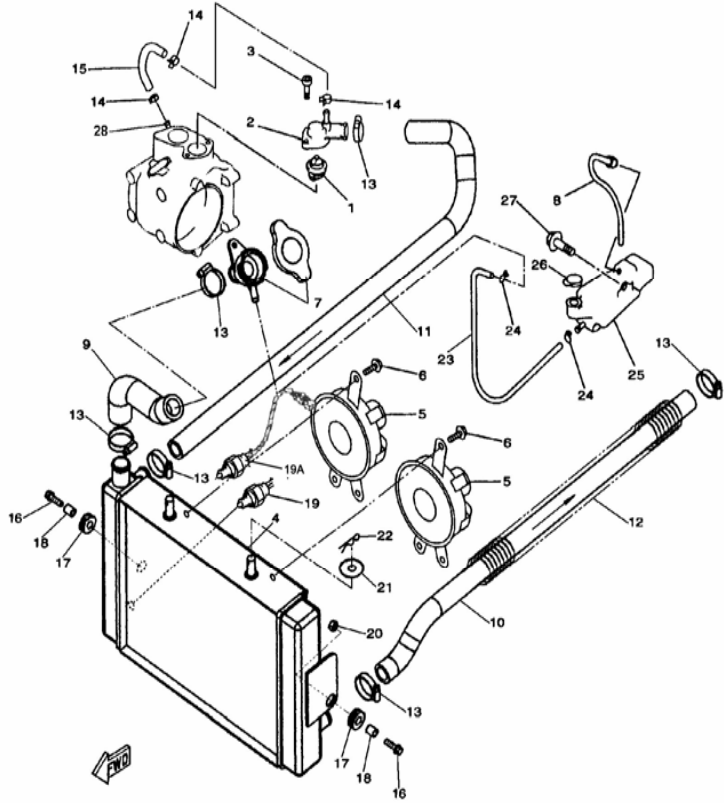
REF. No.	PART NO.	DESCRIPTION	Q'TY
1	27234	CAMSHAFT ASSY1	1
2	10012	BEARING	1
3	10013	BEARING(B6202Z)	1
4	27237	PLATE	1
5	10128	BOLT M6X12	2
6	27236	LOCK WASHER	1
7	22707	CAM CHAIN SPROCKET	1
8	10024	DOWEL PIN B4X10	1
9	10025	BOLT M10X1.25X25	1
10	22710	WASHER PLATE 10	1
11	22711	BREATHER PLATE2	1
12	27201	CHAIN	1
13	27203	GUIDE STOPPER1	1
14	27202	GUIDE STOPPER2	1
15	22715a	CAM CHAIN TENSIONER ASSY	1
16	22716	GASKET TENSIONER CASE	1
17	10036	SOCKET HEAD BOLT M6X14	2
18	22718	CHAIN TENSIONER PIVOT BOLT	1
19	22719	O-RING 14.5X1.8	1
20	27235	CAMSHAFT	1

## 23 WATER PUMP



REF. No.	PART NO.	DESCRIPTION	Q'TY
1	22801	IMPELLER SHAFT ASSY	1
2	22802	HOUSING COVER	1
3	22803	GASKET HOUSING COVER2	1
4	10041	SOCKET HEAD BOLT M6X35	3
5	10043	BEARING	1
6	22806	WATER PUMP HOUSING	1
7	22807	OIL SEAL 10X21X5	1
8	22808	MECHANICAL SEAL	1
9	10044	CIRCLIP 9	1
10	22810	GASKET 6	1
11	10049	O-RING 33.5X2.65	1
12	27230	SHAFT	1
13	10070	DOWEL PIN C3X22	1
14	22814	WASHER PLATE 8	2
15	22815	IMPELLER SHAFT GEAR	1
16	10072	CIRCLIP 8	1
17	27229	JOINT	1
18	10082	O-RING 15.5X2.5	2
19	10083	SOCKET HEAD BOLT M6X15	2
20	22820	WATER PUMP ASSY	1

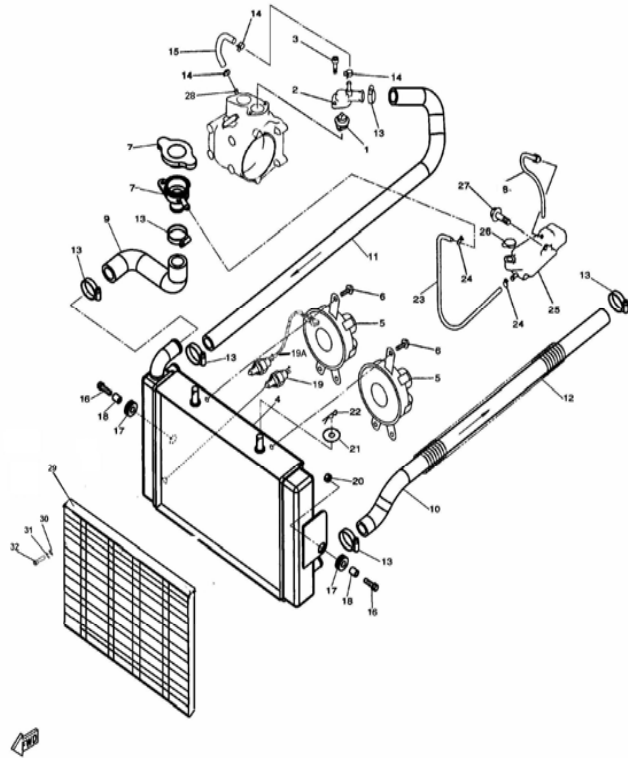
24 RADIATOR (FOR 2WD)



28

REF. No.	PART NO.	DESCRIPTION	Q'TY
1	22901	THERMOSTAT	1
1	22901A	THERMOSTAT(ONLY FOR ITALY)	1
2	22902	THERMOSTAT COVER	1
3	10085	SOCKET HEAD BOLT M6X25	2
4	22904f	RADIATOR ASSY	1
5	22905	BLOWER ASSY	2
6	10087	FLANGE BOLT M6X9	6
7	22907a	SAFETY VALVE	1
8	23028	PIPE 2	1
9	22909f	RADIATOR FILLER HOSE	1
10	22910	RETURN HOSE	1
11	22911f	FEED HOSE	1
12	22912	COMPRESSION SPRING	2
13	22913	HOSE CLAMP1	6
14	22914	HOSE CLAMP2	2
15	22915	HOSE2	1
16	10110	BOLT M6X20	2
17	22917	RADIATOR SIDE SUPT GROMMET	2
18	22918	COLLAR	2
19	22919	THERMOSTAT SWITCH ASSY	1
19A	22919A	THERMOSTAT SWITCH ASSY(ONLY FOR ITALY)(USE AFTER 08.02.)	1
20	10004	NUT M6	2
21	10019	WASHER PLATE 10	2
22	10094	CLIP 2X20	2
23	22923	PIPE 1	1
24	22924	CLIP	2
25	22925	TANK RECOVERY	1
26	22926	CAP	1
27	10140	BOLT FLANGE M6X12	1
28	23001	JOIN	1

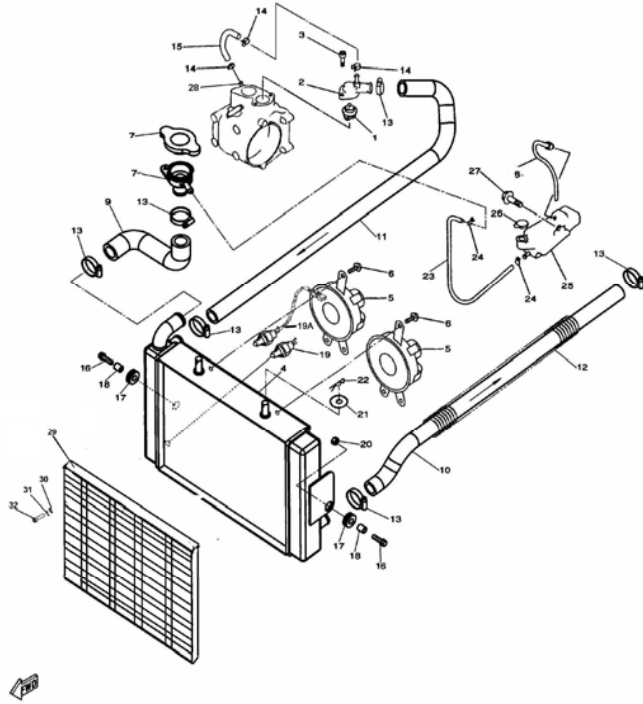
24 RADIATOR (FOR 4WD)



30

REF. No.	PART NO.	DESCRIPTION	Q'TY
1	22901	THERMOSTAT	1
1	22901A	THERMOSTAT(ONLY FOR ITALY)	1
2	22902	THERMOSTAT COVER	1
3	10085	SOCKET HEAD BOLT M6X25	2
4	22904t	RADIATOR ASSY (THICKER)	1
5	22905	BLOWER ASSY	2
6	10087	FLANGE BOLT M6X9	6
7	22907a	SAFETY VALVE	1
8	23028	PIPE 2	1
9	22909t	RADIATOR FILLER HOSE	1
10	22910t	RETURN HOSE	1
11	22911	FEED HOSE	1
12	22912	COMPRESSION SPRING	2
13	22913	HOSE CLAMP1	6
14	22914	HOSE CLAMP2	2
15	22915	HOSE1	1
16	10110	BOLT M6X20	2
17	22917	RADIATOR SIDE SUPT GROMMET	2
18	22918	COLLAR	2
19	22919	THERMOSTAT SWITCH ASSY	1
19A	22919A	THERMOSTAT SWITCH ASSY(ONLY FOR ITALY)(USE AFTER 08.02.)	1
20	10004	NUT M6	2
21	10019	WASHER PLATE 10	2
22	10094	CLIP 2X20	2
23	22923	PIPE 1	1
24	22924	CLIP	2
25	22925	TANK RECOVERY	1
26	22926	CAP	1

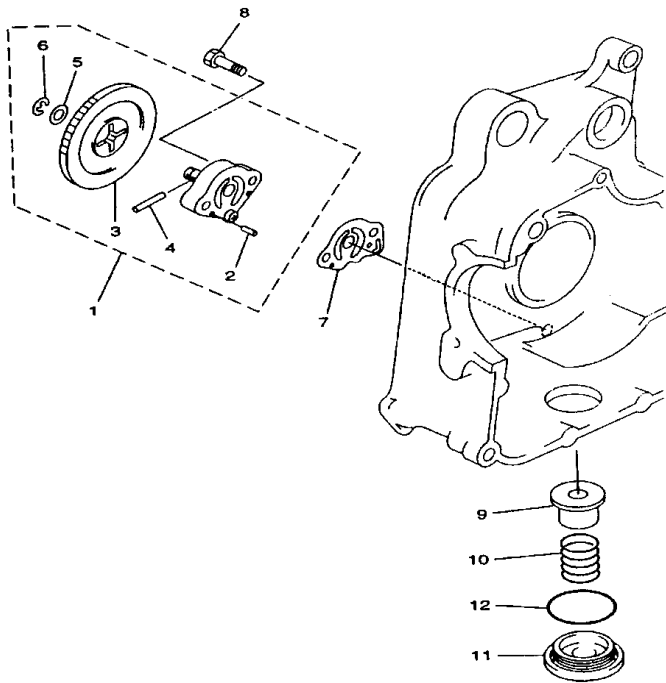
24 RADIATOR (FOR 4WD)



29A

REF. No.	PART NO.	DESCRIPTION	Q'TY
27	10140	BOLT FLANGE M6X12	1
28	23001	JOIN	1
29	23002	FENDER (USED FOR SPORT)	1
30	10011	WASHER 6 (USED FOR SPORT)	4
31	10422	SPRING WASHER (USED FOR SPORT)	4
32	10423	BOLT FLANGE M6X14 (USED FOR SPORT)	4

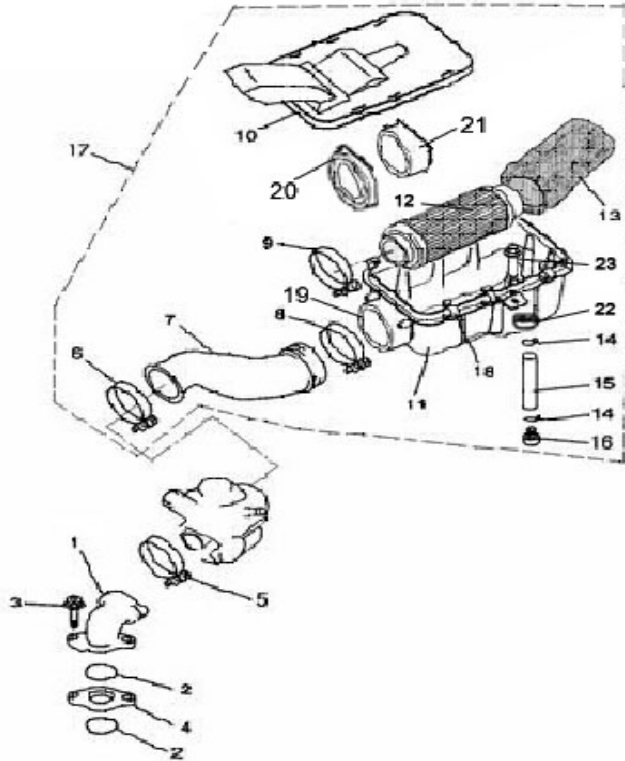
25 OIL PUMP



30A

REF. No.	PART NO.	DESCRIPTION	Q'TY
1	27245	OIL PUMP ASSY	1
2	10096	DOWEL PIN 3X12	2
3	23103	GEAR PUMP DRIVEN	1
4	10097	DOWEL PIN C3X22	1
5	22814	WASHER PLATE	1
6	10130	CIRCLIP	1
7	23107	GASKET	1
8	10098	SCREW M6X25	2
9	23109	OIL STRAINER	1
10	23110	COMPRESSION SPRING	1
11	23111	DRAIN PLUG	1
12	23112	O-RING 36X3.5	1

26 AIR CLEANER

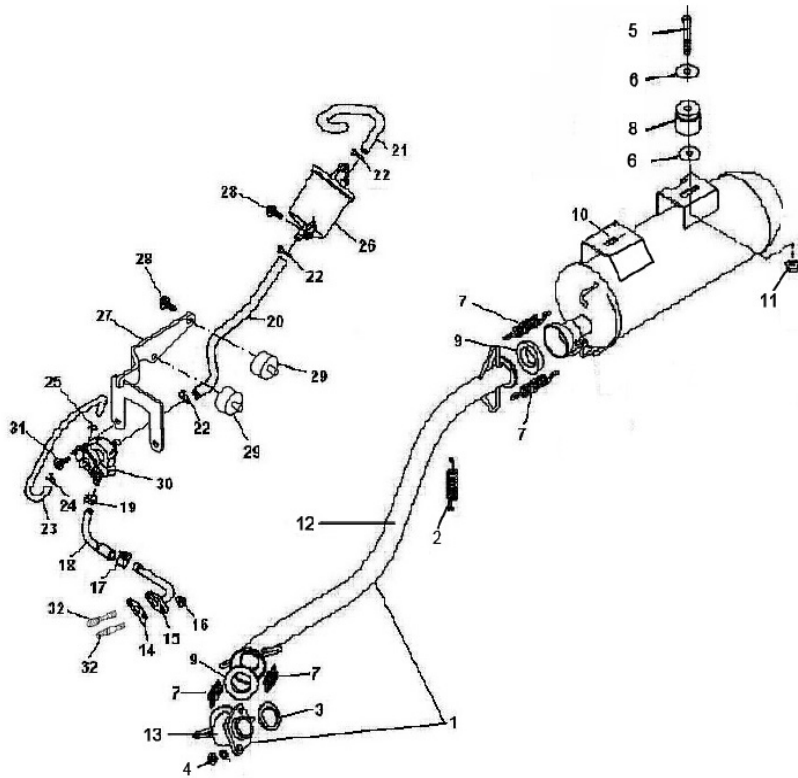


REF. No.	PART NO.	DESCRIPTION	Q'TY
1	27219	JOINT CARBURETOR(FOR USA)	
1	27220	JOINT CARBURETOR(FOR EUROPE)	1
2	23202	O-RING 35X2	2
3	10085	SCOKET HEAD BOLT M6X25	2
4	27225	JOINT	1
5	23205	HOSE CLAMP D	1
6	23206	HOSE CLAMP C	1
7	27286	AIR CLEANER JOINT	1
8	23208	HOSE CLAMP B	1
9	23209	HOSE CLAMP A	1
10	23210	COVER AIR CLEANER	1
11	23211	AIR CLEANER CASE1	1
12	23212	ELEMENT COMP AIR CLEANER	1
13	23213	FILTER COVER	1
14	23214	CLIP	2
15	23215	HOSE	1
16	23216	PLUG	1
17	23217	AIR CLEANER ASSY	1
18	23218A	AIR CLEANER COVER CLIP	6
19	25587	JOINT, AIR CLEANER	1
20	25588	WASHER, AIR CLEANER	1
21	25589	JOINT FIXED, AIR CLEANER	1
22	25600	RUBBER WASHER	2
23	10182	BOLT M6X30	2

27 CARBURETOR

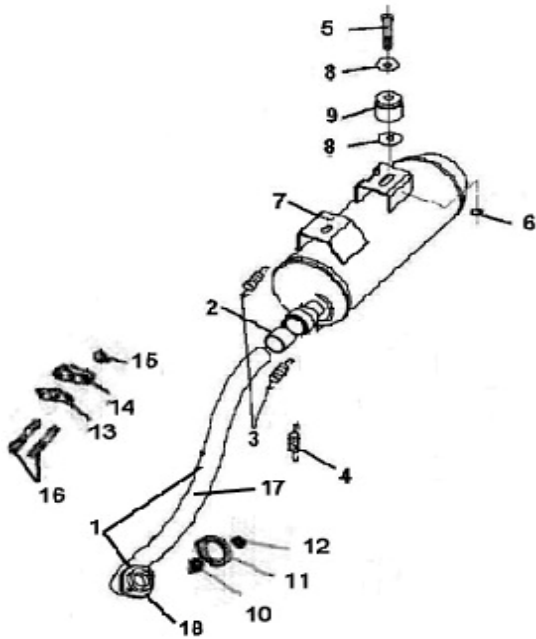
REF. No.	PART NO.	DESCRIPTION	Q'TY
1	27224	CARBURETOR ASSY	1

## 28 EXHAUST (2007 MODEL)



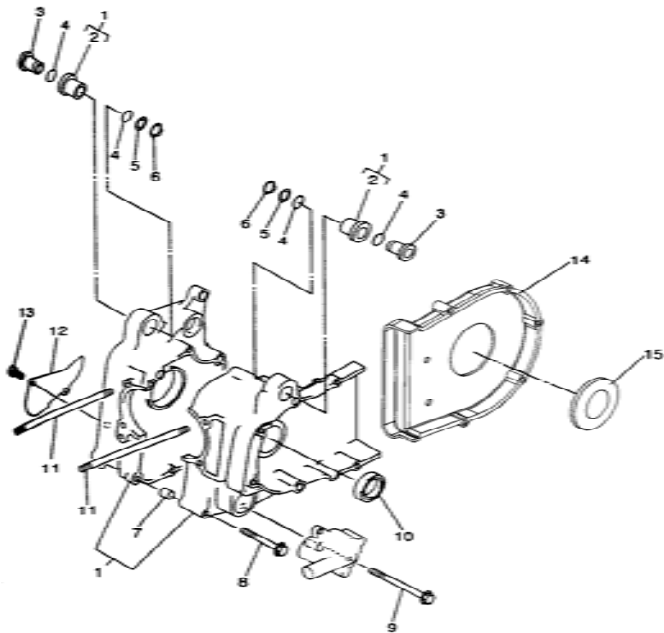
REF. No.	CODE	DESCRIPTION	QTY
1	27305	EXHAUST PIPE	1
2	27308	SPRING	1
3	23403	EXHAUST PIPE GASKET	1
4	10106	WASHER 8	2
5	27209	BOLT FLANGE M10X1.25X45	2
6	10117	WASHER PLATE 10	4
7	23408	SPRING	5
8	27304	MUFFLER SUPPORT	2
9	10099	JOUNT	1
10	25510	MUFFLER	1
11	10015	NUT M10X1.25	1
12	27306	EXHAUST PIPE 1	1
13	27307	EXHAUST PIPE 2	1
14	43510	WASHER	1
15	43511	HOSE	1
16	10004	NUT M6	2
17	43513	CLIP 16	1
18	43512	HOSE C	1
19	43514	CLIP 13	1
20	43525	HOSE B	1
21	43518	HOSE A	1
22	43519	HOSE CLAMP 16	3
23	43520	PIPE	1
24	43521	CLIP 9	1
25	43522	CLIP 7.6	1
26	43523	FILTER	1
27	33227	VALVE BRACKET	1
28	10140	BOLT M6X12	4
29	20316	RUBBER PAD	2
30	43516	VALVE	1
31	10263	BOLT M6X20	2
32	10263	BOLT	2

28 EXHAUST (FOR USA)



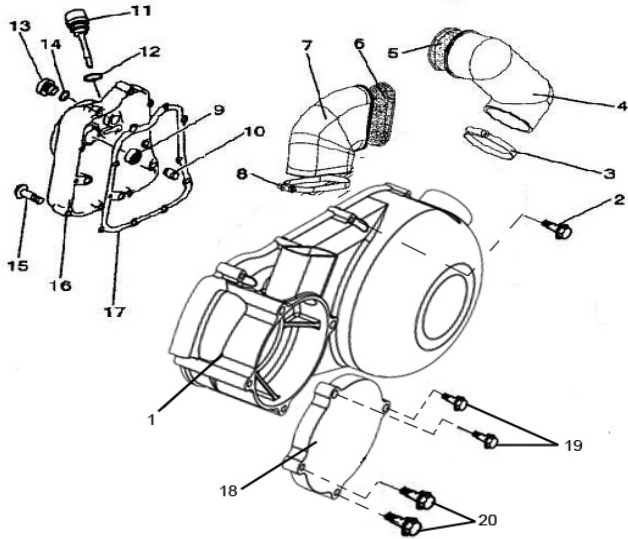
REF. No.	PART NO.	DESCRIPTION	Q'TY
1	27305	EXHAUST PIPE	1
2	23411	MUFFLER JOINT	1
3	23408	SPRING	2
4	27308	SPRING	1
5	27209	BOLT FLANGE M10X1.25X45	2
6	10015	NUT M10X1.25	1
7	27303	MUFFLER	1
8	10117	WASHER PLATE 10	4
9	27304	MUFFLER SUPPORT	2
10	10099	NUT M8	2
11	23403	EXHAUST PIPE GASKET	1
12	10106	WASHER 8	3
13	43510	WASHER	1
14	25210	JOINT BRACKET	1
15	10004	NUT M6	2
16	10263	BOLT	2
17	27306	EXHAUST PIPE 1	1
18	27307	EXHAUST PIPE 2	1

29 CRANKCASE



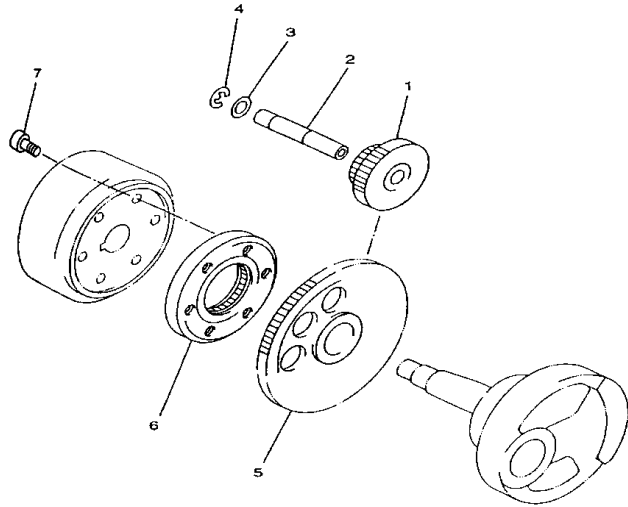
REF. No.	PART NO.	DESCRIPTION	Q'TY
1	27204	CRANKCASE ASSY	1
2	23502	HOLDER	2
3	23503	COLLAR	2
4	23504	O-RING16X2.5	4
5	23505	WASHER PLATE 16	2
6	10121	CIRCLIP 16	2
7	22422	DOWEL PIN 10X14	2
8	23508	FLANGE BOLT M6X70	4
9	23509	FLANGE BOLT M6X100	5
10	23510	OIL SEAL 30X45X5	1
11	27205	STUD BOLT M8X253.6	4
12	23512	COVER CRANKCASE RIGHT	1
13	10036	SOCKET HEAD BOLT M6X14	2
14	27232	REAR INSIDE COVER	1
15	23515	AIRPROOF COVER	1

## 30 LEFT &amp; RIGHT COVER



REF. No.	PART NO.	DESCRIPTION	Q'TY
1	27231	COVER CRANKCASE LEFT	1
2	10177	FLANGE BOLT M6X40	6
3	23603	HOSE CLAMP B	1
4	23604	JOINT A	1
5	23605	AIR STRAINER B	1
6	23606	AIR STRAINER A	1
7	23607	JOINT B	1
8	23608	HOSE CLAMP A	1
9	23609	OIL SEAL	1
10	22422	DOWEL PIN 10X14	4
11	23611	OIL PLUG	1
12	10122	O-RING 18X2.65	1
13	23613	OIL PLUG	1
14	10123	O-RING 14X2.65	1
15	23615	FLANGE BOLT M6X40	15
16	23616	CAP COVER	1
	23616A	CAP COVER (USE WITH HIGH-POWER GENERATOR)	1
17	23617	CRANKCASE COVER GASKET RIGHT	1
18	27233	FRONT COVER	1
19	10110	BOLT M6X20	2
20	27208	BOLT M6X110	2

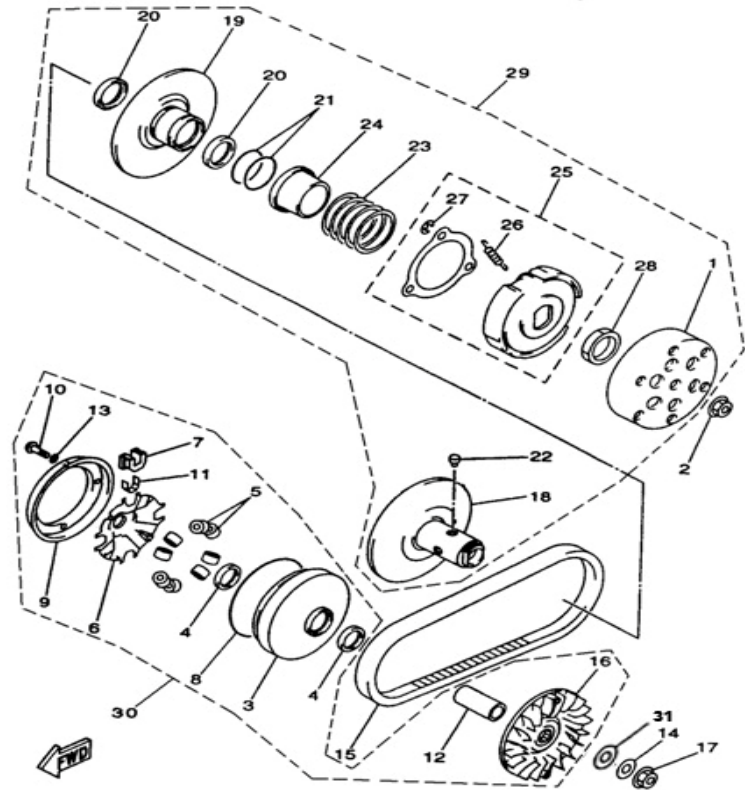
31 STARTER



36

REF. No.	PART NO.	DESCRIPTION	Q'TY
1	23701	GEAR IDLER	1
2	23702	SHAFT	1
3	23703	WASHER 12	1
4	10129	CIRCLIP 12	1
5	23705	GEAR REDUCTION	1
6	23706	STARTER CLUTCH	1
7	10131	SOCKET HEAD BOLT M8X16	3

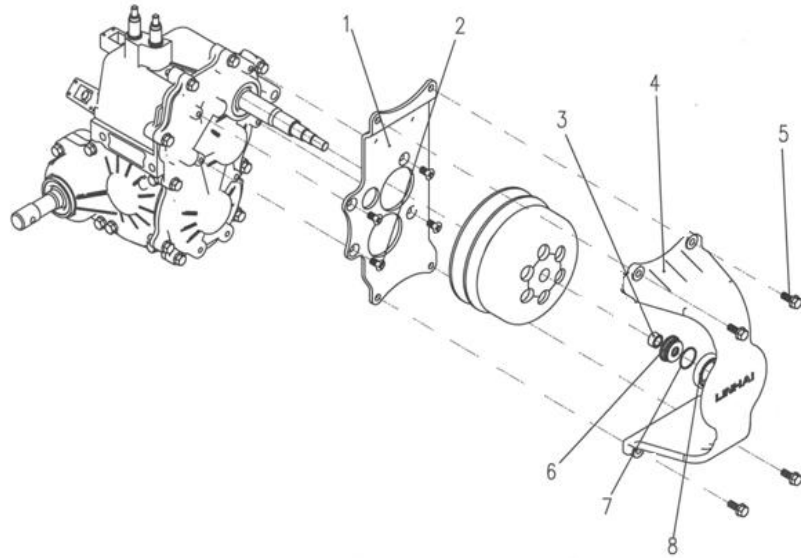
32 CLUTCH



37

REF. No.	PART NO.	DESCRIPTION	Q'TY
1	27251	CLUTCH HOUSING COMP.	1
2	23802	NUT M14X1	1
3	23803	PRIMARY SLIDING SHEAVE COMP	1
4	23804	OIL SEAL	2
5	23805	WEIGHT	8
6	27246	CAM	1
7	23807	SLIDER	4
8	23808	O-RING 118X2.5	1
9	23809	STOPPER	1
10	10132	PAN HEAD SCREW M4X12	4
11	23811	SPACER 1	4
12	27252	COLLAR	1
13	23813	WASHER PLATE 4	4
14	23814	WASHER PLATE 14	1
15	23815	V-BELT	1
16	27247	SHEAVE PRIMARY FIXED	1
17	23802	NUT M14X1	1
18	23818	SECONDARY FIXED SHEAVE COMP.INCLUDE TWO BEARINGS ONE OIL SEAL AND ONE CIRCLIP	1
	23818		
	23818		
	23818		
	23818		
19	23819	SECONDARY SLIDING SHEAVE	1
20	23820	OIL SEAL	2
21	23821	O-RING 45X1.8	2
22	23822	PIN GUIDE	4
23	23923	COMPRESSION SPRING	1
24	23924	SEAT SECONDARY SPRING	1
25	27249	CLUTCH CARRIER ASSY	1
26	27250	CLUTCH WEIGHT SPRING 1	3
27	10133	CIRCLIP 8	3
28	23928	NUT M36X1.5	1
29	27248	DRIVEN ASSY COMPLETE	1
30	27254	DRIVE ASSY COMPLETE	1
31	27253	WASHER PLATE 21.5	1

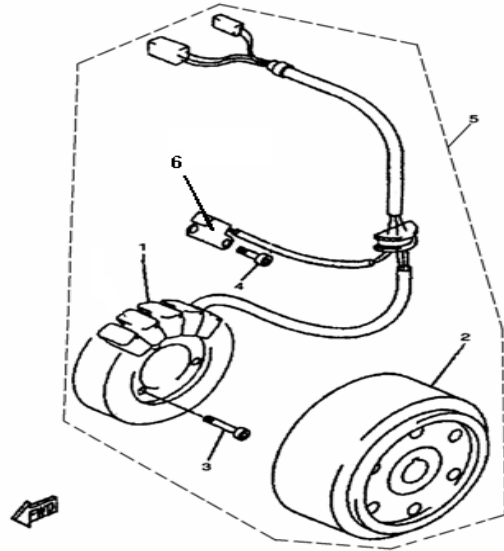
**HIGH-POWER CLUTCH STAND ASSY**



39

REF. No.	PART NO.	DESCRIPTION	Q'TY
1	23941	BRACKET 1	1
2	10424	SWCREW M8X12	4
3	23942	SMALL SPACER	1
4	23943	BRACKET 2	1
5	10425	BOLT M8X22	4
6	23944	SPACER	1
7	10321	O-RING 26.5X1.8	1
8	10426	BEARING 6906Z	1

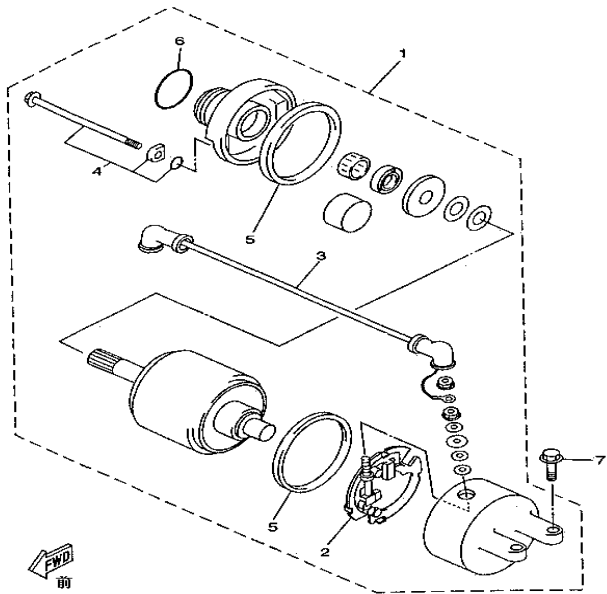
33 GENERATOR



39 (1)

REF. No.	PART NO.	DESCRIPTION	Q'TY
1	24001	STATOR ASSY (THE COLOR OF a IS WHITE)	1
2	27244	ROTOR ASSY (GREEN COLOR)	1
3	10134	SOCKET HEAD BOLT M5X25	3
	10085	SOCKET HEAD BOLT M6X25	3
4	10135	SOCKET HEAD BOLT M5X12	2
5	27243	GENERATOR ASSY	1
6	24006	PICK UP COIL	1

34 STARTING MO'

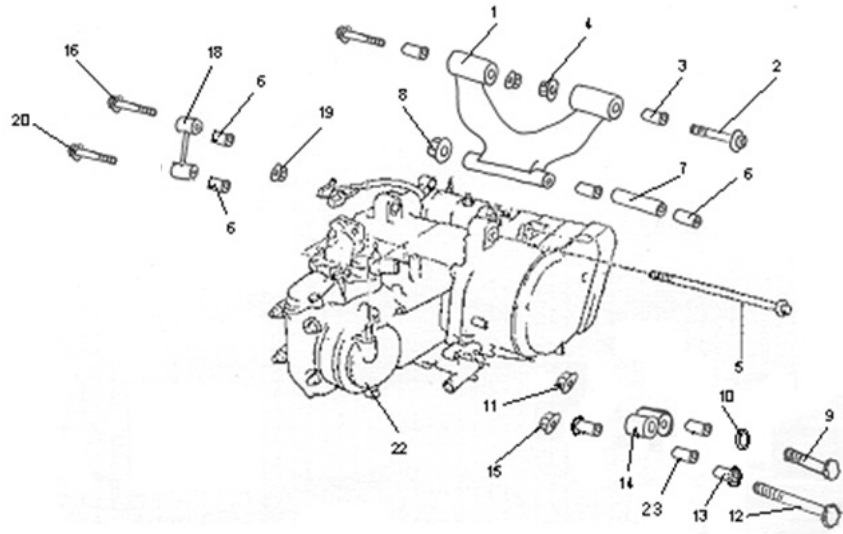


40

REF. No.	PART NO.	DESCRIPTION	Q'TY
1	24101	STARTING MOTOR ASSY	1
2	24102	BRUSH HOLD ASSY	1
3	24103	CORD,STARTER MOTOR	1
4	24104	BOLT	2
5	24105	GASKET	2
6	24106	O-RING 24.5X3	1
7	24107	FLANGE BOLT M6X25	2

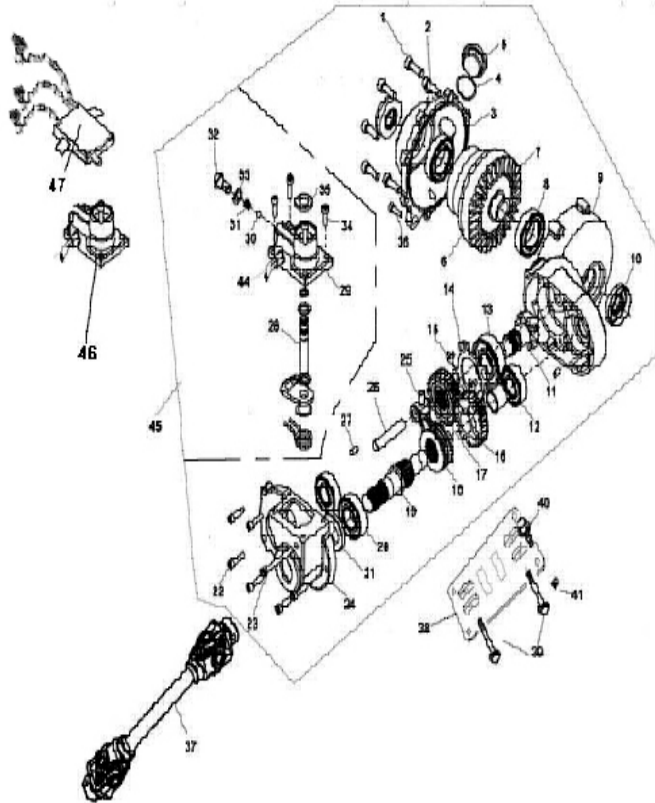
41

35 ENGINE



REF. No.	PART NO.	DESCRIPTION	Q'TY
1	27291	FRONT ENGINE MOUNT BRACKET	1
2	24202	ENGINE BRACKET BOLT	2
3	24203	BUSHING ENGINE BRACKET1	2
4	10136	NUT M12X1.25	2
5	27294	ENGINE MOUNTING BOLT	1
6	24206	BUSHING ENGINE BRACKET2	4
7	27293	SPACER ENGINE BRACKET	1
8	10015	NUT M10X1.25	1
9	10016	BOLT M10X1.25X55	1
10	27295	WASHER	1
11	10015	NUT M10X1.25	1
12	10137	BOLT M8X120	1
13	24213	LEFT SPACER	2
14	24214	STAY ENGINE LEFT	1
15	10079	NUT M8	1
16	10138	BOLT M10X1.25X68	1
18	24218	STAY ENGINE RIGHT	1
19	10015	NUT M10X1.25	1
20	10139	BOLT M8X65	1
22	27218	ENGINE ASSY	1
23	24223	BUSHING	2

36 FRONT GEAR-BOX (FOR 4WD)

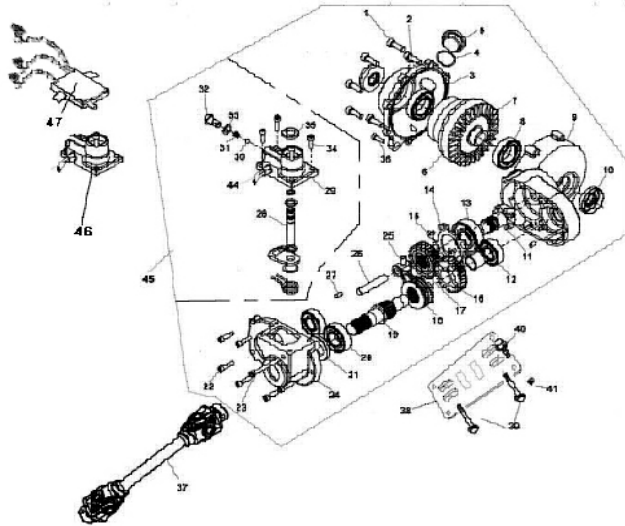


42

REF. No.	PART NO.	DESCRIPTION	Q'TY
1	10059	BOLT M8X25	7
2	24302	VENT FITTING	1
3	24303	LEFT COVER	1
4	10122	O-RING 18X2.65	1
5	24305	DIFF FILLERPLUG	1
6	24306	FOC BODY	1
7	24307	BEVEL CROWNWHEEL	1
8	10202	BEAR 6006	2
9	24309	DIFFCASE RHS	1
10	24310	SEAL SDD722X48X11	2
11	24311	CONICAL WITH HELICAL GEARING	1
12	10062	BEAR 6204	2
13	10074	BEAR 6305ST	1
14	24314	CASEBEAR RETAINER	1
15	10287	SCREW M6X12	4
16	24316	DIFF GEAR	1
17	24317	DIFF GEAR DRIVEN	1
18	24318	SPLINED DOG	1
19	24319	DIFF INPUTSHAFT A	1
20	10267	BEAR 6205	1
21	24321	SEAL TC25X47X7	1
22	10182	BOLE M6X30	6
23	10160	BOLE M6X70	1
24	24324	REAR COVER	1
25	24325	DIFF SELECTOR FORK	1
26	24326	SELECTOR RAIL	1
27	24327	PIN	1
28	24328	SELECTOR SHAFT	1

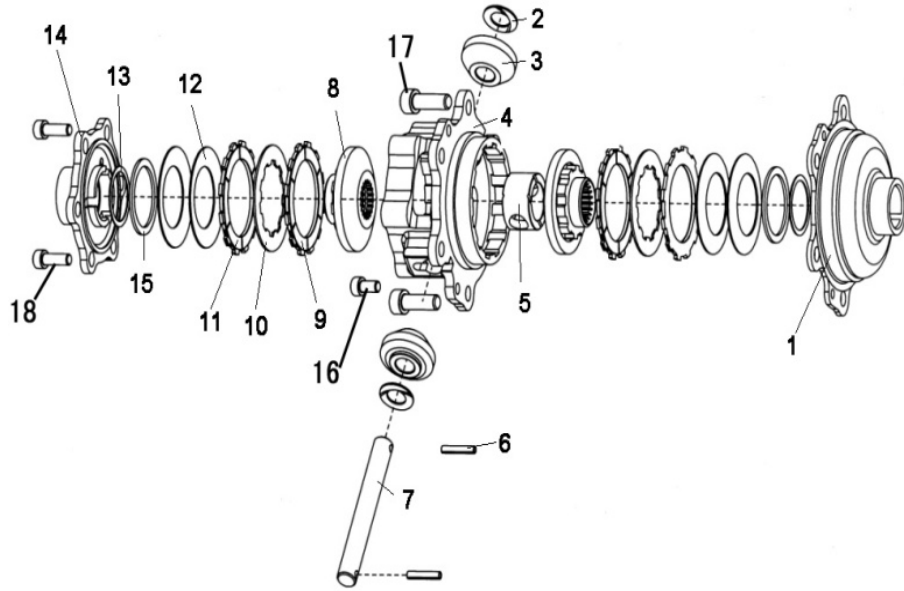
43

36 FRONT GEAR-BOX (FOR 4WD)



REF. No.	PART NO.	DESCRIPTION	Q'TY
29	24429	SELECTOR COVER	1
30	10203	STEEL BALL 8	1
31	24431	SPRING	1
32	24433	INDENT BALL INSERT	1
33	24432	WASHER	1
34	10183	BOLT M6X16	4
35	24435	SEAL TC12X28X7	1
36	10168	BOLT M8X16	1
37	24437	FRONT PROPSHAFT ASSY	1
38	24438	FRONT GEAR-BOX BACKSTOP	1
39	10208	BOLT M10X1.25X43	2
40	10163	BOLT M10X1.25X20	4
41	10209	NUT M10	6
44	24444	4WD AND 2WD SWITCH	1
45	24445	FRONT GEAR-BOX	1
46	24446	2WD/4WD SHIFT MOTOR(USED WITH 2WD / 4WD SWITCHPN20109b)	1
47	24447a	2WD/4WD SHIFT ELECTRONIC CONTROLER(USED WITH 2WD / 4WD SWITCHPN20109b)	1

39 FOC BODY (FOR 4WD)

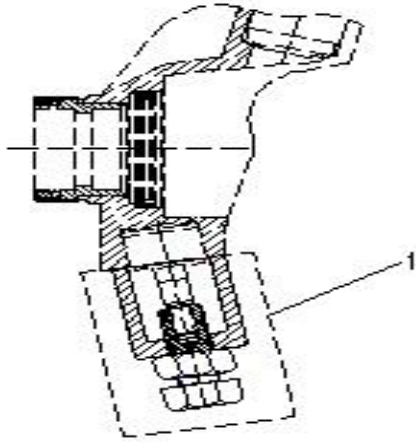


44

REF. No.	PART NO.	DESCRIPTION	Q'TY
1	24701	LARGER COVER	1
2	24702	WASHER	2
3	24703	PINION	2
4	24704	HOUSING	1
5	24705	CENTER SPACER	1
6	10003	ROLL PIN	2
7	24707	CENTER PIN	2
8	24708	BEVEL GEAR	2
9	24709	CLUTCH PLATE OUTER DOUBLE	2
10	24710	CLITCH PLATE INNER	2
11	24711	CLUTCH PLATE OUTER SINGLE	2
12	24712	DISHED SPRING	4
13	24713	WASHER	2
14	24714	SMALL COVER	1
15	24715	SPING SEAT	2
16	10083	SCREW M6X15	2
17	10131	SCREW M8X16	6
18	24718	BOLT M8X15	6

47

40 SPECIAL TOOL KIT



REF. No.	PART NO.	DESCRIPTION	Q'TY
1	24801	TOOL FOR BALL JOINT,STRUT REMOVAL	1

图号	PART NO.
LH180MQ.1.1	1L001010000
LH180MQ.1.1-2	1L001010002
170M.1.1-6	1L001010006
GB5783	B01010612
170M.1-9	1L001000009
GB898	B01420825
170M-A.1.2.1	1L001020100
170M.1.2-5	1L001020005
GB70	B02010620
170M.1-1	1L001000001
170M.1-3	1L001000003
170M.1-2	1L001000002
GB70	B02010620
170M.4-1	1L004000001
170M.4-2	1L004000002
LH180MQ.1.3	1L001030000
170M.1-6	1L001000006
180MQ.4-4	1L004000004
170M.1.5	1L001050000
LH180MQ.1-5	1L001000005
LH180MQ.1-4	1L001000004
1E52FM010011	1E001001100
170M.1.2-4	1L001020004
170M.20-4	1L020000004
LH180MQ.1.4	1R001040000

---

图号	PART NO.
LH180MQ.3.2	1L103020000
170M.3-1	1L003000001
170M.3-2	1L003000002
170M.3-3	1L003000003
LH180MQ.3-6	1L003000006
LH180MQ.3-7/LH180MQ.3-8/LH1	1L003000007
LH180MQ.3-5	1L003000005
LH180MQ.3-4	1L003000004

---

图号	PART NO.
LH180MQ.12-11	1L012000011
LH180MQ.12-3	1L012000003
170M.12-12	1L012000012
170M.12-10	1L012000010
170M.12-9	1L012000009
170M.12.1	1L012010000
170M.12-5	1L012000005
170M.12-4	1L012000004
170M.12.2	1L012020000
170M.12-6	1L012000006
170M.12-8	1L012000008
170M.12-7	1L012000007
170M.12-2	1L012000002
170M.12-1	1L012000001

---

图号	PART NO.
LH180MQ.2	1L002000000
GB276	B1316105
GB276	B13160202
LH180MQ.2-3	1L002000003
GB5783	B01010612
LH180MQ.2-2	1L002000002
170M.2-4	1L002000004
GB119	B03124010
GB5786	B01021025A
170M.2-6	1L002000006
170M.2-5	1L002000005
180MQ.14.2	
180MQ.14.4	
180MQ.14.3	
170M.14.1a	1L014010000
170M.14-1	1L014000001
GB70	B02010614
170M.14-2	1L014000002
170M.14-3	1L014000003
LH180MQ.2-1	1L002000001

---

---

图号	PART NO.
170M.15.4	1L015040000
170M.15-2	1L015000002
170M.15-5	1L015000005
GB70-M6X35	B02010635
GB276	B131E110
170M.15-3	1L015000003
170M.15.1	1L015010000
170M.15.2	1L015020000
170M.15-6	1L015000006
170M.1-9	1L001000009
GB3452.1	B121335265
LH180MQ.15-1	1L015000001
GB119	B03123022
170M.8-6	1L008000006
170M.15-4	1L015000004
GB894.1-8	B036208
LH180MQ.15.3.1	1L015030100
GB3452.1	B121155250
GB70	B02010615
LH170M.15	1L015000000

---

图号	PART NO.
170M.11.7.2	1L011070200
170M.11.7.2a	1L0110702A00
170M.11.7.1	1L011070100
GB70	B02010625
170M-A.11.3b	1L11103b0000
170M-A.11.2	1L111020000
GB5787	B01040609
170M.11.1.1	1L011010100
170M.11.6-2	1L011060002
170M-A.11-2a	1L111000002a
170M-A.11-14	1L111000014
170M-A.11-11	1L111000011
170M-A.11-10	1L111000010
GB/T15001	B25114/32
170M.1-7	1L001000007
170M.11-13A	1L011000013A
GB/T5787	B01040620
170M.11-5	1L011000005
170M.11-6	1L011000006
170M.11.4	1L011040000
170M.11.4A	1L01104A0000
GB/6187	B015506
GB97	B025310
GB91	B03112020
170M.11.6-5	1L011060005
170M.11.6-4	1L011060004
170M.11.6-3	1L011060003
170M.11.6.1	1L011060100
GB/T5787-M6X12	B01040612
170M.1.1-5	1L011010005

图号	PART NO.
170M.11.7.2	1L011070200
170M.11.7.2a	1L0110702A00
170M.11.7.1	1L011070100
GB70	B02010625
170M-A.11.3c	1L11103c0000
170M-A.11.2	1L111020000
GB5787	B01040609
170M.11.1.1	1L011010100
170M.11.6-2	1L011060002
170M-A.11-2b	1L111000002b
170M-A.11-14a	1L111000014b
170M-A.11-11	1L111000011
170M-A.11-10	1L111000010
GB/T15001	B25114/32
170M.1-7	1L001000007
170M.11-13A	1L011000013A
GB/T5787	B01040620
170M.11-5	1L011000005
170M.11-6	1L011000006
170M.11.4	1L011040000
170M.11.4A	1L01104A0000
GB/6187	B015506
GB97	B025310
GB91	B03112020
170M.11.6-5	1L011060005
170M.11.6-4	1L011060004
170M.11.6-3	1L011060003
170M.11.6.1	1L011060100

图号	PART NO.
GB/T5787-M6X12	B01040612
170M.1.1-5	1L001010005
170M-A.11.3d.1	1L11103d0100
GB/T97	B025306
GB/T93	B025106
GB/T5783	B01010614

---

图号	PART NO.
LH180MQ.8	1L008000000
GB309-3X12	B1510312
170M.8-8	1L008000008
GB309-3X22	B1510322
170M.8-6	1L008000006
GB896-6	B036306
170M.8-1	1L008000001
GB191-M6X25	B02080625
170M.4.6	1L004060000
170M.4-15	1L004000015
170M.4-14	1L004000014
170M.4-13	1L004000013

---

图号	PART NO.
LH180MQ.13.1	
LH180MQ.13.1a	
170M.17-13	1L017000013
GB70	B02010625
LH180MQ.13-1	
170M.17.4	1L017040000
LH260ATV.16.6	8E016060000
LH400ATV.16-2	
LH260ATV.16.4	8E016040000
LH260ATV.16.2	8E016020000
LH260ATV.16.5	8E016050000
LH260ATV.16.3	8E016030000
LH260ATV.16.1	8E016010000
LH260ATV.16.7	8E016070000
LH260ATV.16-4	8E016000004
LH260ATV.16-3	8E016000003
LH260ATV.16-5	8E016000005
LH260ATV.16	8E016000000
LH260ATV.16-10	8E016000010
LH260ATV.16-7	8E016000007
LH260ATV.16-8	8E016000008
LH260ATV.16-9	8E016000009
LH260ATV.16-6	8E016000006
GB/T16674.1	B01040630

---

图号	PART NO.
LH180MQ.13.2	1L013020000

---

PART No.	PART No.
LH400ATV-2.14.3	
LH400ATV-2.14-1	
170M.19.3	1L019030000
GB/T93	B025108
GB/T16674.1-M10X1.25X45	B01041045A
GB/T96-10	B025210
LH260ATV.15-1	8E015000001
LH400ATV-2.14.2	8E015020000
LH260ATV-B.14.3	8K014030000
LH260ATV.15d.1	8E015D010000
GB/T6187 -M10X1.25	B015510A
LH400ATV-2.14.3.1	
LH400ATV-2.14.3.2	
170M.20-10	1L020000010
170M.20.3	1L020030000
GB/T6187	B015506
170M.20-9	1L020000009
170M.20-8	1L020000008
170M.20-4	1L020000004
170M.20-3	1L020000003
170M.20-1	1L020000001
170M.20-2	1L020000002
170M.20-7	1L020000007
170M.20-6	1L020000006
170M.20-5	1L020000005
170M.20.1	1L020010000
170M-A.20.4待定	1L120040000
GB/T16674.1	B01040612
LH260ATV.1.15	8E001150000
170M.20.2待定	1L020020000
GB/T5789	B01030620
170M.20-11	1L020000011

图号	PART NO.
LH400ATV-2.14.3	
170M.19.4	1L019040000
LH260ATV.15-1	8E015000001
LH400ATV-2.14-1	
GB/T16674.1-M10X1.25X45	B01041045A
GB/T6187 -M10X1.25	B015510A
LH400ATV-2.14.1a	
GB/T96-10	B025210
LH400ATV-2.14.2	8E015020000
GB/T6170-M8	B015808
170M.19.3	1L019030000
GB/T93 -8	B025108
170M.20-10	1L020000010
170M-A.20-12	1L120030000
GB/T6187	B015506
170M.20-11	1L020000011
LH400ATV-2.14.3.1	
LH400ATV-2.14.3.2	

---

图号	PART NO.
180MQ.4	
170M.4.7	1L004070000
170M.4-17	1L004000017
170M.4-16	1L004000016
170M.4-18	1L004000018
GB894.1-16	B036216
1E52FM010011	1E001001100
170M.4-5	1L004000005
153FM.16-9	1H016000009
170M.4.3	1L004030000
180MQ.4-3	
170M.4-12	1L004000012
GB70	B02010614
LH180MQ.18.2-1	
LH260ATV.14.1-2	8E014010002

---

---

图号	PART NO.
LH180MQ.18.1	
GB/T16674.1	
LH260ATV.14.2.4	8E014020400
LH260ATV.14.2-3	8E014020003
LH260ATV.14.2.3	8E014020300
LH260ATV.14.2.2	8E014020200
LH260ATV.14.2-1	8E014020001
LH260ATV.14.2.1	8E014020100
170M.5.1	1L005010000
1E52FM010011	1E001001100
170M.5-5	1L005000005
GB3452.1	B121180265
170M.5-4	1L005000004
GB3452.1	B121140265
170M.4-21	1L004000021
170M.5-1	1L005000001
170M.5-1a	1L005000001a
170M.5-2	1L005000002
LH180MQ.18-1	
GB/T16674.1	
GB/T16674.1	

---

---

图号	PART NO.
170M.7.1	1L007010000
170M.7-2	1L007000002
170M.7-1	1L007000001
GB894.1	B036212
170M.7.2	1L007020000
170M.7.3	1L007030000
GB70	B02010816

---

图号	PART NO.
LH180MQ.9.2.3	
170M.9-2	1L009000002
170M.9.1.1	1L009010100
170M.9.1-5	1L009010005
170M.9.1.2	1L009010200
LH180MQ.9.1-4	
170M.9.1-1	1L009010001
170M.9.1-6	1L009010006
170M.9.1-2	1L009010002
GB818	B02020412
170M.9.1-3	1L009010003
LH180MQ.9-1	
170M.9.1-8	1L009010008
170M.9-3	1L009000003
170M.9-4	1L009000004
LH180MQ.9.1-7	
170M.9-2	1L009000002
170M.9.2.1.1	1L00902010100
170M.9.2.1-5	1L009020105
170M.9.2.1-6	1L009020106
170M.9.2.1-7	1L009020107
170M.9.2.1-8	1L009020108
170M.9.2.1.2	1L00902010200
170M.9.2.1-4	1L009020104
170M.9.2.1-3	1L009020103
170M.9.2.1-2	1L009020102
170M.9.2-1	1L009020001
170M.9.2.1-1	1L009020101
LH180MQ.9.2.2	
LH180MQ.9.2.2-4	
GB896-8	B036308
170M.9.2-2	1L009020002
LH180MQ.9.2	
LH180NMQ.9.1	
LH180MQ.9-5	

---

图号	PART NO.
LH260ATV.14.3.1	8E014030100
GB/T819	B02030812
LH260ATV.14.3-2	8E014030002
LH260ATV.14.3-1	8E014030001
GB/T16674.1	B01040822
170M.18-6	1L018000006
GB/T3452.1	B121265180
GB/T276	B1316906

---

---

图号	PART NO.
170M.6.1.2	1L006010200
LH180MQ.6.1.1	
GB70	B02010525
GB70	B02010625
GB70	B02010512
LH180MQ.6.1	
170M.6.1.2.2	1L00601020200

---

图号	PART NO.
170M.16	1L016000000
170M.16.4	1L016040000
170M.16.2	1L016020000
170M.16-2	1L016000002
170M.16-3	1L016000003
170M.16-1	1L016000001
170M.4-6	1L004000006

---

图号	PART NO.
LH400ATV.20.1.1	
LH260ATV.20-2	8E020000002
LH260ATV.20.1.2	8E020010200
GB/T6187	B015512A
LH400ATV.20-2	
LH260ATV.20.1.3	8E020010300
LH400ATV.20-1	2W006010001
GB/T6187	B015510A
GB/T5785	B01071055A
LH400ATV.20-3	
GB/T6187	B015510A
GB/T5782	B010608120
LH260ATV.20-3	8E020000003
LH260ATV.20.2	8E020020000
GB/T6187	B015508
GB/T5785	B01071068A
LH260ATV.20.3	8E020030000
GB/T6187	B015510A
GB/T5782	B01060865
LH180MQ	
LH260ATV.20.2.2	8E020020200

图号	PART NO.
GB/T5787	B01040825
LH260ATV.12.3	8E012030000
LHTY.1-1	T1000001
GB/T3452.1	B121180265
153FM.16-3	1H016000003
LHTY.1.1	T1010000
LHTY.1-2	T1000002
GB/T276	B1316006
LHTY.1-3	T1000003
LHTY.1.2	T1020000
LHTY.1-4	T1000004
GB/T276	B1316204
GB/T276	B1316305
LHTY.1-5	T1000005
GB/T2673	B02060612
LHTY.1.3	T1030000
LHTY.1-6	T1000006
LHTY.1-7	T1000007
LHTY.1-8	T1000008
GB/T276	B1316205
LHTY.1.4	T1040000
GB/T5787	B01040630
GB/T5787	B01040670
LHTY.1-9	T1000009
LHTY.1-10	T1000010
LHTY.1-11	T1000011
LHTY.1-12	T1000012
LHTY.1.5	T1050000

图号	PART NO.
LHTY.1-13	T1000013
GB/T308	B14108
LHTY.1-14	T1000014
LHTY.1-15	T1000015
LHTY.1-16	T1000016
GB/T5787	B01040616
LHTY.1.6	T1060000
GB/T5787	B01040816
LH260ATV.13.3	8E013030000
LH260ATV.1.16	8E001160000
GB/T5787	B01041043A
GB/T5787	B01041020A
GB/T6184	B015310
LHTY.1.7	T1070000
LHTY.1	T1000000
LHTY.1.8.1	T1080100
LHTY.1.8.2a	T1080200

图号	PART NO.
LHTY.1.1-14	T1010014
LHTY.1.1-2	T1010002
LHTY.1.1-3	T1010003
LHTY.1.1-1	T1010001
LHTY.1.1-5	T1010005
GB/T879	B03134022
LHTY.1.1-4	T1010004
LHTY.1.1-7	T1010007
LHTY.1.1-12	T1010012
LHTY.1.1-13	T1010013
LHTY.1.1-11	T1010011
LHTY.1.1-8	T1010008
LHTY.1.1-10	T1010010
LHTY.1.1-15	T1010015
LHTY.1.1-9	T1010009
GB/T70	B02010615
GB/T70	B02010816
LHTY.1.1-6	T1010006

---

---

---

图号

PART NO.

LH260ATV.3.2.1GJ.1

8E0030201GJ01

---