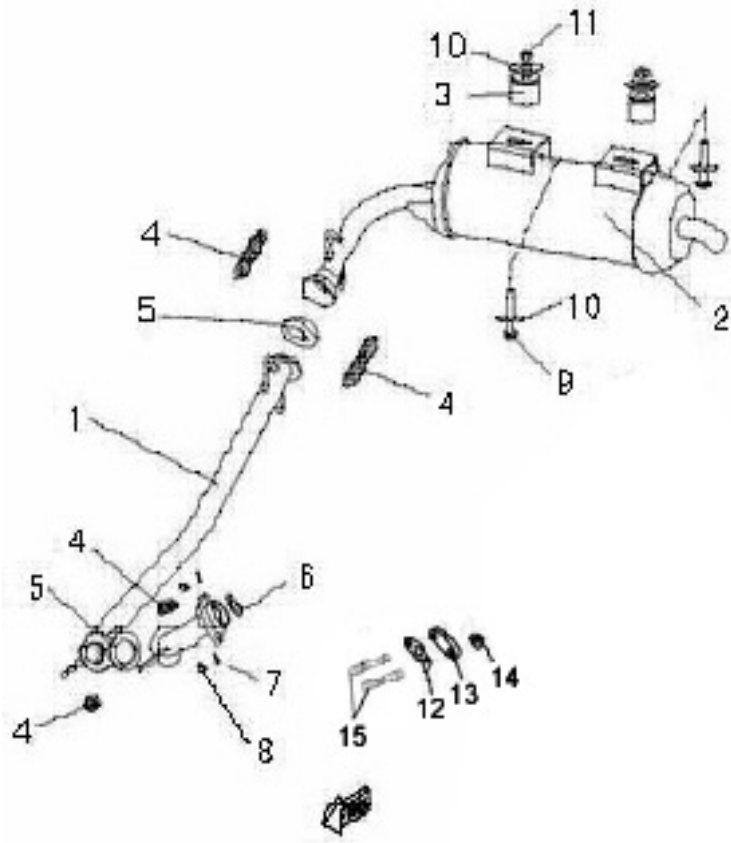
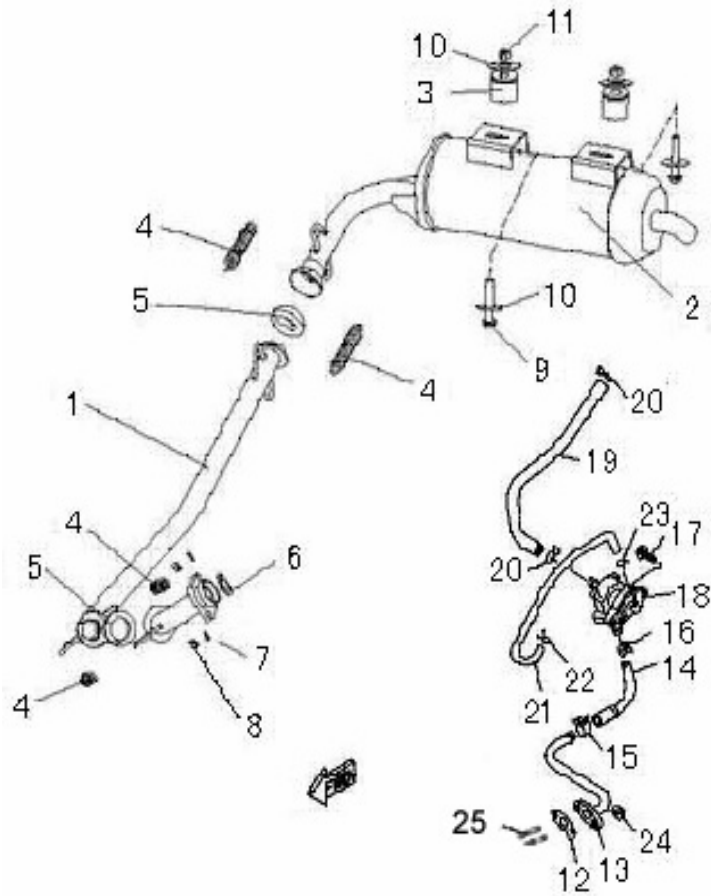


27 EXHAUST (FOR EUROPE)



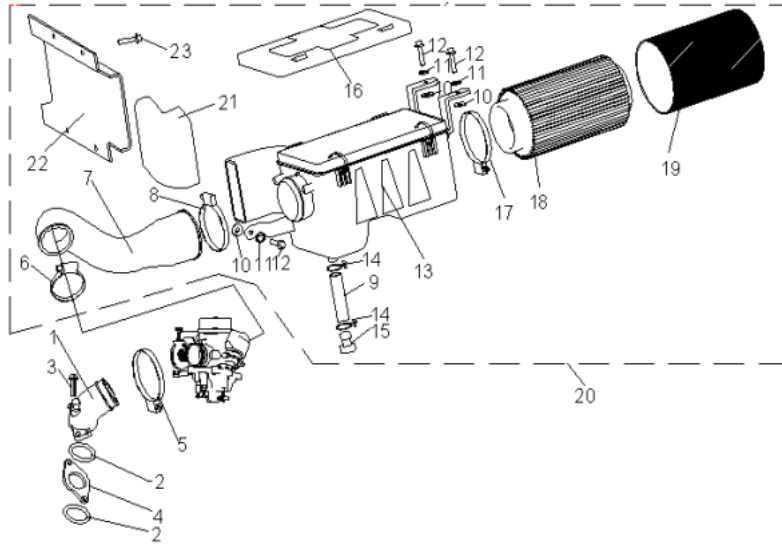
REF. No.	PART NO.	DESCRIPTION	Q'TY	图号	
1	26735	EXHAUST PIPE	1	LH300CUV. 14. 1	CUV300
2	26736	MUFFLER	1	LH300CUV. 14. 2a	CUV300
3	23415	MUFFLER SUPPORT	2	LH260ATV. 15. 2	CUV300
4	23408	SPRING	4	LH260ATV. 15-1	CUV300
5	10099	JOINT	2	LH260ATV-B. 14. 3	CUV300
6	23403	EXHAUST PIPE GASKET	1	170M. 19. 3	CUV300
7	10099	NUT M8	2	GB/T6170	CUV300
8	10106	WASHER 8	2	GB/T93	CUV300
9	10120	BOLT FLANGE M10X1. 25X62	2	GB/T16674. 1	CUV300
10	10117	WASHER PLATE 10	4	GB/T96	CUV300
11	10015	NUT M10X1. 25	2	GB/T6187	CUV300
12	43510	WASHER	1	170M. 20-10	CUV300
13	25210	JOINT BRACKET	1	170M-A. 20-12	CUV300
14	10004	NUT M6	2	GB/T6187	CUV300
15	10263	BOLT	2	170M. 20-11	CUV300

27 EXHAUST (FOR EUROPE)



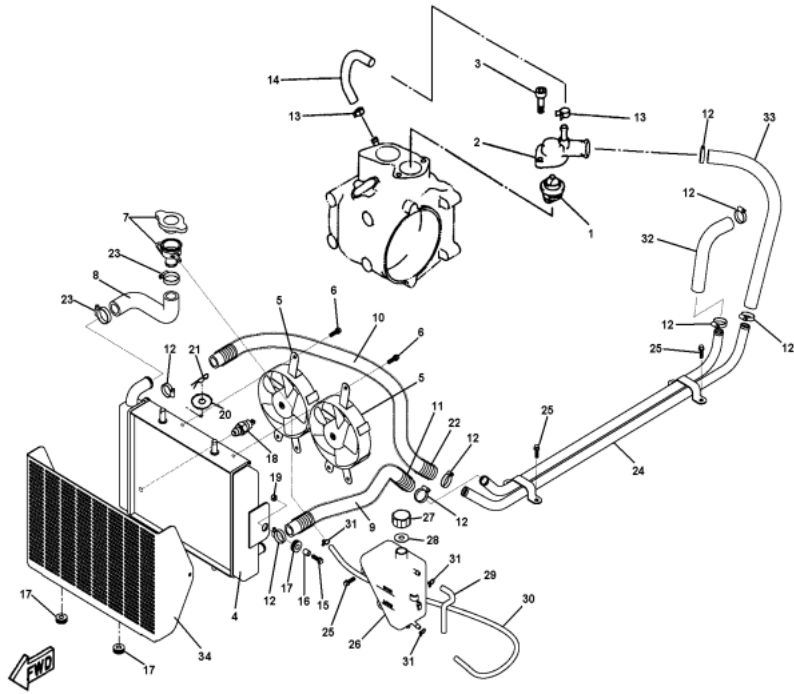
REF. No.	PART NO.	DESCRIPTION	Q'TY	图号	
1	26735	EXHAUST PIPE	1	LH300CUV. 14. 1	CUV300
2	26736	MUFFLER	1	LH300CUV. 14. 2a	CUV300
3	23415	MUFFLER SUPPORT	2	LH260ATV. 15. 2	CUV300
4	23408	SPRING	4	LH260ATV. 15-1	CUV300
5	10099	JOINT	2	LH260ATV-B. 14. 3	CUV300
6	23403	EXHAUST PIPE GASKET	1	170M. 19. 3	CUV300
7	10099	NUT M8	2	GB/T6170	CUV300
8	10106	WASHER 8	2	GB/T93	CUV300
9	10120	BOLT FLANGE M10X1. 25X62	2	GB/T16674. 1	CUV300
10	10117	WASHER PLATE 10	4	GB/T96	CUV300
11	10015	NUT M10X1. 25	2	GB/T6187	CUV300
12	43510	WASHER	1	170M. 20-10	CUV300
13	43511	HOSE	1	170M. 20. 3	CUV300
14	43512	HOSE C	1	170M. 20-8	CUV300
15	43513	CLIP 16	1	170M. 20-9	CUV300
16	22424	CLIP 13	1	170M. 20-4	CUV300
17	10110	BOLT M6X20	2	GB/T5789	CUV300
18	33230	VALVE	1	170M. 20. 2	CUV300
19	43525	HOSE B	1	170M. 20-3	CUV300
20	43519	HOSE CLAMP 16	2	170M. 20-2	CUV300
21	43520	PIPE	1	170M. 20-7	CUV300
22	43521	CLIP 9	1	170M. 20-6	CUV300
23	43522	CLIP 7. 6	1	170M. 20-5	CUV300
24	10004	NUT M6	2	GB/T6187	CUV300
25	10263	BOLT	2	170M. 20-11	CUV300

### 28 AIR CLEANER



REF. No.	PART NO.	DESCRIPTION	Q'TY	图号	
1	26743		1	LH300CUV. 15. 5	CUV300
2	23202	O-RING 35X2	2	170M. 17-13	CUV300
3	26259	SCOKET HEAD BOLT M6X25	2	GB/T70	CUV300
4	23204	JOINT	1	170M. 17-12	CUV300
5	23205	HOSE CLAMP D	1	170M. 17. 4	CUV300
6	26740	HOSE CLAMP C	1	LH300CUV. 15. 2	CUV300
7	26745	AIR CLEANER JOINT	1	LH300CUV. 15-2	CUV300
8	26739	HOSE CLAMP B	1	LH300CUV. 15. 1	CUV300
9	26744	HOSE	1	LH300CUV. 15-1	CUV300
10	10006	WASHER 6	3	GB/T96	CUV300
11	10308	WASHER 6	3	GB/T93	CUV300
12	26245	BOLT M6X30	3	GB/T16674. 1	CUV300
13	26742	AIR CLEANER CASE1	1	LH300CUV. 15. 4	CUV300
14	23214	CLIP	2	LH260ATV. 16-4	CUV300
15	23216	PLUG	1	LH260ATV. 16-5	CUV300
16	26741	COVER AIR CLEANER	1	LH300CUV. 15. 3	CUV300
17	23209	HOSE CLAMP A	1	LH260ATV. 16. 2	CUV300
18	23212	ELEMENT COMP AIR CLEANER	1	LH260ATV. 16. 1	CUV300
19	23213	FILTER COVER	1	LH260ATV. 16. 7	CUV300
20	26737	AIR CLEANER	1	LH300CUV. 15	CUV300
21	26746	JOINT HOSE		LH300CUV. 15-3	CUV300
22	26747	DUSTPROOF COVER		LH300CUV. 15-4	CUV300

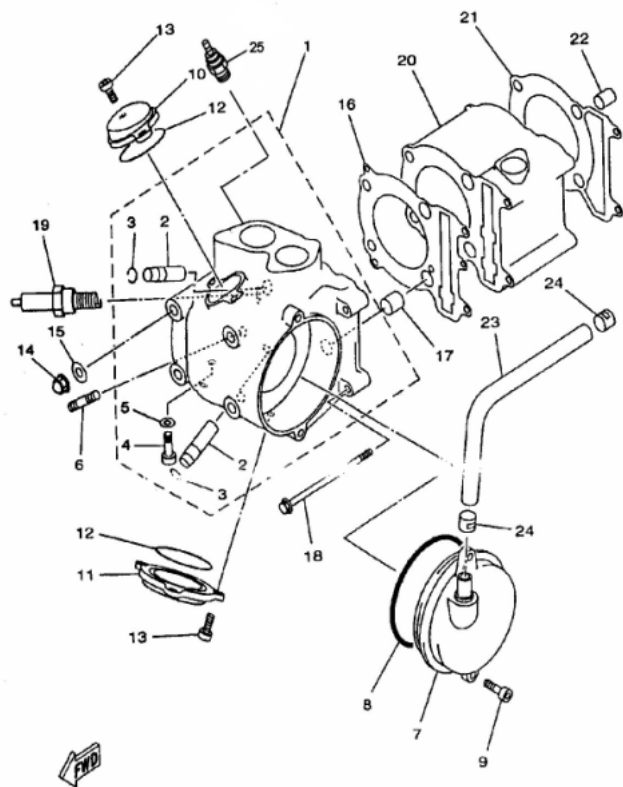
## 29 RADIATOR



REF. No.	PART NO.	DESCRIPTION	Q'TY	图号	
1	22901	THERMOSTAT	1	170M. 11. 7. 2	CUV300
2	22902	THERMOSTAT COVER	1	170M. 11. 7. 1	CUV300
3	10085	SOCKET HEAD BOLT M6X25	2	GB70	CUV300
4	26751	RADIATOR ASSY (THICKER)	1	LH300CUV. 16. 3	CUV300
5	26235	BLOWER ASSY	2	170M. 11. 2b	CUV300
6	26248	FLANGE BOLT M6X9	6	GB/T16674. 1	CUV300
7	22907A	SAFETY VALVE	1	170M. 11. 1	CUV300
8	26752	RADIATOR FILLER HOSE	1	LH300CUV. 16. 5	CUV300
9	26754	RETURN HOSE	1	LH300CUV. 16-2	CUV300
10	26753	FEED HOSE	1	LH300CUV. 16-1	CUV300
11	26236	SPRING CIMPRESSON	1	170M. 11-10	CUV300
12	26299	CLAMP 16/27	8	LH2V70. 12. 1	CUV300
13	22914	HOSE CLAMP2	2	170M. 1-7	CUV300
14	22915	HOSE1	1	170M. 11-13A	CUV300
15	10110	BOLT M6X20	2	GB/T5787	CUV300
16	22918	COLLAR	2	170M. 11-6	CUV300
17	22917	RADIATOR SIDE SUPT GROMME	4	170M. 11-5	CUV300
18	22919	THERMOSTAT SWITCH ASSY	1	170M. 11. 4	CUV300
19	10004	NUT M6	2	GB/6187-M6	CUV300
20	10019	WASHER PLATE 10	2	GB97-10	CUV300
21	10094	CLIP 2X20	2	GB91-2X20	CUV300
22	22912	COMPRESSION SPRING	2	170M-A. 11-10	CUV300
23	26983	CLAMP 20/32	2	LH520ATV. 16. 4	CUV300
24	26750	BRACKET	1	LH300CUV. 16. 2	CUV300
25	10140	BOLT M6X12	4	GB/T16674. 1	CUV300
26	22925	TANK RECOVERY	1	LH520ATV. 16. 2-1	CUV300
27	22926	COVER, TANK RECOVERY	1	LH520ATV. 16. 2. 1-	CUV300
28	25196	WASHER, TANK RECOVERY	1	LH520ATV. 16. 2. 1-	CUV300
29	25195	PIPE, TANK RECOVERY	1	LH520ATV. 16. 2-3	CUV300

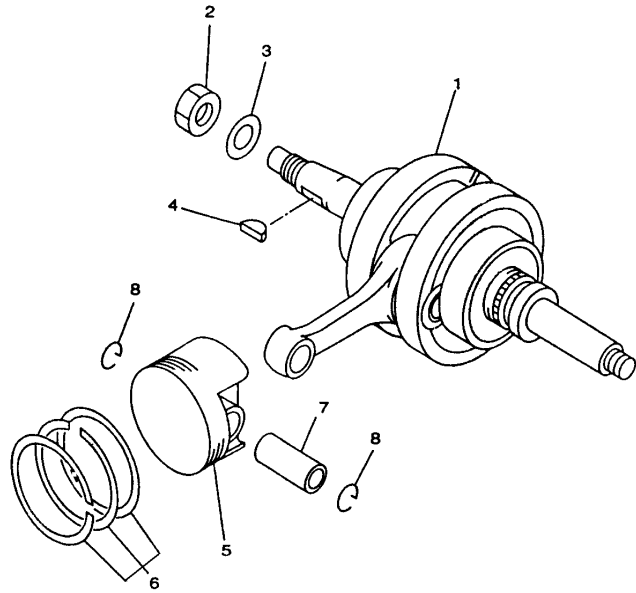
30	26749	PIPE	1	LH300CUV. 16. 1-1	CUV300
31	22924	PIPE 1	1	170M. 11. 6-5	CUV300
32	26755	FEED HOSE, VALVE	1	LH300CUV. 16-3	CUV300
33	26756	RETURN HOSE, CYLINDER	1	LH300CUV. 16-4	CUV300
34	26757	FENDER		LH300CUV. 16-6	CUV300

### 30 CYLINDER



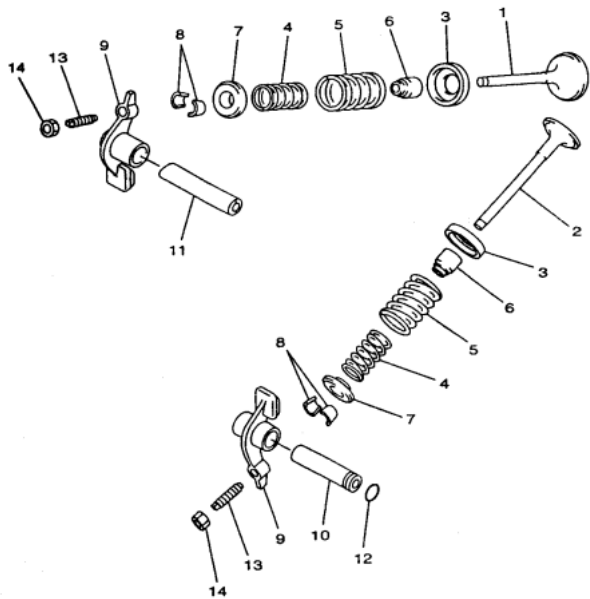
REF. No.	PART NO.	DESCRIPTION	Q'TY	图号	
1	22401B	CYLINDER HEAD ASSY (FOR 3	1	173M. 1. 1	CUV300
2	22402	GUIDE INTAKE VALVE	2	170M. 1. 1-2	CUV300
3	10112	CIRCLIP 12	2	170M. 1. 1-6	CUV300
4	10086	BOLT M6X12	1	GB5783	CUV300
5	22810	GASKET 6	1	170M. 1-9	CUV300
6	10014	BOLT STUD M8X25	2	GB898	CUV300
7	22407	BREATHER ASSY	1	170M. 1. 2. 1	CUV300
8	22408	O-RING 95X3. 3	1	170M. 1. 2-5	CUV300
9	10008	BOLT SOCKET HEAD M6X20	2	GB70	CUV300
10	22410	VALVE COVER INTAKE SIDE	1	170M. 1-1	CUV300
11	22411	VALVE COVER EXHAUST SIDE	1	170M. 1-3	CUV300
12	22412	O-RING 57. 5X2. 3	2	170M. 1-2	CUV300
13	10008	BOLT SOCKET HEAD M6X20	5	GB70	CUV300
14	22414	NUT CROWN M8	4	170M. 4-1	CUV300
15	22415	WASHER PLATE 8	4	170M. 4-2	CUV300
16	22416B	GASKET CYLINDER HEAD1 (FC	1	173M. 1. 3	CUV300
17	22417	PIN DOWEL 14X16	2	170M. 1-6	CUV300
18	22418	BOLT FLANGE M6X120	2	170M. 4-4	CUV300
19	22419	PLUG SPARK-NGK DR8EA	1	170M. 1. 5	CUV300
20	22420B	CYLINDER (FOR 300cc)	1	173M. 1-5	CUV300
21	22421	GASKET CYLINDER	1	170M. 1-4	CUV300
22	22422	PIN DOWEL 10X14	2	1E52FM010011	CUV300
23	22423	PIPE BREATHER1	1	170M. 1. 2-4	CUV300
24	22424	CLIP 13MM	2	170M. 20-4	CUV300
25	22014	THERMO UNIT	1	170M. 1. 4	CUV300

**31 CRANKSHAFT COMP**



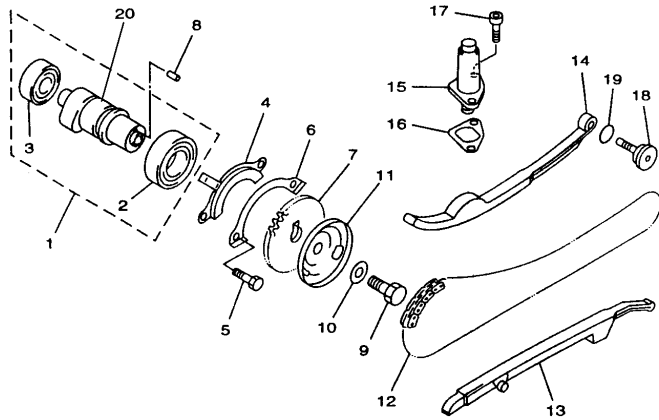
REF. No.	PART NO.	DESCRIPTION	Q'TY	图号	
1	22501	CRANKSHAFT ASSY	1	170M-A. 3. 2	CUV300
2	22502	NUT M16X1	1	170M. 3-1	CUV300
3	22503	WASHER PLATE 16	1	170M. 3-2	CUV300
4	22504	KEY WOODRUFF	1	170M. 3-3	CUV300
5	22505A	PISTON (FOR ATV300)	1	173M. 3-6	CUV300
6	22506A	PISTON RING SET (FOR ATV300)	1	173M. 3-7/173M. 3-	CUV300
7	22507	PISTON PIN	1	170M. 3-5	CUV300
8	22508	CLIP	2	170M. 3-4	CUV300

32 VALVE



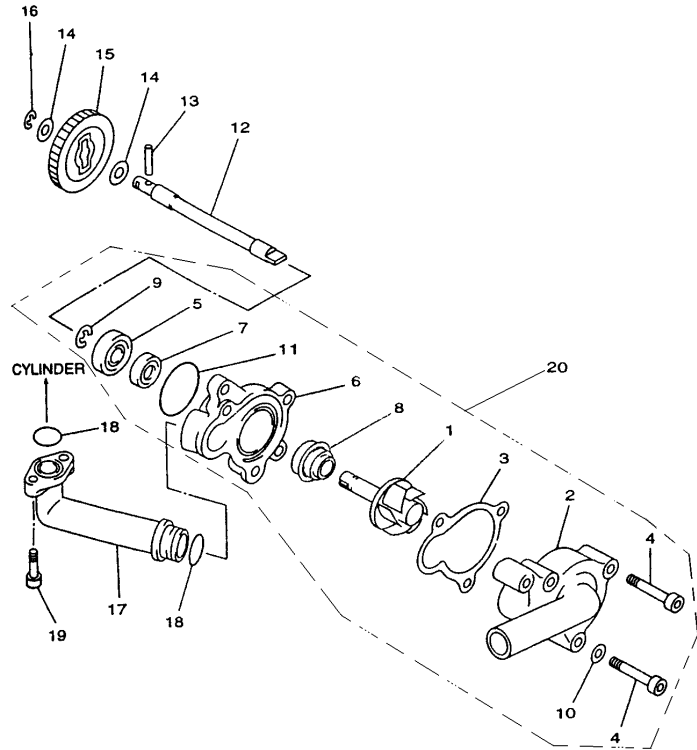
REF. No.	PART NO.	DESCRIPTION	Q'TY	图号	
1	22601	INTAKE VALVE	1	170M. 12-11	CUV300
2	22602	EXHAUST VALVE	1	170M. 12-3	CUV300
3	22603	SEAT SPRING VALVE	2	170M. 12-12	CUV300
4	22604	SPRING VALVE INNER	2	170M. 12-10	CUV300
5	22605	SPRING VALVE OUTER	2	170M. 12-9	CUV300
6	22606	SEAL VALVE STEM	2	170M. 12. 1	CUV300
7	22607	RETAINER SPRING VALVE	2	170M. 12-5	CUV300
8	22608	COTTER VALVE	4	170M. 12-4	CUV300
9	22609	ROCKER ARM VALVE	2	170M. 12. 2	CUV300
10	22610	EXHAUST ROCKER SHAFT	1	170M. 12-6	CUV300
11	22611	INTAKE ROCKER SHAFT	1	170M. 12-8	CUV300
12	22612	O-RING 9X2	1	170M. 12-7	CUV300
13	22613	ADJUSTING SCREW VALVE	2	170M. 12-2	CUV300
14	22614	NUT M6X0.75	2	170M. 12-1	CUV300

33 CAMSHAFT CHAIN



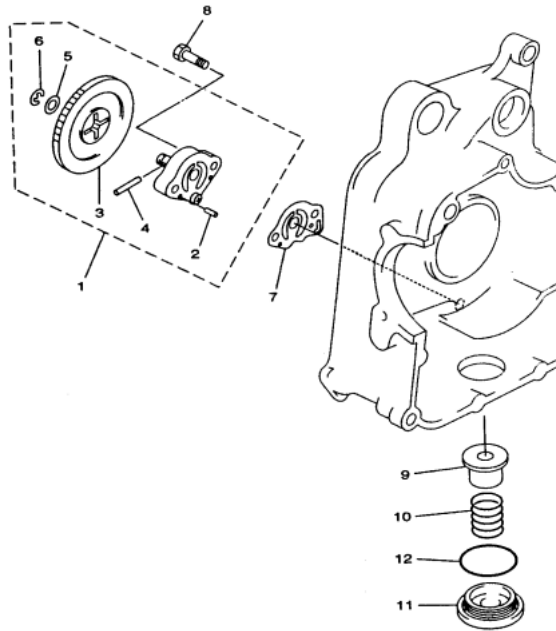
REF. No.	PART NO.	DESCRIPTION	Q'TY	图号	
1	22701	CAMSHAFT ASSY1	1	170M. 2	CUV300
2	10012	BEARING	1	GB276	CUV300
3	10013	BEARING (B6202Z)	1	GB276	CUV300
4	22704	PLATE	1	170M. 2-3	CUV300
5	10086	BOLT M6X12	2	GB5783	CUV300
6	22706	LOCK WASHER	1	170M. 2-2	CUV300
7	22707	CAM CHAIN SPROCKET	1	170M. 2-4	CUV300
8	10024	DOWEL PIN B4X10	1	GB119	CUV300
9	10025	BOLT M10X1.25X25	1	GB5786	CUV300
10	22710	WASHER PLATE 10	1	170M. 2-6	CUV300
11	22711	BREATHER PLATE2	1	170M. 2-5	CUV300
12	22712	CHAIN	1	170M. 14. 2	CUV300
13	22713	GUIDE STOPPER1	1	170M. 14. 4	CUV300
14	22714	GUIDE STOPPER2	1	170M. 14. 3	CUV300
15	22715	CAM CHAIN TENSIONER ASSY	1	170M. 14. 1	CUV300
16	22716	GASKET TENSIONER CASE	1	170M. 14-1	CUV300
17	10036	SOCKET HEAD BOLT M6X14	2	GB70	CUV300
18	22718	CHAIN TENSIONER PIVOT BOL	1	170M. 14-2	CUV300
19	22719	O-RING 14.5X1.8	1	170M. 14-3	CUV300
20	22720	CAMSHAFT	1	170M. 2-1	CUV300

### 34 WATER PUMP



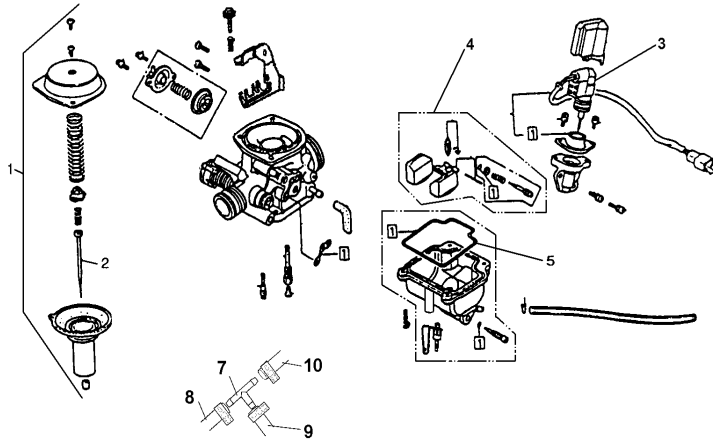
REF. No.	PART NO.	DESCRIPTION	Q'TY	图号	
1	22801	IMPELLER SHAFT ASSY	1	170M. 15. 4	CUV300
2	22802	HOUSING COVER	1	170M. 15-2	CUV300
3	22803	GASKET HOUSING COVER2	1	170M. 15-5	CUV300
4	10041	SOCKET HEAD BOLT M6X35	3	GB70-M6X35	CUV300
5	10043	BEARING	1	GB276	CUV300
6	22806	WATER PUMP HOUSING	1	170M. 15-3	CUV300
7	22807	OIL SEAL 10X21X5	1	170M. 15. 1	CUV300
8	22808	MECHANICAL SEAL	1	170M. 15. 2	CUV300
9	10044	CIRCLIP 9	1	170M. 15-6	CUV300
10	22810	GASKET 6	1	170M. 1-9	CUV300
11	10049	O-RING 33. 5X2. 65	1	GB3452. 1	CUV300
12	22812	SHAFT	1	170M. 15-1	CUV300
13	26270	DOWEL PIN C3X22	1	GB119	CUV300
14	22814	WASHER PLATE 8	2	170M. 8-6	CUV300
15	22815	IMPELLER SHAFT GEAR	1	170M. 15-4	CUV300
16	10072	CIRCLIP 8	1	GB894. 1-8	CUV300
17	22817	JOINT	1	170M. 15. 3. 1	CUV300
18	10082	O-RING 15. 5X2. 5	2	GB3452. 1	CUV300
19	10083	SOCKET HEAD BOLT M6X15	2	GB70	CUV300
20	22820	WATER PUMP ASSY	1	170M. 15	CUV300

35 OIL PUMP



REF. No.	PART NO.	DESCRIPTION	Q'TY	图号	
1	23101	OIL PUMP ASSY	1	170M. 8	CUV300
2	10096	DOWEL PIN 3X12	2	GB309-3X12	CUV300
3	23103	GEAR PUMP DRIVEN	1	170M. 8-8	CUV300
4	10097	DOWEL PIN C3X22	1	GB309-3X22	CUV300
5	22814	WASHER PLATE	1	170M. 8-6	CUV300
6	10130	CIRCLIP	1	GB896-6	CUV300
7	23107	GASKET	1	170M. 8-1	CUV300
8	10098	SCREW M6X25	2	GB191-M6X25	CUV300
9	23109	OIL STRAINER	1	170M. 4. 6	CUV300
10	23110	COMPRESSION SPRING	1	170M. 4-15	CUV300
11	23111	DRAIN PLUG	1	170M. 4-14	CUV300
12	23112	O-RING 36X3. 5	1	170M. 4-13	CUV300

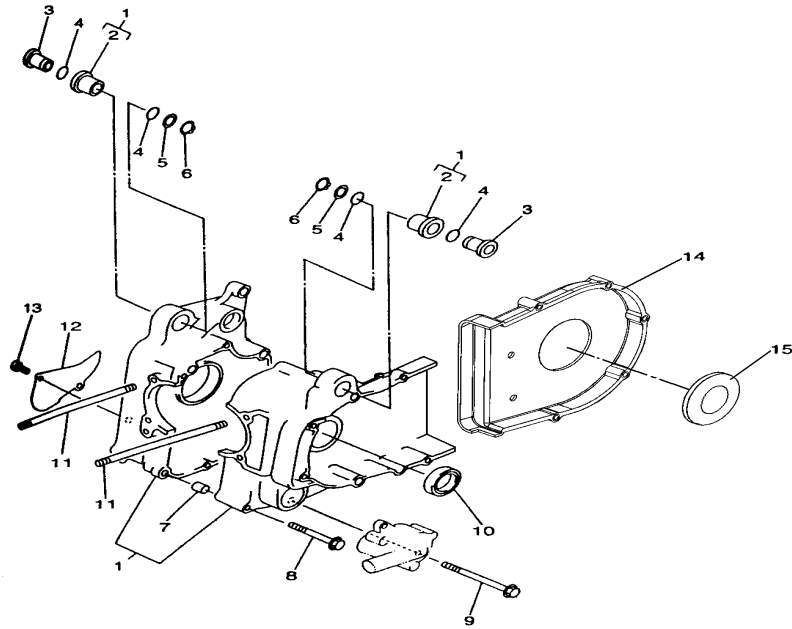
### 36 CARBURETOR



REF. No.	PART NO.	DESCRIPTION	Q'TY	图号	
1	23301	CARBURETOR ASSY (BOTTOM P 1	1	170M. 13. 2	CUV300
	23301A	CARBURETOR ASSY (TOP PULL 1	1	170M-A. 13	CUV300
2	23302	JET NEEDLE SET	1	170M. 13. 2-1	CUV300
3	23303	AUTO CHOKE ASSEM	1	170M. 13. 2. 1	CUV300
4	23304	FLOAT ASSY	1	170M. 13. 2. 2	CUV300
5	23305	BOWL GASKET	1	170M. 13. 2-2	CUV300
6	23306	MAIN JET	1	170M. 13. 2-3	CUV300
	25199	IDLE JET		170M. 13. 2-4	CUV300
7	30235	FUEL HOSE COUPLER	1	170M-A. 13-1	CUV300
8	23308	HOSE $\Phi 8 \times 4. 5 \times 260$	1	170M-A. 13. 1	CUV300
9	23309	HOSE $\Phi 8 \times 4. 5 \times 390$	1	170M-A. 13. 2	CUV300
10	23310	HOSE $\Phi 8 \times 4. 5 \times 280$	1	170M-A. 13. 3	CUV300

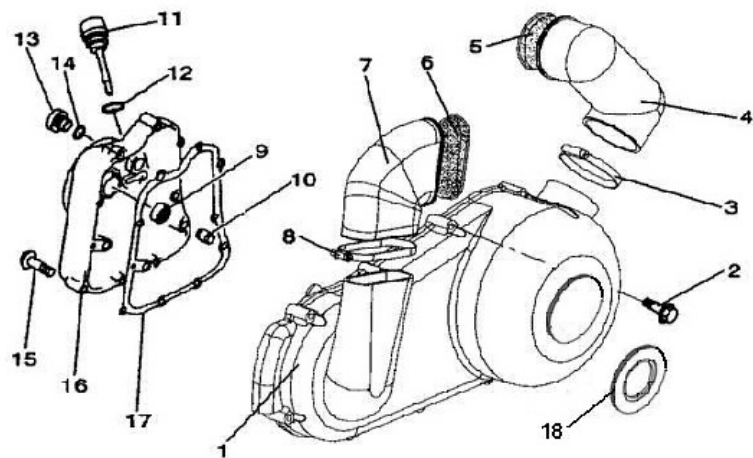
\* FOR NEW THROTTLE CABLE AND NEW JOINT CARBURETOR (THROTTLE COME FROM THE TOP

37 CRANKCASE



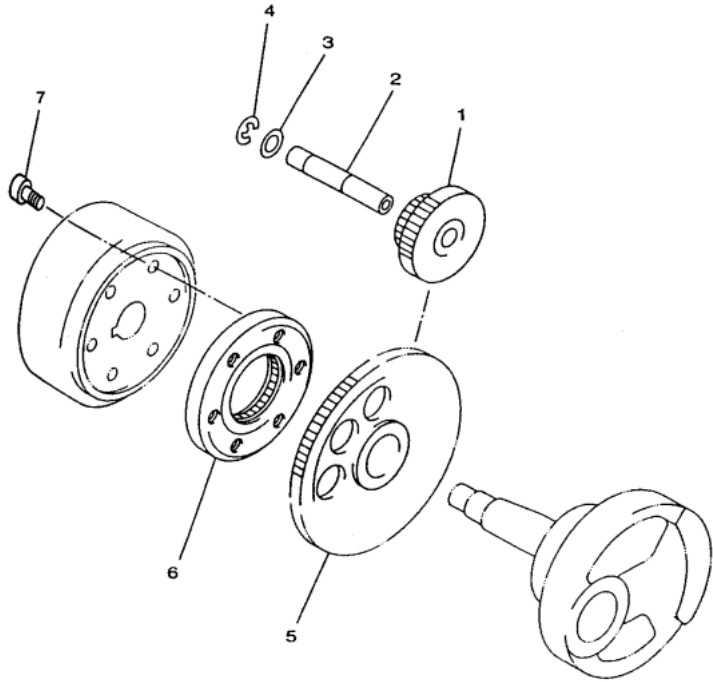
REF. No.	PART NO.	DESCRIPTION	Q'TY	图号	
1	23501	CRANKCASE ASSY	1	170M-A. 4	CUV300
2	23502	HOLDER	2	170M. 4. 7	CUV300
3	23503	COLLAR	2	170M. 4-17	CUV300
4	23504	O-RING16X2. 5	4	170M. 4-16	CUV300
5	23505	WASHER PLATE 16	2	170M. 4-18	CUV300
6	10121	CIRCLIP 16	2	GB894. 1-16	CUV300
7	22422	DOWEL PIN 10X14	2	1E52FM010011	CUV300
8	23508	FLANGE BOLT M6X70	4	170M. 4-5	CUV300
9	23509	FLANGE BOLT M6X100	5	153FM. 16-9	CUV300
10	23510	OIL SEAL 30X45X5	1	170M. 4. 3	CUV300
11	23511	STUD BOLT M8X245	4	170M. 4-3	CUV300
12	23512	COVER CRANKCASE RIGHT	1	170M. 4-12	CUV300
13	10036	SOCKET HEAD BOLT M6X14	2	GB70	CUV300
14	23514F	REAR INSIDE COVER	1	LH260ATV. 14. 1. 1	CUV300
15	23515	AIRPROOF COVER	1	LH260ATV. 14. 1-2	CUV300

38 LEFT& RIGHT COVER

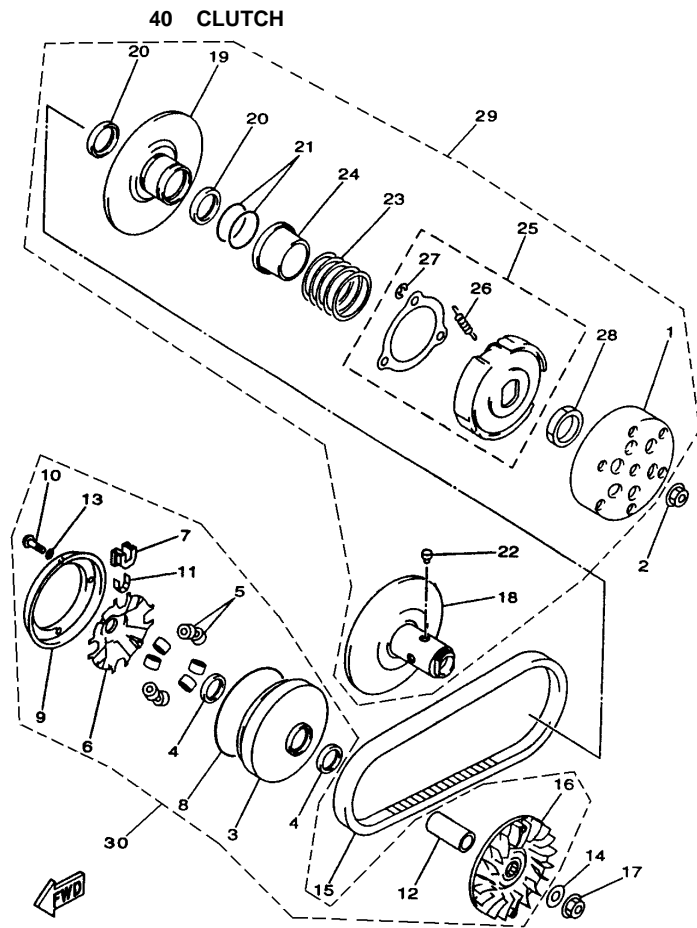


REF. No.	PART NO.	DESCRIPTION	Q'TY	图号
1	23601A	COVER CRANKCASE LEFT (WITH	1	LH260ATV. 14. 2-2a CUV300
2	23602	FLANGE BOLT M6X52	5	LH260ATV. 14. 1-3 CUV300
3	23603	HOSE CLAMP B	1	LH260ATV. 14. 2. 4 CUV300
4	23604	JOINT A	1	LH260ATV. 14. 2-3 CUV300
5	23605	AIR STRAINER B	1	LH260ATV. 14. 2. 3 CUV300
6	23606	AIR STRAINER A	1	LH260ATV. 14. 2. 2 CUV300
7	23607	JOINT B	1	LH260ATV. 14. 2-1 CUV300
8	23608	HOSE CLAMP A	1	LH260ATV. 14. 2. 1 CUV300
9	23609	OIL SEAL	1	170M. 5. 1 CUV300
10	22422	DOWEL PIN 10X14	4	1E52FM010011 CUV300
11	23611	OIL PLUG	1	170M. 5-5 CUV300
12	10122	O-RING 18X2. 65	1	GB3452. 1 CUV300
13	23613	OIL PLUG	1	170M. 5-4 CUV300
14	10123	O-RING 14X2. 65	1	GB3452. 1 CUV300
15	23615	FLANGE BOLT M6X40	15	170M. 4-21 CUV300
16	23616	CAP COVER	1	170M. 5-1 CUV300
17	23617	CRANKCASE COVER GASKET RI	1	170M. 5-2 CUV300
18	23619	RUBBER GASKET (WITH HIGH-	1	LH260ATV. 14. 2-4 CUV300

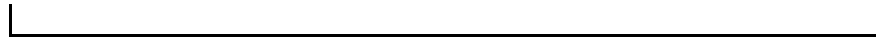
39 STARTER



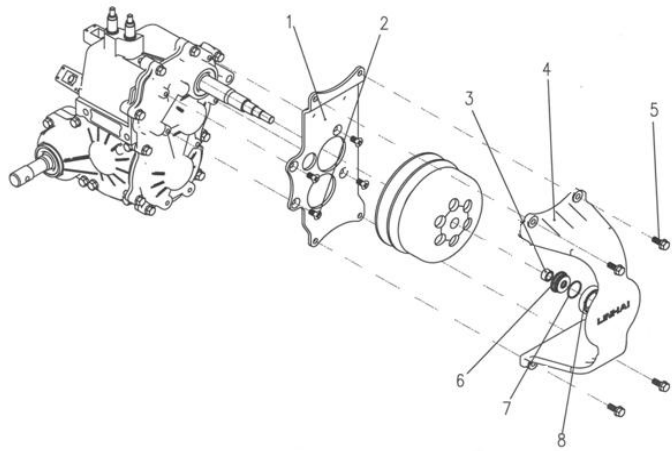
REF. No.	PART NO.	DESCRIPTION	Q'TY	图号	
1	23701	GEAR IDLER	1	170M. 7. 1	CUV300
2	23702	SHAFT	1	170M. 7-2	CUV300
3	23703	WASHER 12	1	170M. 7-1	CUV300
4	10129	CIRCLIP 12	1	GB894. 1	CUV300
5	23705	GEAR REDUCTION	1	170M. 7. 2	CUV300
6	23706	STARTER CLUTCH	1	170M. 7. 3	CUV300
7	10131	SOCKET HEAD BOLT M8X16	3	GB70	CUV300



REF. No.	PART NO.	DESCRIPTION	Q'TY	图号	
1	23801A	CLUTCH HOUSING COMP.	1	170M. 9. 2a. 3	CUV300
2	23802	NUT M14X1	1	170M. 9-2	CUV300
3	23803	PRIMARY SLIDING SHEAVE CO	1	170M. 9. 1. 1	CUV300
4	23804	OIL SEAL	2	170M. 9. 1-5	CUV300
5	23805	WEIGHT	8	170M. 9. 1. 2	CUV300
6	23806	CAM	1	170M. 9. 1-4	CUV300
7	23807	SLIDER	4	170M. 9. 1-1	CUV300
8	23808	O-RING 118X2. 5	1	170M. 9. 1-6	CUV300
9	23809	STOPPER	1	170M. 9. 1-2	CUV300
10	10132	PAN HEAD SCREW M4X12	4	GB818	CUV300
11	23811	SPACER 1	4	170M. 9. 1-3	CUV300
12	23812	COLLAR	1	170M. 9-1	CUV300
13	23813	WASHER PLATE 4	4	170M. 9. 1-8	CUV300
14	23814	WASHER PLATE 14	1	170M. 9-3	CUV300
15	23815	V-BELT	1	170M. 9-4	CUV300
16	23816	SHEAVE PRIMARY FIXED	1	170M. 9. 1-7	CUV300
17	23802	NUT M14X1	1	170M. 9-2	CUV300
18	23818	SECONDARY FIXED SHEAVE CO	1	170M. 9. 2. 1. 1	CUV300
	25212			170M. 9. 2. 1-5	CUV300
	25213			170M. 9. 2. 1-6	CUV300
	25214			170M. 9. 2. 1-7	CUV300
	25215			170M. 9. 2. 1-8	CUV300
19	23819A	SECONDARY SLIDING SHEAVE	1	170M. 9. 2a. 1. 2	CUV300
20	23820	OIL SEAL	2	170M. 9. 2. 1-4	CUV300
21	23821	O-RING 45X1. 8	2	170M. 9. 2. 1-3	CUV300
22	23822	PIN GUIDE	4	170M. 9. 2. 1-2	CUV300
23	23923	COMPRESSION SPRING	1	170M. 9. 2. 1	CUV300
24	23924	SEAT SECONDARY SPRING	1	170M. 9. 2. 1-1	CUV300
25	23925A	CLUTCH CARRIER ASSY *	1	170M. 9. 2a. 2	CUV300
26	23926A	CLUTCH WEIGHT SPRING 1 *	3	170M. 9. 2a. 2-4	CUV300
27	10133	CIRCLIP 8	3	GB896-8	CUV300
28	23928	NUT M36X1. 5	1	170M. 9. 2-2	CUV300
29	23929A	DRIVEN ASSY COMPLETE 1 *	3	170M. 9. 2a	CUV300
30	23930	DRIVE ASSY COMPLETE	1	170M. 9. 1	CUV300

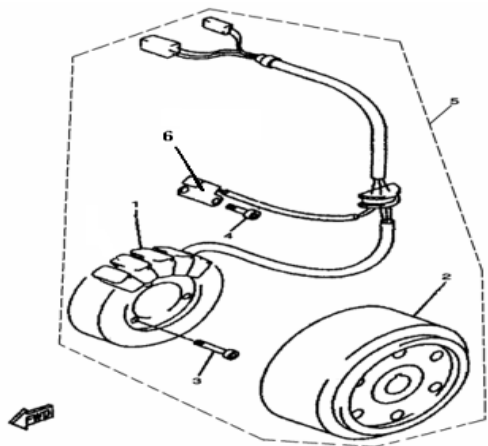


**HIGH-POWER CLUTCH STAND ASSY**



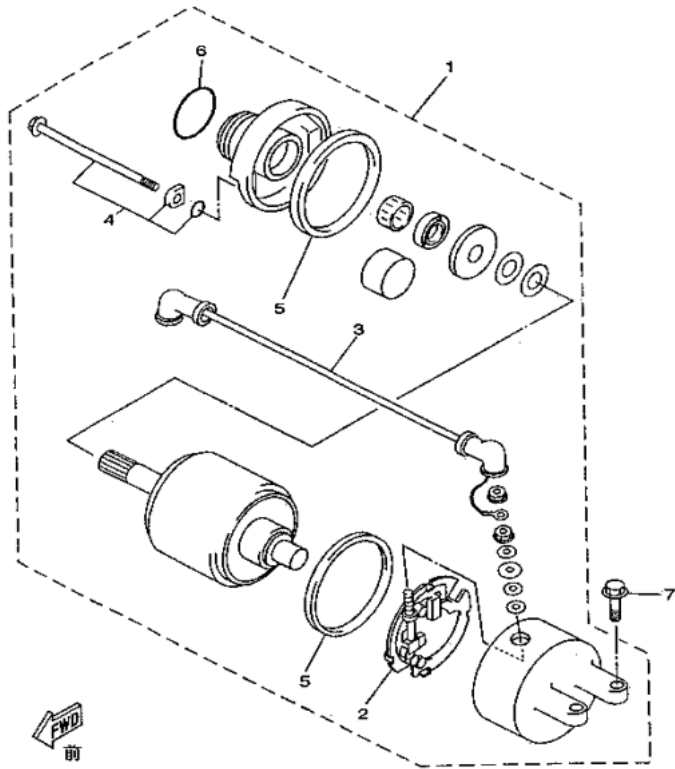
REF. No.	PART NO.	DESCRIPTION	Q'TY	图号
1	23941	BRACKET 1	1	LH260ATV. 14. 3. 1 CUV300
2	10424	SWCREW M8X12	4	GB/T819 CUV300
3	23942	SMALL SPACER	1	LH260ATV. 14. 3-2 CUV300
4	23943	BRACKET 2	1	LH260ATV. 14. 3-1 CUV300
5	10425	BOLT M8X22	4	GB/T16674. 1 CUV300
6	23944	SPACER	1	170M. 18-6 CUV300
7	10321	O-RING 26. 5X1. 8	1	GB/T3452. 1 CUV300
8	10426	BEARING 6906Z	1	GB/T276 CUV300

41 GENERATOR



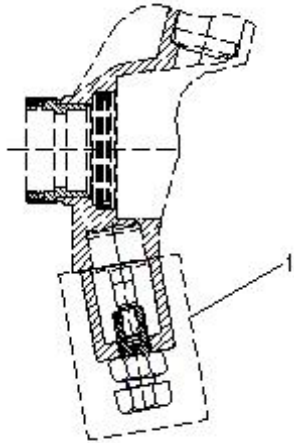
REF. No.	PART NO.	DESCRIPTION	Q'TY	图号	
1	24001	STATOR ASSY (THE COLOR	1	170M. 6. 1. 2	CUV300
2	24002	ROTOR ASSY (GREEN COL	1	170M. 6. 1. 1	CUV300
3	10134	SOCKET HEAD BOLT M5X25	3	GB70	CUV300
4	10135	SOCKET HEAD BOLT M5X12	2	GB70	CUV300
5	24005	GENERATOR ASSY	1	170M. 6. 1	CUV300
6	24006	PICK UP COIL	1	170M. 6. 1. 2. 2	CUV300

42 GENERA



REF. No.	PART NO.	DESCRIPTION	Q'TY	图号	
1	24101	STARTING MOTOR ASSY	1	170M. 16	CUV300
2	24102	BRUSH HOLD ASSY	1	170M. 16. 4	CUV300
3	24103	CORD, STARTER MOTOR	1	170M. 16. 2	CUV300
4	24104	BOLT	2	170M. 16-2	CUV300
5	24105	GASKET	2	170M. 16-3	CUV300
6	24106	O-RING 24. 5X3	1	170M. 16-1	CUV300
7	24107	FLANGE BOLT M6X25	2	170M. 4-6	CUV300

43SPECIAL TOOL KIT



REF. No.	PART NO.	DESCRIPTION	Q'TY	图号
1	24801	TOOL FOR BALL JOINT, STRUT 1		LH260ATV. 3. 2. 1GJ CUV300