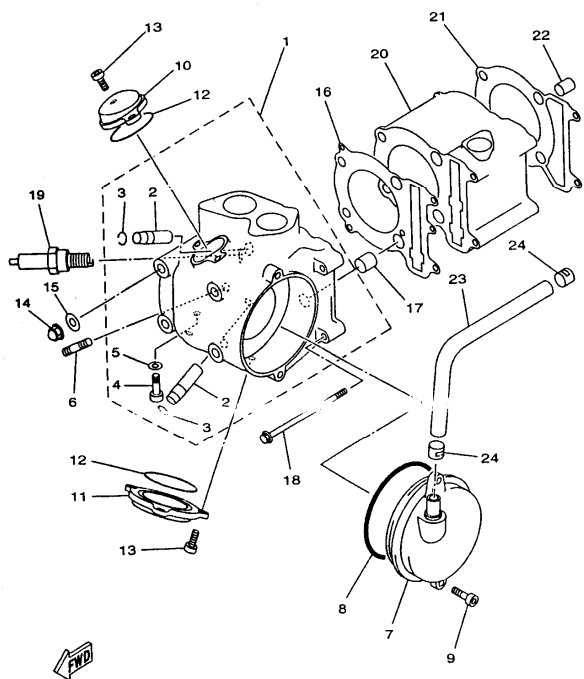
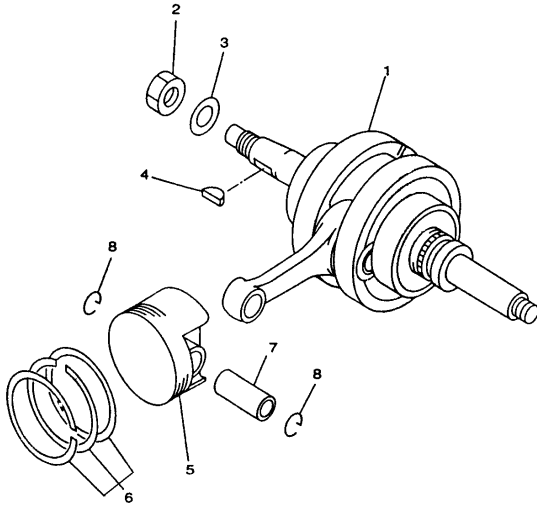


## 19 CYLINDER



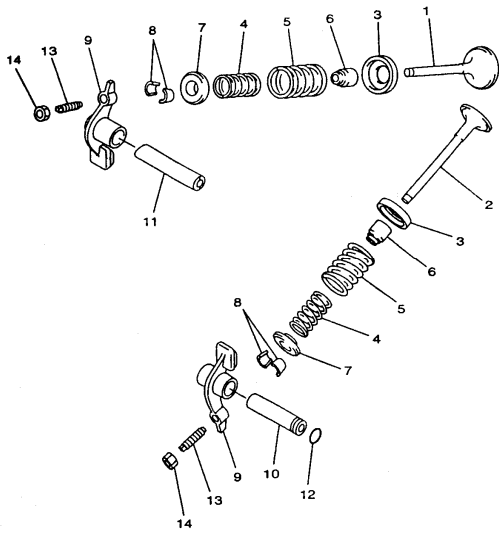
REF. No	PART NO.	DESCRIPTION	Q'TY	图号
1	22401a	CYLINDER HEAD ASSY	1	170M.1.1
	22401b	CYLINDER HEAD ASSY (FOR ATV300)	1	173M.1.1
2	22402	GUIDE INTAKE VALVE	2	170M.1.1-2
3	10112	CIRCLIP 12	2	GB895.2-12
4	10128	BOLT M6X12	1	GB5783-M6X12
5	22405	GASKET 6	1	170M.1.10
6	10014	BOLT STUD M8X25	2	GB898-M8X25
7	22407	BREATHER ASSY	1	170M.1.2.1
8	22408	O-RING 95X3.3	1	170M.1.2-5
9	10008	BOLT SOCKET HEAD M6X20	2	GB70-M6X20
10	22410	VALVE COVER INTAKE SIDE	1	170M.1-1
11	22411	VALVE COVER EXHAUST SIDE	1	170M.1-3
12	22412	O-RING 57.5X3.3	2	170M.1-2
13	10008	BOLT SOCKET HEAD M6X20	5	GB70-M6X20
14	22414	NUT CROWN M8	4	170M.4-1
15	22415	WASHER PLATE 8	4	170M.4-2
16	22416	GASKET CYLINDER HEAD1	1	170M.1.3
	22416a	GASKET CYLINDER HEAD2 (FOR ATV300)	1	17M3M.1.3
17	22417	PIN DOWEL 14X16	2	170M.1-6
18	22418	BOLT FLANGE M6X120	2	170M.4-4
19	22419	PLUG SPARK(NGK DR8EA)	1	170M.1.5
20	22420	CYLINDER	1	170M.1-5
	22420a	CYLINDER (FOR ATV300)	1	173M.1-5
21	22421	GASKET CYLINDER	1	170M.1-4
22	22422	PIN DOWEL 10X14	2	1E52FM010011
23	22423	PIPE BREATHER1	1	170M.1.2-4
24	22424	CLIP 12MM	2	170M.1.2-3

## 20 CRANKSHAFT COMP



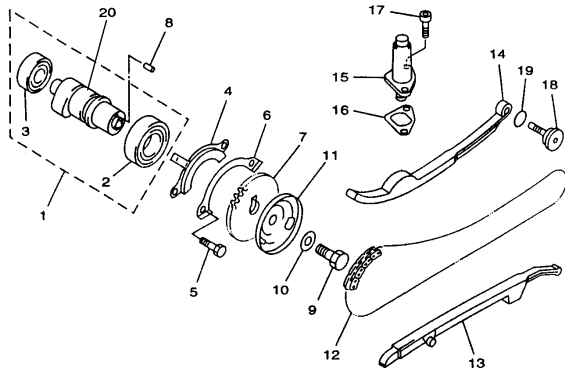
REF. No	PART NO.	DESCRIPTION	Q'TY	图号
1	22501	CRANKSHAFT ASSY	1	170M-A.3.2
2	22502	NUT M16X1	1	170M.3-1
3	22503	WASHER PLATE 16	1	170M.3-2
4	22504	KEY WOODRUFF	1	170M.3-3
5	22505	PISTON	1	170M.3-6
	22505a	PISTON (FOR ATV300)	1	173M.3-6
6	22506	PISTON RING SET	1	170M.3-7/173M.3-8/173M.3.1
	22506a	PISTON RING SET (FOR ATV300)	1	173M.3-7/170M.3-8/170M.3.2
7	22507	PISTON PIN	1	170M.3-5
8	22508	CLIP	2	170M.3-4

## 21 VALVE



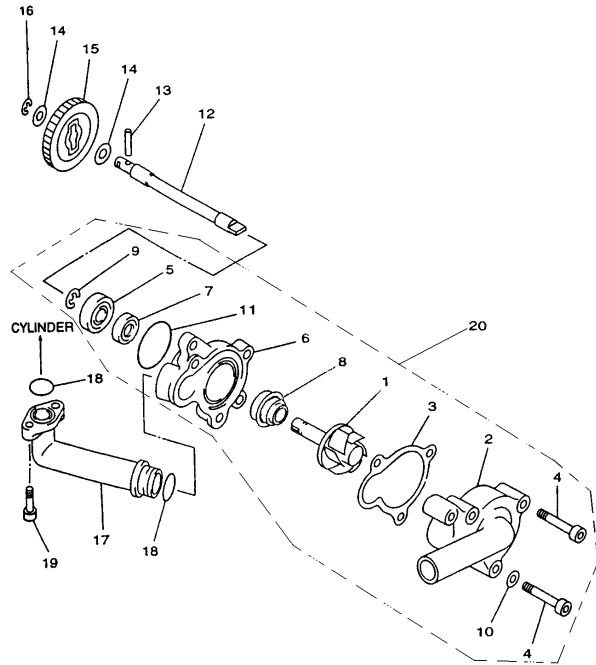
REF. No	PART NO.	DESCRIPTION	Q'TY	图号
1	22601	INTAKE VALVE	1	170M.12-11
2	22602	EXHAUST VALVE	1	170M.12-3
3	22603	SEAT SPRING VALVE	2	170M.12-12
4	22604	SPRING VALVE INNER	2	170M.12-10
5	22605	SPRING VALVE OUTER	2	170M.12-9
6	22606	SEAL VALVE STEM	2	170M.12.1
7	22607	RETAINER SPRING VALVE	2	170M.12-5
8	22608	COTTER VALVE	4	170M.12-4
9	22609	ROCKER ARM VALVE	2	170M.12.2
10	22610	EXHAUST ROCKER SHAFT	1	170M.12-6
11	22611	INTAKE ROCKER SHAFT	1	170M.12-8
12	22612	O-RING 9X2	1	170M.12-7
13	22613	ADJUSTING SCREW VALVE	2	170M.12-2
14	22614	NUT M6X0.75	2	170M.12-1

## 22 CAMSHAFT CHAIN



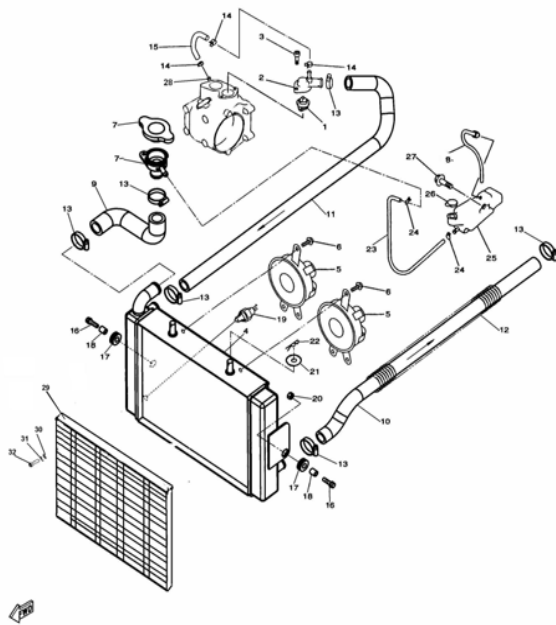
REF. No	PART NO.	DESCRIPTION	Q'TY	图号
1	22701	CAMSHAFT ASSY1	1	170M.2
2	10012	BEARING	1	GB276-105/P5
3	10013	BEARING(B6202Z)	1	GB278-60202/P5
4	22704	PLATE	1	170M.2-3
5	10128	BOLT M6X12	2	GB8573-M6X12
6	22706	LOCK WASHER	1	170M.2-2
7	22707	CAM CHAIN SPROCKET	1	170M.2-4
8	10024	DOWEL PIN B4X10	1	GB119-B4X10
9	10025	BOLT M10X1.25X25	1	GB5786-M10X1.25X25
10	22710	WASHER PLATE 10	1	170M.2-6
11	22711	BREATHER PLATE2	1	170M.2-5
12	22712	CHAIN	1	170M.14.2
13	22713	GUIDE STOPPER1	1	170M.14.4
14	22714	GUIDE STOPPER2	1	170M.14.3
15	22715	CAM CHAIN TENSIONER ASSY	1	170M.14.1
16	22716	GASKET TENSIONER CASE	1	170M.14-1
17	10036	SOCKET HEAD BOLT M6X14	2	GB70-M6X14
18	22718	CHAIN TENSIONER PIVOT BOLT	1	170M.14-2
19	22719	O-RING 14.5X1.8	1	170M.14-3
20	22720	CAMSHAFT	1	170M.2-1

## 23 WATER PUMP



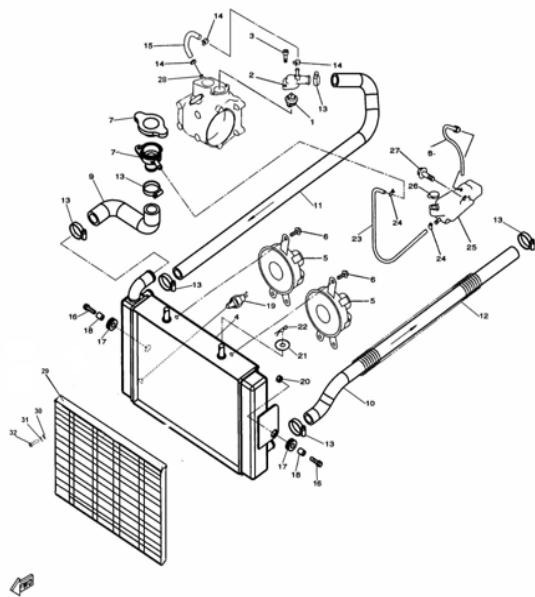
REF. No	PART NO.	DESCRIPTION	Q'TY	图号
1	22801	IMPELLER SHAFT ASSY	1	170M.15.4
2	22802	HOUSING COVER	1	170M.15-2
3	22803	GASKET HOUSING COVER2	1	170M.15-5
4	10041	SOCKET HEAD BOLT M6X35	3	GB70-M6X35
5	10043	BEARING	1	GB276-E110
6	22806	WATER PUMP HOUSING	1	170M.15-3
7	22807	OIL SEAL 10X21X5	1	170M.15.1
8	22808	MECHANICAL SEAL	1	170M.15.2
9	10044	CIRCLIP 10	1	GB894.1-10
10	22810	GASKET 6	1	170M.1-9
11	10049	O-RING 33.5X2.65	1	GB3452.1-33.5X2.65
12	22812	SHAFT	1	170M.15-1
13	10070	DOWEL PIN C3X22	1	GB119-C3X22
14	22814	WASHER PLATE 8	2	170M.8-6
15	22815	IMPELLER SHAFT GEAR	1	170M.15-4
16	10072	CIRCLIP 8	1	GB894.1-8
17	22817	JOINT	1	170M.15.3.1
18	10082	O-RING 15.5X2.5	2	GB3452.1-15.5X2.5
19	10083	SOCKET HEAD BOLT M6X15	2	GB70-M6X15
20	22820	WATER PUMP ASSY	1	170M.15

## 24 RADIATOR



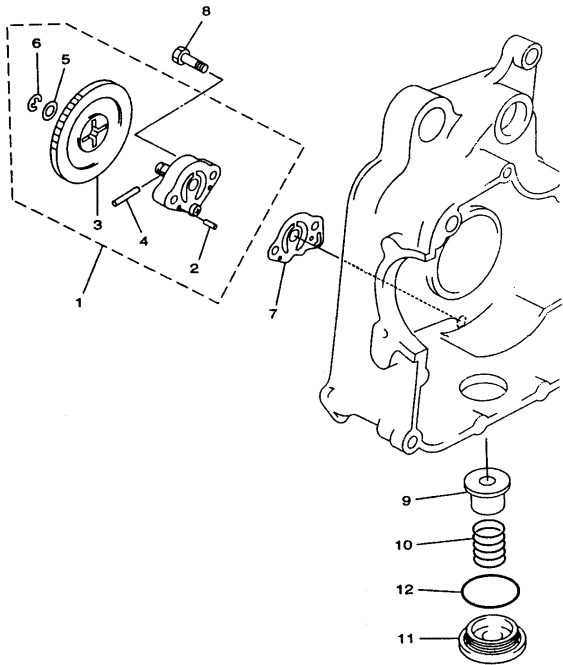
REF. No	PART NO.	DESCRIPTION	Q'TY	图号
1	22901	THERMOSTAT	1	170M.11.7.2
2	22902	THERMOSTAT COVER	1	170M.11.7.1
3	10085	SOCKET HEAD BOLT M6X25	2	GB70-M6X25
4	22904t	RADIATOR ASSY (THICKER)	1	170M-A.11.3c
5	22905t	BLOWER ASSY	2	170M-A.11.2
6	10087	FLANGE BOLT M6X9	6	GB5787-M6X9
7	22907a	SAFETY VALVE	1	170M.11.1.1
8	23028	PIPE 2	1	170M.11.6-2
9	22909t	RADIATOR FILLER HOSE	1	170M-A.11-2b
10	22910t	RETURN HOSE	1	170M-A.11-14a
11	22911	FEED HOSE	1	170M-A.11-11
12	22912	COMPRESSION SPRING	2	170M.11
13	22913	HOSE CLAMP1	6	170.M.11.9
14	22914	HOSE CLAMP2	2	170M.1-7
15	22915	HOSE1	1	170M.1-8
16	10110	BOLT M6X20	2	GB/T5787-M6X20
17	22917	RADIATOR SIDE SUPT GROMMET	2	170M.11-5
18	22918	COLLAR	2	170M.11-6
19	22919	THERMOSTAT SWITCH ASSY	1	170M.11.4
20	10004	NUT M6	2	GB/6187-M6
21	10019	WASHER PLATE 10	2	GB97-10
22	10094	CLIP 2X20	2	GB91-2X20
23	22923	PIPE 1	1	170M.11.6-5
24	22924	CLIP	2	170M.11.6-4
25	22925	TANK RECOVERY	1	170M.11.6-3
26	22926	CAP	1	170M.11.6.1

## 24 RADIATOR



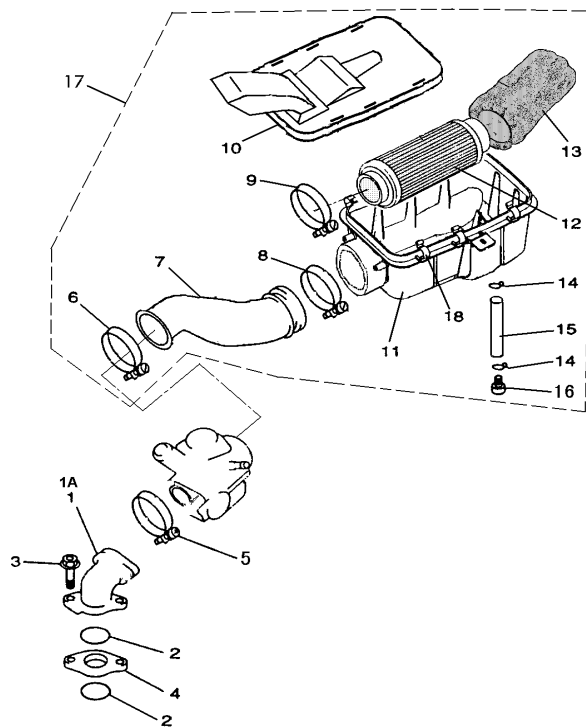
REF. No	PART NO.	DESCRIPTION	Q'TY	图号
27	10140	BOLT FLANGE M6X12	1	GB/T5787-M6X12
28	23001	JOIN	1	170M.1.1-5
29	23002	FENDER (USED FOR SPORT)	1	170M-A.11.3d.1
30	10011	WASHER 6 (USED FOR SPORT)	4	GB/T95
31	10422	SPRING WASHER (USED FOR SPORT)	4	GB/T859
32	10423	BOLT FLANGE M6X14 (USED FOR SPORT)	4	GB/T5783

## 25 OIL PUMP



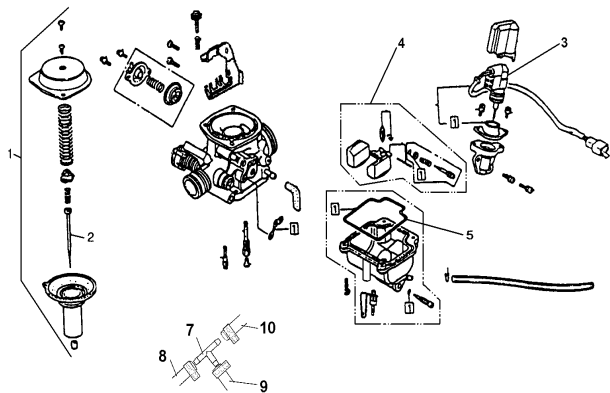
REF. No	PART NO.	DESCRIPTION	Q'TY	图号
1	23101	OIL PUMP ASSY	1	170M.8
2	10096	DOWEL PIN 3X12	2	GB309-3X12
3	23103	GEAR PUMP DRIVEN	1	170M.8-8
4	10097	DOWEL PIN C3X22	1	GB309-3X22
5	22814	WASHER PLATE	1	170M.8-6
6	10130	CIRCLIP	1	GB896-6
7	23107	GASKET	1	170M.8-1
8	10098	SCREW M6X25	2	GB191-M6X25
9	23109	OIL STRAINER	1	170M.4-6
10	23110	COMPRESSION SPRING	1	170M.4-15
11	23111	DRAIN PLUG	1	170M.4-14
12	23112	O-RING 36X3.5	1	170M.4-13

## 26 AIR CLEANER



REF. No	PART NO.	DESCRIPTION	Q'TY	图号
1	23201	JOINT CARBURETOR (BOTTOM PULL CABLE TYPE)	1	170M-A.17.2
1A	23201a	JOINT CARBURETOR (TOP PULL CABLE TYPE)	2	170M-A.17.2a
2	23202	O-RING 35X2	2	170M.17-13
3	10085	SCOKET HEAD BOLT M6X25	2	GB70-M6X25
4	23204	JOINT	1	170M.17-12
5	23205	HOSE CLAMP D	1	170M.17.4
6	23206	HOSE CLAMP C	1	LH260ATV.16.6
7	23207	AIR CLEANER JOINT	1	LH260ATV.16-2
8	23208	HOSE CLAMP B	1	LH260ATV.16.4
9	23209	HOSE CLAMP A	1	LH260ATV.16.2
10	23210	COVER AIR CLEANER	1	LH260ATV.16.5
11	23211	AIR CLEANER CASE1	1	LH260ATV.16.3
12	23212	ELEMENT COMP AIR CLEANER	1	LH260ATV.16.1
13	23213	FILTER COVER	1	LH260ATV.16.7
14	23214	CLIP	2	LH260ATV.16-4
15	23215	HOSE	1	LH260ATV.16-3
16	23216	PLUG	1	LH260ATV.16-5
17	23217	AIR CLEANER ASSY	1	LH260ATV.16
18	23218	AIR CLEANER COVER CLIP	6	

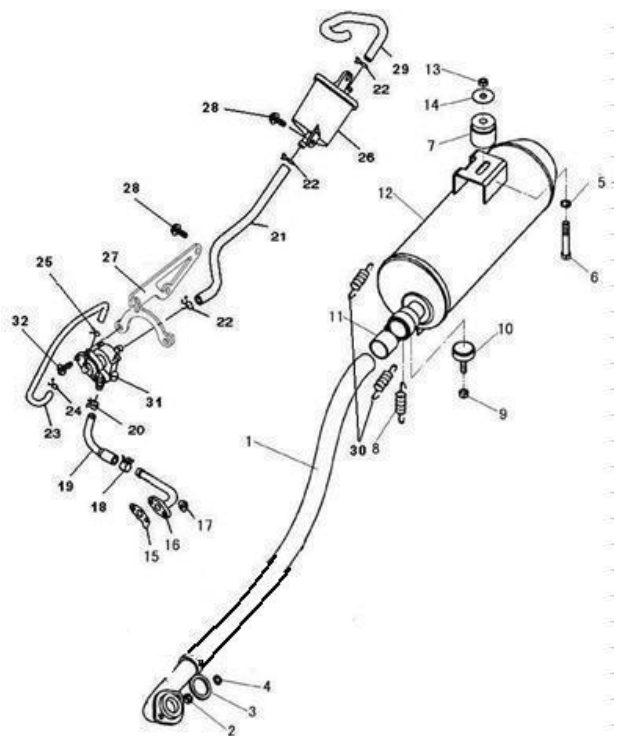
## 27 CARBURETOR



REF. No	PART NO.	DESCRIPTION	Q'TY	图号
1	23301	CARBURETOR ASSY (BOTTOM PULL CABLE TYPE)	1	170M-A.13
	23301a	CARBURETOR ASSY (TOP PULL CABLE TYPE)	1	170M-A.13
2	23302	JET NEEDLE SET	1	170M.13.2-1
3	23303	AUTO CHOKE ASSEM	1	170M.13.2.1
4	23304	FLOAT ASSY	1	170M.13.2.2
5	23305	BOWL GASKET	1	170M.13.2-2
6	23306	MAIN JET	1	170M.13.2-3
	23307	IDLE JET		170M.13.2-4
7	30235	FUEL HOSE COUPLER	1	170M-A. 13-1
8	23308	HOSE $\Phi 8 \times 4.5 \times 260$	1	170M-A. 13. 1
9	23309	HOSE $\Phi 8 \times 4.5 \times 390$	1	170M-A. 13. 2
10	23310	HOSE $\Phi 8 \times 4.5 \times 280$	1	170M-A. 13. 3

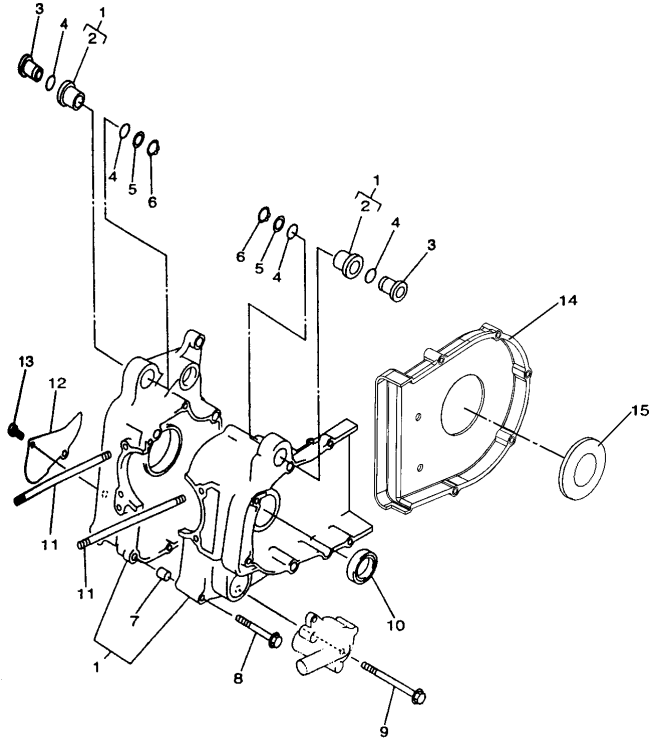
\* FOR NEW THROTTLE CABLE AND NEW JOINT CARBURETOR (THROTTLE COME FROM THE TOP OF THE CARBURETOR)

## 28 EXHAUST



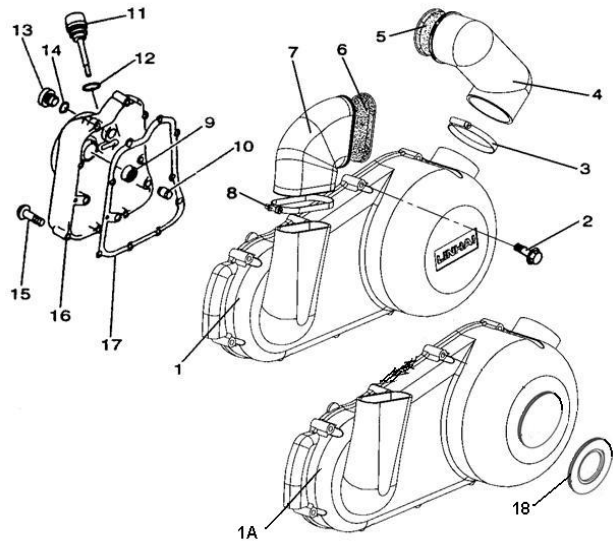
REF. No.	CODE	DESCRIPTION	Q'TY	PART No.
1	23433A	EXHAUST PIPE	1	LH260ATV.15.4.1
2	10099	NUT M8	2	GB/T6170-M8
3	23403	EXHAUST PIPE GASKET	1	170M.19.3
4	10106	WASHER 8	3	GB/T93 -8
5	10117	WASHER PLATE 10	1	GB/T96-10
6	10120	BOLT FLANGE M10X1.25X62	1	GB/T5787-M10X1.25X62
7	23415	MUFFLER SUPPORT	1	LH260ATV. 15. 2
8	23408	SPRING	1	LH260ATV. 15-1
9	10099	NUT M8	2	GB/T6170-M8
10	23410	MUFFLER SUPPORT BOTTOM	1	LH260ATV. 15. 3
11	23411	MUFFLER JOINT	2	170M.19.4
12	33412	MUFFLER	1	LH260ATV. 15b. 1
13	10015	NUT M10X1.25	1	GB/T6187 -M10X1.25
14	10117	WASHER PLATE 10	1	GB/T96-10
15	43510	WASHER	1	170M.20-10
16	43511	HOSE	1	170M.20.3
17	10004	NUT M6	2	GB/T6187
18	43513	CLIP 16	1	170M.20-9
19	43512	HOSE C	1	170M.20-8
20	43514	CLIP 13	1	170M.20-4
21	43525	HOSE B	1	170M.20-3
22	43519	HOSE CLAMP 16	3	170M.20-2
23	43520	PIPE	1	170M.20-7
24	43521	CLIP 9	1	170M.20-6
25	43522	CLIP 7.6	1	170M.20-5
26	43523	FILTER	1	170M.20.1
27	33227	VALVE BRACKET	1	170M-A.20.4
28	10140	BOLT M6X12	4	GB/T5787
29	43518	HOSE A	1	170M.20-1
30	33230	SPRING	1	YB100S. 13-2
31	43516	VALVE	1	170M.20.2
32	10263	BOLT M6X20	2	GB/T5789

## 29 CRANKCASE



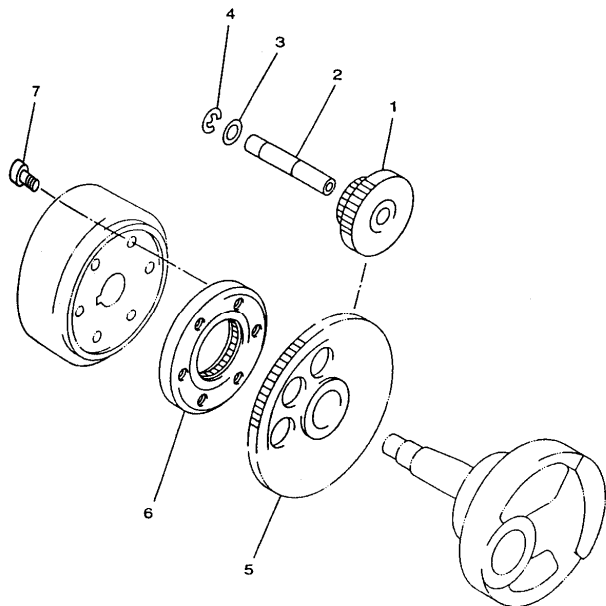
REF. No	PART NO.	DESCRIPTION	Q'TY	图号
1	23501	CRANKCASE ASSY	1	170M-A.4
2	23502	HOLDER	2	170M.4.7
3	23503	COLLAR	2	170M.4-17
4	23504	O-RING	4	170M.4-16
5	23505	WASHER PLATE 16	2	170M.4-18
6	10121	CIRCLIP 16	2	GB894.1-16
7	22422	DOWEL PIN 10X14	2	1E52FM010011
8	23508	FLANGE BOLT M6X70	4	170M.4-5
9	23509	FLANGE BOLT M6X100	5	153FM.16-9
10	23510	OIL SEAL 30X45X5	1	170M.4.3
11	23511	STUD BOLT M8X245	4	170M.4-3
12	23512	COVER CRANKCASE RIGHT	1	170M.4-12
13	10036	SOCKET HEAD BOLT M6X14	2	GB70-M6X14
14	23514f	REAR INSIDE COVER	1	LH260ATV.14.1.1
15	23515	SEALING 2 5 X 8 0 X 1 0	1	170M-B.4.4

### 30 LEFT&RIGHT COVER



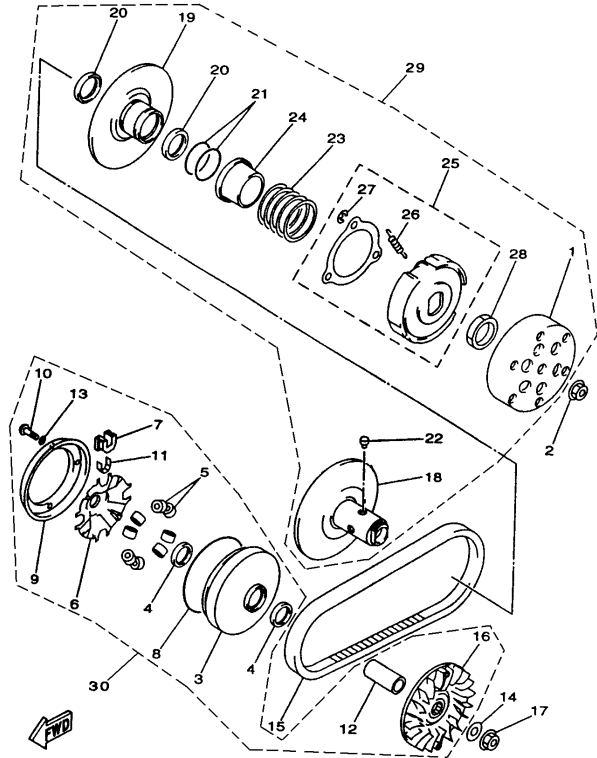
REF. No	PART NO.	DESCRIPTION	Q'TY	图号
1	23601	COVER CRANKCASE LEFT	1	LH260ATV.14.2-2
1A	23601a	COVER CRANKCASE LEFT (WITH HIGH-POWER CLUTCH)	1	LH260ATV.14.2-2a
2	23602	FLANGE BOLT M6X52	10	170M.4-21
3	23603	HOSE CLAMP B	1	LH260ATV.14.2.4
4	23604	JOINT A	1	LH260ATV.14.2-3
5	23605	AIR STRAINER B	1	LH260ATV.14.2.3
6	23606	AIR STRAINER A	1	LH260ATV.14.2.2
7	23607	JOINT B	1	LH260ATV.14.2-1
8	23608	HOSE CLAMP A	1	LH260ATV.14.2.1
9	23609	OIL SEAL	1	170M.5.1
10	22422	DOWEL PIN 10X14	4	1E52FM010011
11	23611	OIL PLUG	1	170M.5-5
12	10122	O-RING 18X2.65	1	GB3452.1-18X2.65
13	23613	OIL PLUG	1	170M.5-4
14	10123	O-RING 14X2.65	1	GB3452.1-14X2.65
15	23615	FLANGE BOLT M6X40	10	170M.4-21
16	23616	CAP COVER	1	170M.5-1
17	23617	CRANKCASE COVER GASKET RIGHT	1	170M.5-2
18	23618	RUBBER GASKET(WITH HIGH-POWER CLUTCH)	1	LH260ATV.14.2-4

### 31 STARTER



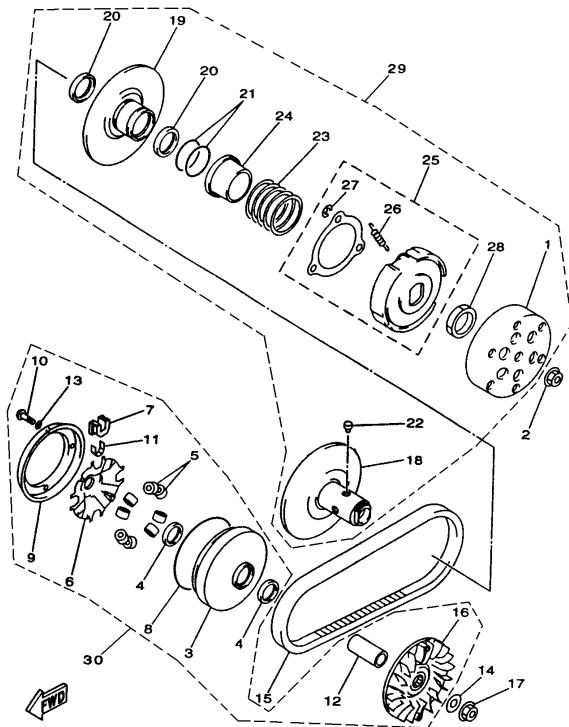
REF. No	PART NO.	DESCRIPTION	Q'TY	图号
1	23701	GEAR IDLER	1	170M.7.1
2	23702	SHAFT	1	170M.7-2
3	23703	WASHER 12	1	170M.7-1
4	10129	CIRCLIP 12	1	GB894.1-12
5	23705	GEAR REDUCTION	1	170M.7.2
6	23706	STARTER CLUTCH	1	170M.7.3
7	10131	SOCKET HEAD BOLT M8X16	3	GB70-M8X16

## 32 CLUTCH



REF. No	PART NO.	DESCRIPTION	Q'TY	图号
1	23801	CLUTCH HOUSING COMP.	1	170M.9.2.3
	23801a	CLUTCH HOUSING COMP. *	1	170M.9.2a.3
2	23802	NUT M14X1	1	170M.9-2
3	23803	PRIMARY SLIDING SHEAVE COMP	1	170M.9.1.1
4	23804	OIL SEAL	2	170M.9.1-5
5	23805	WEIGHT	8	170M.9.1.2
6	23806	CAM	1	170M.9.1-4
7	23807	SLIDER	4	170M.9.1-1
8	23808	O-RING 118X2.5	1	170M.9.1-6
9	23809	STOPPER	1	170M.9.1-2
10	10132	PAN HEAD SCREW M4X12	4	GB818-M4X12
11	23811	SPACER 1	4	170M.9.1-3
12	23812	COLLAR	1	170M.9-1
13	23813	WASHER PLATE 4	4	170M.9.1-8
14	23814	WASHER PLATE 14	1	170M.9-3
15	23815	V-BELT	1	170M.9-4
16	23816	SHEAVE PRIMARY FIXED	1	170M.9.1-7
17	23802	NUT M14X1	1	170M.9-2
				170M.9.2.1.1
				170M.9.2.1-5
18	23818	SECONDARY FIXED SHEAVE COMP.INCLUDE TWO BEARINGS ONE OIL SEAL AND ONE CIRCLIP	1	170M.9.2.1-6
				170M.9.2.1-7
				170M.9.2.1-8
19	23819	SECONDARY SLIDING SHEAVE	1	170M.9.2.1.2
	23819a	SECONDARY SLIDING SHEAVE *	1	170M.9.2a.1.2
20	23820	OIL SEAL	2	170M.9.2.1-4
21	23821	O-RING 45X1.8	2	170M.9.2.1-3
22	23822	PIN GUIDE	4	170M.9.2.1-2

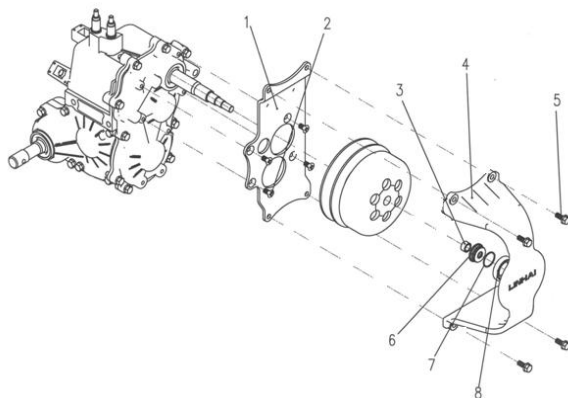
## 32 CLUTCH



REF. No	PART NO.	DESCRIPTION	Q'TY	图号
23	23923	COMPRESSION SPRING	1	170M.9.2.1
24	23924	SEAT SECONDARY SPRING	1	170M.9.2.1-1
25	23925	CLUTCH CARRIER ASSY	1	170M.9.2.2
	23925a	CLUTCH CARRIER ASSY *	1	170M.9.2a.2
26	23926	CLUTCH WEIGHT SPRING 1	3	170M.9.2.2-4
	23926a	CLUTCH WEIGHT SPRING 1 *	3	170M.9.2a.2-4
27	10133	CIRCLIP 8	3	GB896-8
28	23928	NUT M36X1.5	1	170M.9.2-2
29	23929	DRIVEN ASSY COMPLETE	1	170M.9.2
	23929a	CLUTCH WEIGHT SPRING 1 *	3	170M.9.2a
30	23930	DRIVE ASSY COMPLETE	1	170M.9.1

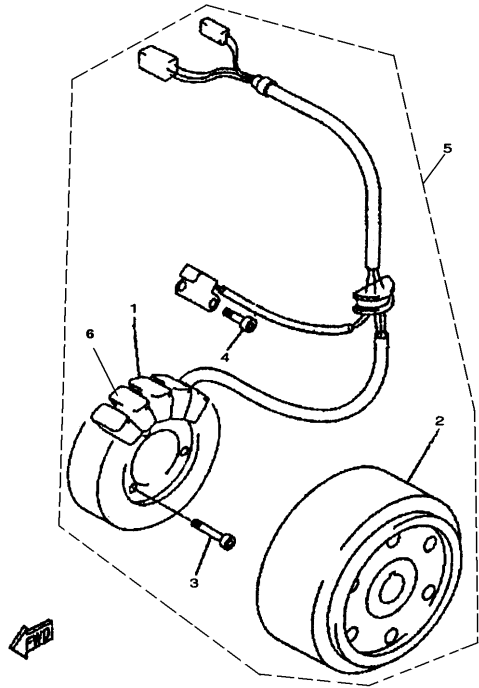
\*NOTE TO PREVENT DAMAGE AND ASSURE PROPER PERFORMANCE FOLLOW THIS GUIDES:  
 23801a 23819a 23925a 23926a 23929a REQUIRED THE USE OF RIGHT HIGH-POWER CLUCH.

## HIGH-POWER CLUTCH STAND ASSY



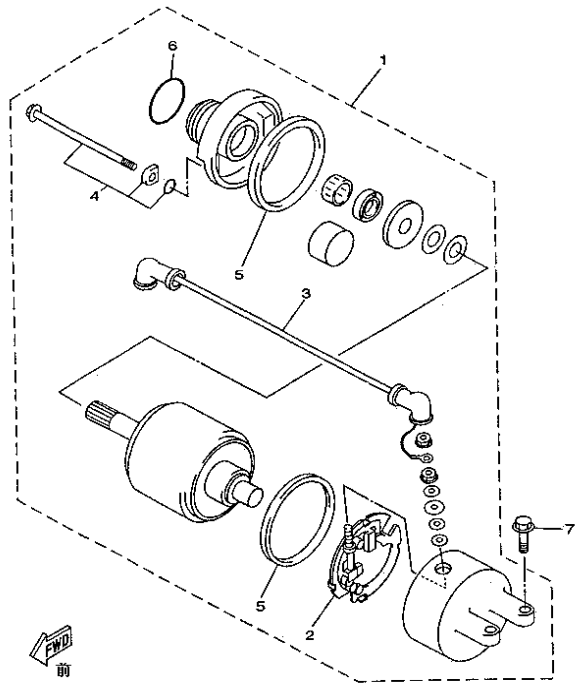
REF. No	PART NO.	DESCRIPTION	Q'TY	图号
1	23941	BRACKET 1	1	LH260ATV.14.3.1
2	10424	SWCREW M8X12	4	GB/T819
3	23942	SMALL SPACER	1	LH260ATV.14.3-2
4	23943	BRACKET 2	1	LH260ATV.14.3-1
5	10425	BOLT M8X22	4	GB/T16674.1
6	23944	SPACER	1	170M.18-6
7	10321	O-RING 26.5X1.8	1	GB/T3452.1
8	10426	BEARING 6906Z	1	GB/T276

### 33 GENERATOR



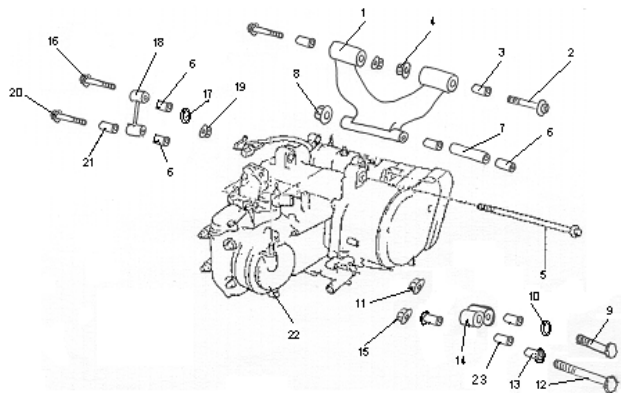
REF. No	PART NO.	DESCRIPTION	Q'TY	图号
1	24001	STATOR ASSY	1	170M.6.1.2
2	24002	ROTOR ASSY	1	170M.6.1.1
3	10134	SOCKET HEAD BOLT M5X25	3	GB70-M5X25
4	10135	SOCKET HEAD BOLT M5X12	2	GB70-M5X12
5	24005	GENERATOR ASSY	1	170M.6.1
6	24006	COIL INDUCTANCE		170M.6.1.2.2

### 34 STARTING MOTOR



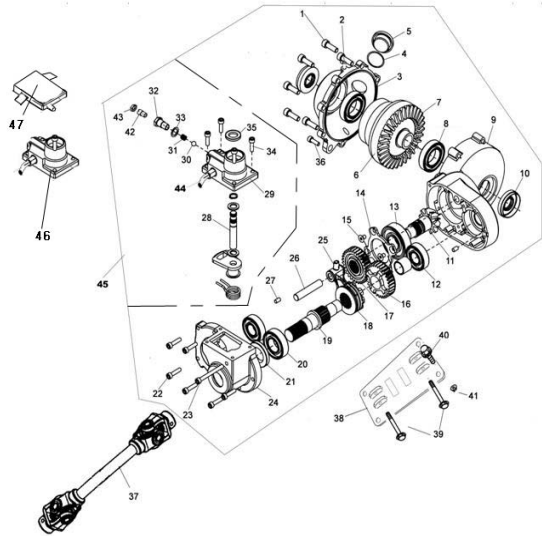
REF. No	PART NO.	DESCRIPTION	QTY	图号
1	24101	STARTING MOTOR ASSY	1	170M.16
2	24102	BRUSH HOLD ASSY	1	170M.16.4
3	24103	CORD,STARTER MOTOR	1	170M.16.2
4	24104	BOLT	2	170M.16-2
5	24105	GASKET	2	170M.16-3
6	24106	O-RING 24.5X3	1	170M.16-1
7	24107	FLANGE BOLT M6X25	2	170M.4-6

## 35 ENGINE



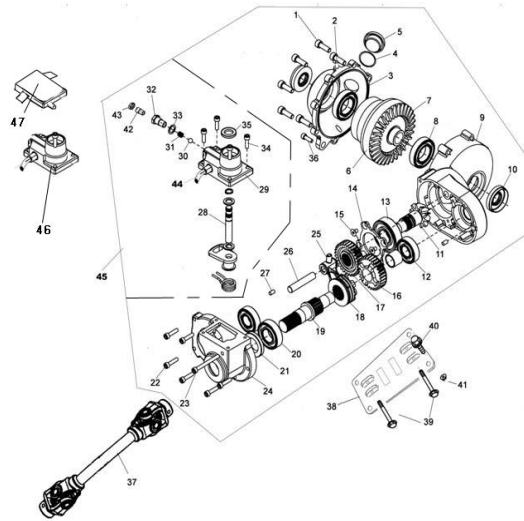
REF. No	PART NO.	DESCRIPTION	Q'TY	图号
1	24201	FRONT ENGINE MOUNT BRACKET	1	LH260ATV.20.1.1
2	24202	ENGINE BRACKET BOLT	2	LH260ATV.20-2
3	24203	BUSHING ENGING BRACKET1	2	LH260ATV.20.1.2
4	10136	NUT M12X1.25	2	GB/T6187-M12X1.25
5	24205	ENGINE MOUNTING BOLT	1	LH260ATV. 20-1
6	24206	BUSHING ENGING BRACKET2	4	LH260ATV. 20. 1. 3
7	24207	SPACER ENGINE BRACKET	1	LH250T.6.1-1
8	10015	NUT M10X1.25	1	GB/T6187-M10X1.25
9	10016	BOLT M10X1.25X55	1	GB/T5785-M10X1.25X55
10	24210	WASHER	1	LH260ATV. 20-4
11	10015	NUT M10X1.25	1	GB/T6187-M10X1.25
12	10137	BOLT M8X120	1	GB/T5782-M8X120
13	24213	LEFT SPACER	2	LH260ATV. 20-3
14	24214	STAY ENGINE LEFT	1	LH260ATV. 20. 2
15	10079	NUT M8	1	GB/T6187-M8
16	10138	BOLT M10X1.25X68	1	GB/T5785-M10X1.25X68
17	24217	WASHER	1	LH260ATV. 20-6
18	24218	STAY ENGINE RIGHT	1	LH260ATV. 20. 3
19	10015	NUT M10X1.25	1	GB/T6187-M10X1.25
20	10139	BOLT M8X65	1	GB/T5782-M8X65
21	24221	RIGHT SPACER	2	LH260ATV.20-5
22	24222	ENGINE ASSY	1	LH260ATV.14
23	24223	BUSHING	2	LH260ATV. 20. 2. 2

### 36 FRONT GEAR-BOX (FOR 4WD)



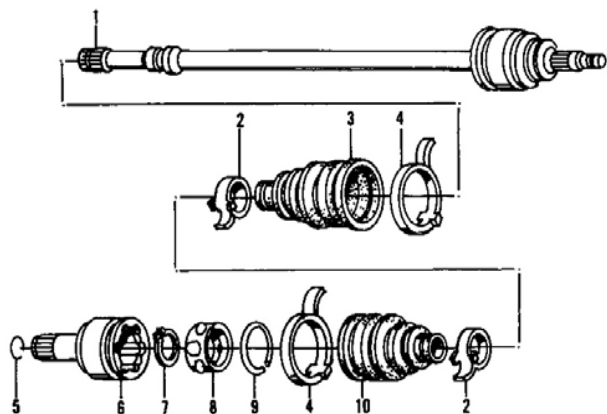
REF. No	PART No.	DESCRIPTION	Q'TY	图号
1	10059	BOLT M8X25	7	GB/T5787
2	24302	VENT FITTING	1	LH260ATV.12.3
3	24303	LEFT COVER	1	LHTY.1-1
4	10122	O-RING 18X2.65	1	GB/T3452.1
5	24305	DIFF FILLERPLUG	1	153FM.16-3
6	24306	FOC BODY	1	LHTY.1.1
7	24307	BEVEL CROWNWHEEL	1	LHTY.1-2
8	10202	BEAR 6006	2	GB/T276
9	24309	DIFFCASE RHS	1	LHTY.1-3
10	24310	SEAL SDD722X48X11	2	LHTY.1.2
11	24311	CONICAL WITH HELICAL GEARING	1	LHTY.1-4
12	10062	BEAR 6204	2	GB/T276
13	10074	BEAR 6305ST	1	GB/T276
14	24314	CASEBEAR RETAINER	1	LHTY.1-5
15	10287	SCREW M6X12	4	GB/T2673
16	24316	DIFF GEAR	1	LHTY.1.3
17	24317	DIFF GEAR DRIVEN	1	LHTY.1-6
18	24318	SPLINED DOG	1	LHTY.1-7
19	24319	DIFF INPUTSHAFT A	1	LHTY.1-8
20	10267	BEAR 6205	1	GB/T276
21	24321	SEAL TC25X47X7	1	LHTY.1.3
22	10182	BOLE M6X30	6	GB/T5787
23	10160	BOLE M6X70	1	GB/T5787
24	24324	REAR COVER	1	LHTY.1-9
25	24325	DIFF SELECTOR FORK	1	LHTY.1-10
26	24326	SELECTOR RAIL	1	LHTY.1-11
27	24327	PIN	1	LHTY.1-12
28	24328	SELECTOR SHAFT	1	LHTY. 1. 5

### 36 FRONT GEAR-BOX (FOR 4WD)



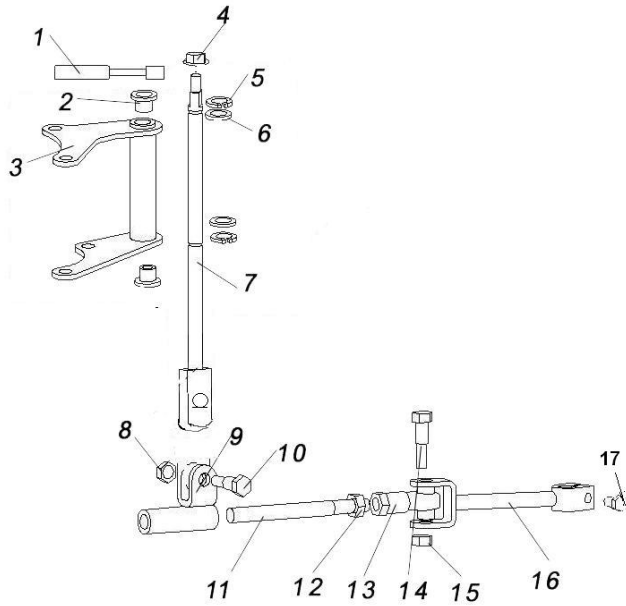
REF. No	PART No.	DESCRIPTION	Q'TY	图号
29	24429	SELECTOR COVER	1	LHTY. 1-13
30	10203	STEEL BALL 8	1	GB/T308
31	24431	SPRING	1	LHTY. 1-14
32	24433	INDENT BALL INSERT	1	LHTY. 1-15
33	24432	WASHER	1	LHTY. 1-16
34	10183	BOLT M6X16	4	GB/T5787
35	24435	SEAL TC12X28X7	1	LHTY. 1. 6
36	10168	BOLT M8X16	1	GB/T5787
37	24437	FRONT PROPSHAFT ASSY	1	LH260ATV.13.3
38	24438	FRONT GEAR-BOX BACKSTOP	1	LH260ATV.1.16
39	10208	BOLT M10X1.25X43	2	GB/T5787
40	10163	BOLT M10X1.25X20	4	GB/T5787
41	10209	NUT M10	6	GB/T6184
42	10355	BOLT M8X1X16	1	GB/T73-85
43	10356	NUT M8X1	1	GB/T6173-86
44	24444	4WD AND 2WD SWITCH	1	
45	24445	FRONT GEAR-BOX 2WD/4WD SHIFT MOTOR(USED WITH 2WD / 4WD	1	LHTY.1
46	24446	SWITCHPN20109b)	1	LHTY.1.8.1
47	24447	2WD/4WD SHIFT ELECTRONIC CONTROLER(USED WITH 2WD / 4WD SWITCHPN20109b)	1	LHTY.1.8.2

### 37 FRONT DRIVE AXLE (FOR 4WD)



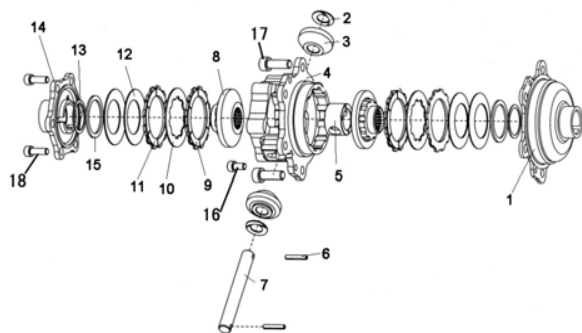
REF. No	PART No.	DESCRIPTION	Q'TY	图号
1	24401	DRIVE AXLE/OUTER CV JOINT ASSEMBLY	2	LH260ATV. 6. 5. 1
2	24402	BOOT BAND "A"	4	LH260ATV. 6. 5-5
3	24403	OUTER BOARD BOOT	2	LH260ATV. 6. 5-4
4	24404	BOOT BAND "B"	2	LH260ATV. 6. 5-1
5	24405	ATOPPER RING	2	LH260ATV. 6. 5-10
6	24406	OUTER CV JOINT	2	LH260ATV. 6. 5. 2
7	24407	CIRCLIP	2	
8	24408	BEARING	1	
9	24409	STOPPER RING	1	
10	24410	INBOARD BOOT	2	LH260ATV.6.5-7

### 38 4WD AND 2WD SHIFT LEVER ASSY (FOR 4WD)



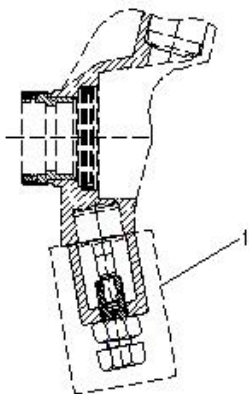
REF. No	PART No.	DESCRIPTION	Q'TY	图号
1	24601	SHIFT LEVER	1	LH260ATV.1.17.1
2	24602	NYLON COLLAR	2	LH260ATV.1.17-2
3	24603	AXLE COLLAR	1	LH260ATV.1.17.2
4	10004	NUT M6	1	GB/T6187
5	10212	CIRCLIP	2	GB/T894
6	24606	WASHER	2	LH260ATV.1.17-1
7	24607	SHIFT ROD 1	1	LH260ATV.1.17.3
8	10004	NUT M6	1	GB/T6187
9	24609	SHIFT ROD 2	1	LH260ATV.1.17.6
10	24610	PIN A6X22	1	LH260ATV.1.17-4
11	24611	SHIFT ROD 3	1	LH260ATV.1.17-3
12	10099	NUT M8	1	GB/T6170
13	24613	BALL JOINT	1	LH260ATV.1.17.5
14	10218	BOLT M8X40	1	GB/T5787
15	10079	NUT M8	1	GB/T6187
16	24616	SHIFT ROD 4	1	LH260ATV.1.17.4
17	10228	BOLT M6X18	1	GB/T5787

### 39 FOC BODY (FOR 4WD)



REF. No	PART No.	DESCRIPTION	Q'TY	图号
1	24701	LARGER COVER	1	LHTY. 1. 1-14
2	24702	WASHER	2	LHTY. 1. 1-2
3	24703	PINION	2	LHTY. 1. 1-3
4	24704	HOUSING	1	LHTY. 1. 1-1
5	24705	CENTER SPACER	1	LHTY. 1. 1-5
6	10003	ROLL PIN	2	GB/T879
7	24707	CENTER PIN	2	LHTY. 1. 1-4
8	24708	BEVEL GEAR	2	LHTY. 1. 1-7
9	24709	CLUTCH PLATE OUTER DOUBLE	2	LHTY. 1. 1-12
10	24710	CLITCH PLATE INNER	2	LHTY. 1. 1-13
11	24711	CLUTCH PLATE OUTER SINGLE	2	LHTY. 1. 1-11
12	24712	DISHED SPRING	4	LHTY. 1. 1-8
13	24713	WASHER	2	LHTY. 1. 1-10
14	24714	SMALL COVER	1	LHTY. 1. 1-15
15	24715	SPING SEAT	2	LHTY. 1. 1-9
16	10083	SCREW M6X15	2	GB/T70
17	10131	SCREW M8X16	6	GB/T70
18	24718	BOLT M8X15	6	LHTY.1.1-6

## 40 SPECIAL TOOL KIT



REF. No	PART No.	DESCRIPTION	Q'TY	图号
1	24801	TOOL FOR BALL JOINT,STRUT REMOVAL	1	LH260ATV. 3. 2. 1GJ. 1