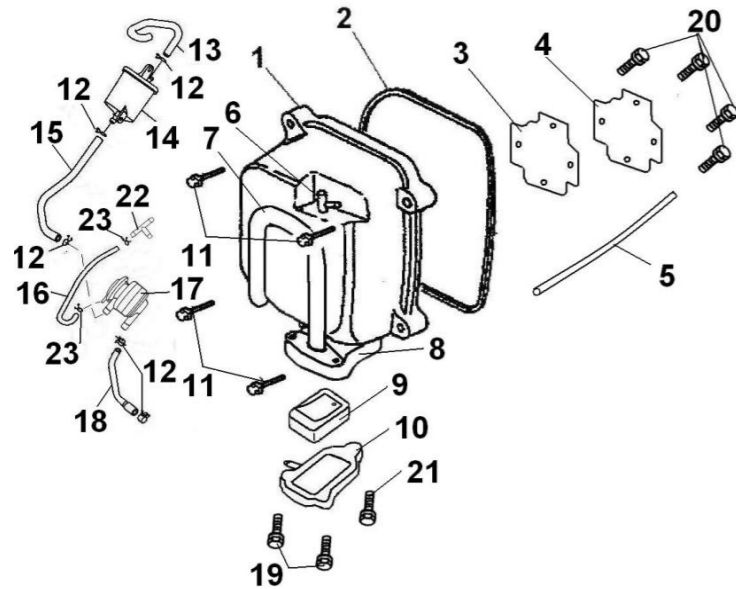


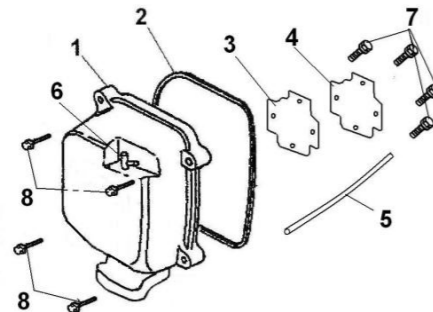
20.COVER COMP CYLINDER HEAD 1 (FOR EUROPE)



REF. No.	PART No.	DESCRIPTION	QTY	图号	PART No.		
1	29561	COVER COMP HEAD	1	LH163QML.1-1	1N001000001	2401	ATV200-B
2	2531546	GASKET HEAD COVER	1	153FM.1-7	1H001000007	2402	ATV200-B
3	29578	AERATION HEAD COVER	1	LH163QML.1-8	1N001000008	2403	ATV200-B
4	29574	AERATION CAP	1	LH163QML.1-6	1N001000006	2404	ATV200-B
5	2531589	TUBE BREATHER	1	153FM.1-4	1H001000004	2405	ATV200-B
6	2531003	TIE-IN	1	153FM.1.1	1H001010000	2406	ATV200-B
7	50358	AERATION TUBE ASSY	1	139FM.1.1	1A001010000	2407	ATV200-B
8	50373	WASHER	1	139FM.1-6	1A001000006	2408	ATV200-B
9	50359	AERATION WASHER 2	1	139FM.1.2	1A001020000	2409	ATV200-B
10	50360	WALVE ASSY	1	139FM.1-2	1A001000002	2410	ATV200-B
11	10187	BOLT M6X25		GB/5787	B01040625	2411	ATV200-B
12	43519	CLIP 16	5	170M.20-2	1L020000002	2412	ATV200-B
13	43518	HOSE BEND A	1	170M.20-1	1L020000001	2413	ATV200-B
14	43523	AIR FILTER CASE ASSY	1	170M.20.1	1L020010000	2414	ATV200-B
15	50383	HOSE BEND B	1	139FM.1-10	1A001000010	2415	ATV200-B
16	50362	HOES A	1	139FM.1-11	1A001000011	2416	ATV200-B
17	2603214	AIR INDUCTION SYSTEM ASSY	1	157FM2A.10a.4	1K110a040000	2417	ATV200-B
18	29521	HOSE BEND E	1	139FM.1-13	1A001000013	2418	ATV200-B
19	29502	BOLT M6X40		GB/5787	B01040640	2419	ATV200-B
20	10165	SCREW M4X6		GB/T818	B02020406	2420	ATV200-B
21	10187	BOLT M6X25		GB/5787	B01040625	2421	ATV200-B
22	2603215	TRI-CONNECTER	1	157FM2A.10a-8	1K110a000008	2422	ATV200-B
23	2603211	CLIP 7	4	157FM2A.10a-6	1K110a000006	2423	ATV200-B

23

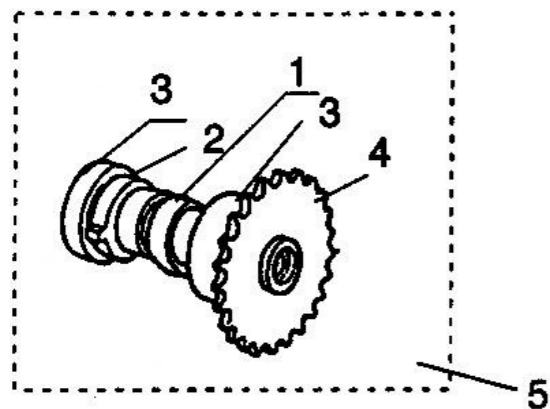
20.COVER COMP CYLINDER HEAD 1 (FOR USA)



1	29561	COVER COMP HEAD	1	LH163QML.1-1	1N001000001	2501	ATV200-B
2	2531546	GASKET HEAD COVER	1	153FM.1-7	1H001000007	2502	ATV200-B
3	29578	AERATION HEAD COVER	1	LH163QML.1-8	1N001000008	2503	ATV200-B
4	29574	AERATION CAP	1	LH163QML.1-6	1N001000006	2504	ATV200-B
5	2531589	TUBE BREATHER	1	153FM.1-4	1H001000004	2505	ATV200-B
6	2531003	TIE-IN	1	153FM.1.1	1H001010000	2506	ATV200-B
7	10165	SCREW M4X6		GB/T818	B02020406	2507	ATV200-B
8	10187	BOLT M6X25		GB/5787	B01040625	2508	ATV200-B

21.CAMSHAFT COMP

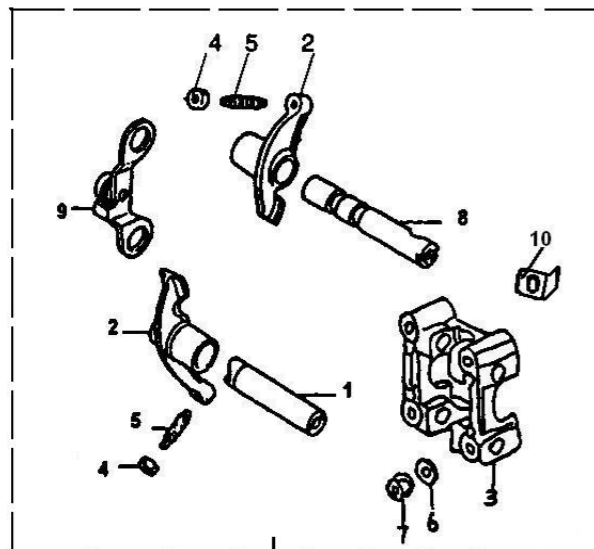
凸轮轴组件



REF. No.	PART No.	DESCRIPTION	Q'TY	PART No.	图号		
1	2531005	CAMSHAFT	1	153FM.2-1	1H002000001	2601	ATV200-B
2	2531006	AUTO PRESSURE PURGER OUTER RING	1	153FM.2-2	1H002000002	2602	ATV200-B
3	29510	BEARING 16002		GB/T276	B13116002	2603	ATV200-B
4	2531004	TIMING CHAIN COMP	1	153FM.2.1	1H002010000	2604	ATV200-B
5	2531079	CAMSHAFT COMP1	1	153FM.2	1H002000000	2605	ATV200-B

22.HOLDER CAMSHAFT COMP

凸轮轴固定座组合



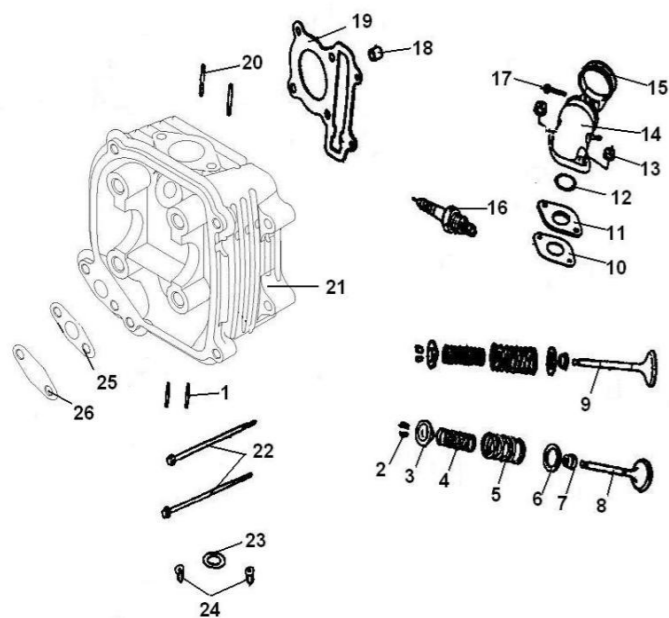
11

25

REF. No.	PART No.	DESCRIPTION	QTY	PART No.	图号		
1	29580	SHAFT EX ROCKER ARM (200CC)	1	LH163QML.3-1	1N003000001	2701	ATV200-B
1	2531010	SHAFT EX ROCKER ARM (150CC)		153FM.3-1	1H003000001	2702	ATV200-B
2	2531011B	ARM VALVE ROCKER	2	157FM2.3-2	1K003000002	2703	ATV200-B
3	29581	HOLDER CAMSHAFT (200CC)		LH163QML.3-3	1N003000003	2704	ATV200-B
3	2531012B	HOLDER CAMSHAFT (150CC)	1	157FM2.3-3	1K003000003	2705	ATV200-B
4	1309154	NUT TAPPET ADJUSTING	2	153FM.3-4	1H003000004	2706	ATV200-B
5	1309155	SCREW TAPPET ADJUSTING	2	153FM.3-5	1H003000005	2707	ATV200-B
6	1309156	WASHER M8	4	153FM.3-6	1H003000006	2708	ATV200-B
7	1309157	NUT FLANG M8	4	153FM.3-7	1H003000007	2709	ATV200-B
8	2531008	SHAFT COMP IN ROCKER ARM	1	153FM.3.1	1H003010000	2710	ATV200-B
9	2531009	PLATE COMP STOPPER	1	153FM.3.2	1H003020000	2711	ATV200-B
10	29582	PLATE (200cc)	1	LH163QML.3-8	1N003000008	2712	ATV200-B
11	29579	HOLDER CAMSHAFT ASSY (200cc)	1	LH163QML.3	1N003000000	2713	ATV200-B
11	29527	HOLDER CAMSHAFT ASSY (150cc)	1	157FM2.3	1K003000000	2714	ATV200-B

23.CYLINDER HEAD COMP

缸盖组合



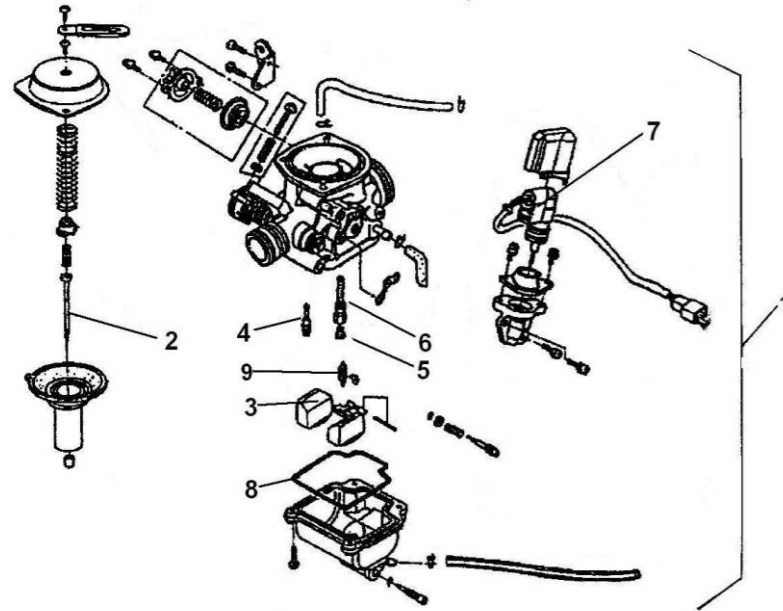
26

REF. No.	PART No.	DESCRIPTION	Q'TY	PART No.	图号		
1	1909158	BOLT 2 STUD M6X35	2	153FM.4-1	1H004000001	2801	ATV200-B
2	2531077	COTTER VALVE	4	153FM.4-3	1H004000003	2802	ATV200-B
3	2531014	RETAINER VALVE SPRING	2	153FM.4-2	1H004000002	2803	ATV200-B
4	2531539	SPRING VALVE INNER	2	153FM.4-6	1H004000006	2804	ATV200-B
5	2531538	SPRING VALVE OUTER	2	153FM.4-5	1H004000005	2805	ATV200-B
6	4080077	SEAT VALVE SPRING OUTER	2	153FM.4-7	1H004000007	2806	ATV200-B
7	2531547	SEAL VALVE STEM	2	153FM.4.2	1H004020000	2807	ATV200-B
8	2531576B	VALVE EX	1	157FM2.4-4	1K004000004	2808	ATV200-B
9	2531577B	VALVE IN	1	157FM2.4-8	1K004000008	2809	ATV200-B
10	2531527	GASKET CARBURETOR INSULATOR	1	153FM.4-9	1H004000009	2810	ATV200-B
11	2531015	INSULATOR CARBURETOR	1	153FM.4-10	1H004000010	2811	ATV200-B
12	10321	O-RING 26.5X1.8		GB/T3452.1-82	B121265180	2812	ATV200-B
13	10103	NUT FLANGE M6		GB/T6177	B015206	2813	ATV200-B
14	2531548	PIPE COMP IN	1	153FM.4.4.1	1H004040100	2814	ATV200-B
15	2531549	BAND INSULATER	1	153FM.4.4.2	1H004040200	2815	ATV200-B
16	29535	PLUG SPARK	1	C7HSA	B21101	2816	ATV200-B
17	29516	SCREW 4X25		GB/T818-85	B02020425	2817	ATV200-B
18	2531017	PIN DOWEL 10X16	4	153FM.4-12	1H004000012	2818	ATV200-B
19	29585	GASKET CYLINDER HEAD (200CC)	1	LH163QML.4-11	1N004000011	2819	ATV200-B
19	2531016B	GASKET CYLINDER HEAD (150CC)	1	157FM2.4-11	1K004000011	2820	ATV200-B
20	10166	BOLT 2 STUD M6X50		GB/T900-88	B01410650	2821	ATV200-B
21	29583	HEAD COMP CYLINDER (200cc)	1	LH163QML.4.1	1N004010000	2822	ATV200-B
21	1309163	HEAD COMP CYLINDER (150cc)	1	157FM2.4.1a	1K00401a0000	2823	ATV200-B
22	23509	BOLT FLANGE M6X100	2	153FM.16-9	1H016000009	2824	ATV200-B
23	1309164	GASKET EX PIPE	1	153FM.4.3	1H004030000	2825	ATV200-B
24	4080100	NUT CAP M6	2	153FM.4-13	1H004000013	2826	ATV200-B
25	29522	WASHER (FOR USA)	1	139FM.1-5	1A001000005	2827	ATV200-B
26	29584	AERATION CAP (FOR USA)	1	LH163QML.4-1	1N004000001	2828	ATV200-B

27

24.CARBURETOR

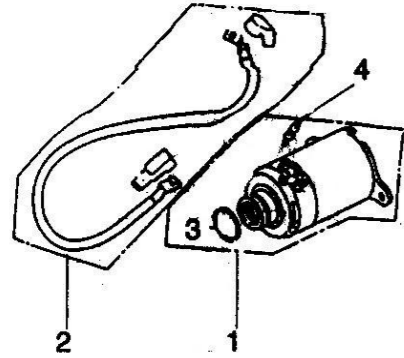
化油器



REF. No.	PART No.	DESCRIPTION	QTY	PART No.	图号		
1	29586	CARBURETOR ASSY (200cc)	1	LH163QML.5	1N005000000	2901	ATV200-B
	29587	CARBURETOR ASSY (150cc)	1	LH163QML.5a	1N005a000000	2902	ATV200-B
2	29528	NEEDLE (200cc)	1	157FM2.5-1A	1K005000001	2903	ATV200-B
	28059	NEEDLE (150cc)	1	157FM2.5-1	1K005000001a	2904	ATV200-B
3	28056	SET FLOAT	1	157FM2.5.1	1K005010000	2905	ATV200-B
4	25060	JET SLOW	1	157FM2.5-2	1K005000002	2906	ATV200-B
5	28061	JET MAIN	1	157FM2.5-3	1K005000003	2907	ATV200-B
6	28062	HOLDER NEEDLE JET	1	157FM2.5-4	1K005000004	2908	ATV200-B
7	28057	VALVE SET STARTER	1	157FM2.5.2	1K005020000	2909	ATV200-B
8	28063	GASKET	1	157FM2.5-5	1K005000005	2910	ATV200-B
9	28058	VALVE SET FLOAT	1	157FM2.5.3	1K005030000	2911	ATV200-B

25.STARTING MOTOR

起动机

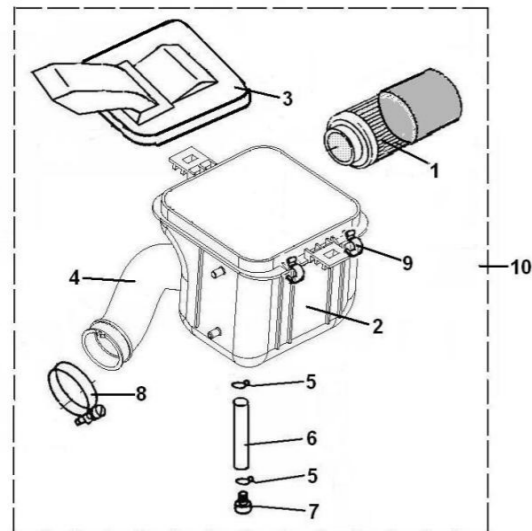


28

REF. No.	PART No.	DESCRIPTION	QTY	PART No.	图号		
1	2531507	MOTOR ASSY STARTER	1	153FM.6.1	1H006010000	3001	ATV200-B
2	1309196A	CABLE STARTER	1	153FM.6.2	1H006020000	3002	ATV200-B
3	1309197	O-RING 24.4X3.1	1	153FM.6-1	1H006000001	3003	ATV200-B
4	29501	BOLT M5X8		GB/5787	B01040508	3004	ATV200-B

26.AIR CLEANER

空滤器组件

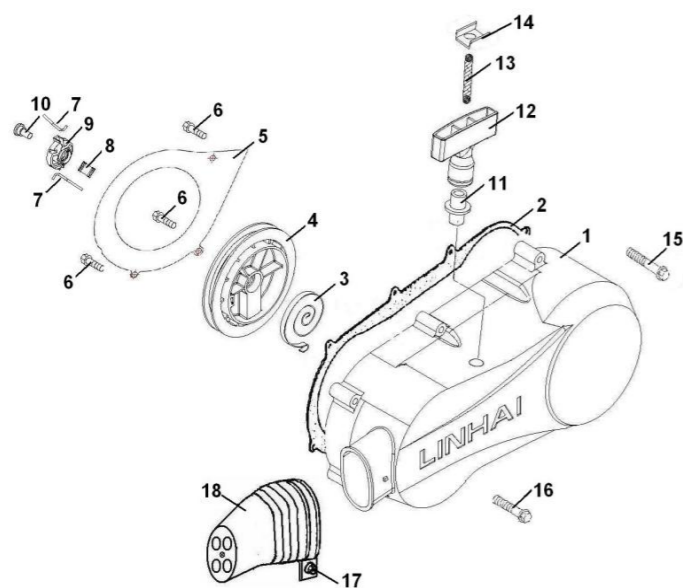


29

REF. No.	PART No.	DESCRIPTION	QTY	PART No.	图号		
1	29604	ELEMENT COMP AIR CLEANER	1	LH200ATV.15.1	8J015010000	3101	ATV200-B
2	29605	AIR CLEANER CASE	1	LH200ATV.15.2	8J015020000	3102	ATV200-B
3	29606	COVER AIR CLEANER	1	LH200ATV.15.3	8J015030000	3103	ATV200-B
4	29607	AIR CLEANER IOINT	1	LH200ATV.15-1	8J015000001	3104	ATV200-B
5	1309208	CLAMP TUBE	2	153FM.7.1-2	1H007010002	3105	ATV200-B
6	1309206	HOSE	1	153FM.7.1-7	1H007010007	3106	ATV200-B
7	1309211	PLUG BREATHER TUBE	1	153FM.7.1-6	1H007010006	3107	ATV200-B
8	1309215	BAND AIR CLEANER CONNECTING	1	153FM.7.2	1H007020000	3108	ATV200-B
9	23208	AIR CLEANER COVER CLIP	4	LH260ATV.16.4	8E016040000	3109	ATV200-B
10	29603	AIR CLEANER	1	LH200ATV.15	8J015000000	3110	ATV200-B

27.LEFT CRANKCASE COVER

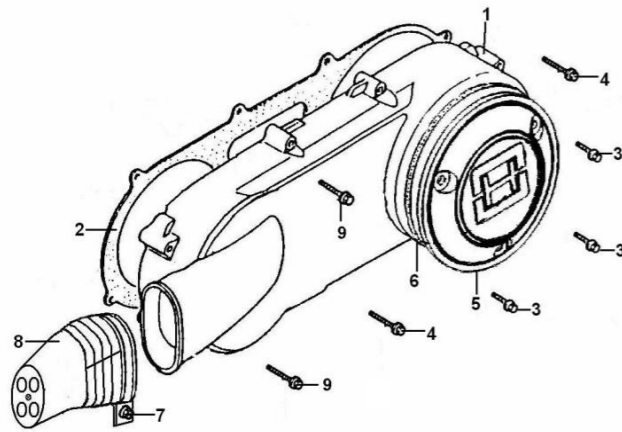
左盖组件 (200cc)



REF. No.	PART No.	DESCRIPTION	QTY	PART No.	图号		
1	29590	COVER LEFT	1	LH163QML.8-1	1N008000001	3201	ATV200-B
2	29558	GASKET LEFT COVER	1	LH157QMJ-B.8-2	1K208000002	3202	ATV200-B
3	29531	STARTER SPRING	1	1P65F.1-2	6K001000002	3203	ATV200-B
4	29594	DRUM SHEAVE	1	LH163QML.8-5	1N008000005	3204	ATV200-B
5	29595	PLATE	1	LH163QML.8-6	1N008000006	3205	ATV200-B
6	10113	SCREW M5X8		GB/T818	B02020508	3206	ATV200-B
7	29533	DRIVE PAWL	2	1P65F.1-8	6K001000008	3207	ATV200-B
8	29532	SPRING	1	1P65F.1-5	6K001000005	3208	ATV200-B
9	29534	RATCHET GUIDE	1	1P68F.1-6	6L001000006	3209	ATV200-B
10	29596	SCREW	1	LH163QML.8-7	1N008000007	3210	ATV200-B
11	29591	BUSH	1	LH163QML.8-2	1N008000002	3211	ATV200-B
12	29588	STARTER GRIP	1	LH163QML.8.1	1N008010000	3212	ATV200-B
13	29592	STARTER ROPE	1	LH163QML.8-3	1N008000003	3213	ATV200-B
14	29654	ROPE CLIP	1	SPG650.8-8	3A008000008	3214	ATV200-B
15	29503	BOLT FLANGE 6X45		GB/5787	B01040645	3215	ATV200-B
16	29502	BOLT FLANGE 6X40		GB/5787	B01040640	3216	ATV200-B
17	29589	CLIP	1	LH163QML.8.2	1N008020000	3217	ATV200-B
18	29597	CLEANER	1	LH163QML.8-8	1N008000008	3218	ATV200-B

27.LEFT CRANKCASE COVER

左盖组件 (150cc)

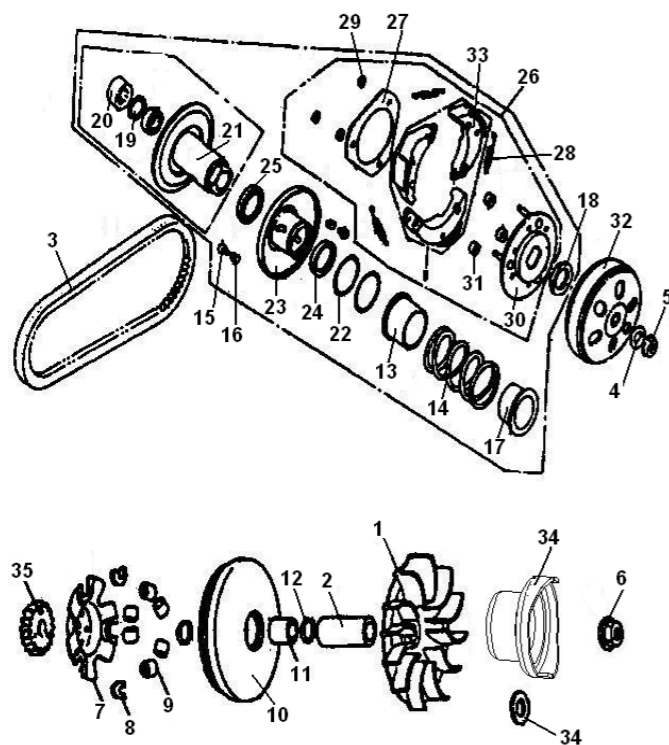


31

REF. No.	PART No.	DESCRIPTION	Q'TY	PART No.	图号		
1	29557	COVER LEFT	1	LH157QMJ-B.8-1	1K208000001	3301	ATV200-B
2	29558	GASKET LEFT COVER	1	LH157QMJ-B.8-2	1K208000002	3302	ATV200-B
3	10010	BOLT M6X15		GB/5787	B01040615	3303	ATV200-B
4	29502	BOLT FLANGE 6X40		GB/5787	B01040640	3304	ATV200-B
5	2531620	SMALL COVER	1	153FM.8.2-2a	1H008020002a	3305	ATV200-B
6	2531621	WASHER	1	153FM.8.2-3	1H008020003	3306	ATV200-B
7	29589	CLIP	1	LH163QML.8.2	1N008020000	3307	ATV200-B
8	29597	CLEANER	1	LH163QML.8-8	1N008000008	3308	ATV200-B
9	29503	BOLT FLANGE 6X45		GB/5787	B01040645	3309	ATV200-B

28.DRIVE PULLEY

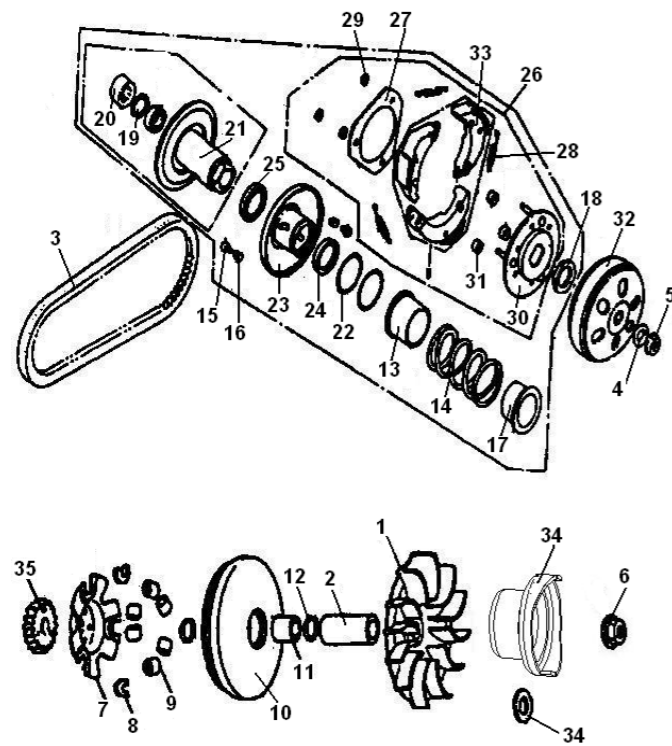
传动离合器组件



REF. No.	PART No.	DESCRIPTION	Q'TY	PART No.	图号		
1	28050	FACE DRIVE(150CC)	1	153FM.9-1	1H009000001	3401	ATV200-B
1	29526	FACE DRIVE(200CC)	1	153FM.9.5	1H009050000	3402	ATV200-B
2	28051	BOSS DRIVE FACE	1	153FM.9-2	1H009000002	3403	ATV200-B
3	29529	BELT DRIVE	1	157QMJ-B.9-3	1K209000003	3404	ATV200-B
4	28053	WASHER PLAIN 12MM	1	153FM.9-4	1H009000004	3405	ATV200-B
5	28054	NUT FLANGE 12X1.25MM	1	153FM.9-5	1H009000005	3406	ATV200-B
6	10188	NUT FLANGE 12X1.25MM		GB/T6177-86	B015212A	3407	ATV200-B
7	28029	PLATE RAMP	1	153FM.9.1-1	1H009010001	3408	ATV200-B
8	28030	PIECE SLIDE	3	153FM.9.1-2	1H009010002	3409	ATV200-B
9	28025	ROLLER SET WEIGHT	6	153FM.9.1.1	1H009010100	3410	ATV200-B
10	28026	FACE COMP MOVABLE DRIVE	1	153FM.9.1.2-1	1H009010201	3411	ATV200-B
11	28027	COLLAR DRIVE FACE	1	153FM.9.1.2-2	1H009010202	3412	ATV200-B
12	28028	CLIP 28MM	2	153FM.9.1.2-3	1H009010203	3413	ATV200-B
13	28037	COLLAR SEAL	1	153FM.9.2-1	1H009020001	3414	ATV200-B
14	28038	SPRING DRIVEN FACE	1	153FM.9.2-2	1H009020002	3415	ATV200-B
15	28039	PIN ROLLER GUIDE	3	153FM.9.2-3	1H009020003	3416	ATV200-B
16	28040	ROLLE GUIDE	3	153FM.9.2-4	1H009020004	3417	ATV200-B
17	28041	COLLAR SPRING	1	153FM.9.2-5	1H009020005	3418	ATV200-B
18	28042	NUT SPECIAL 28MM	1	153FM.9.2-6	1H009020006	3419	ATV200-B

28.DRIVE PULLEY

传动离合器组件

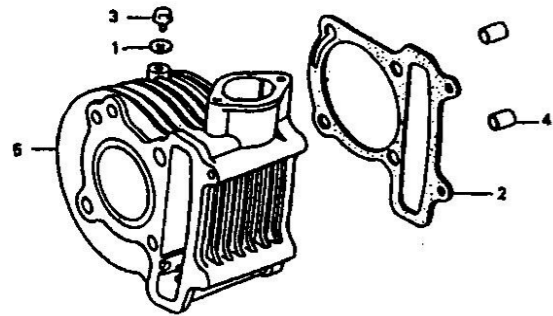


33

REF. No.	PART No.	DESCRIPTION	Q'TY	PART No.	图号		
19	29518	CIR CLIP IN 28MM		GB/T893.1-86	B036128	3501	ATV200-B
20	28031	BEARIING NEEDLE 20X29X18	1	153FM.9.2.1	1H009020100	3502	ATV200-B
21	28032	FACE COMP DRIVEN	1	153FM.9.2.2-1	1H009020201	3503	ATV200-B
22	28034	O-RING PINION CAP	2	153FM.9.2.3-1	1H009020301	3504	ATV200-B
23	28035	FACE COMP MOVABLE DRIVEN	1	153FM.9.2.3-2	1H009020302	3505	ATV200-B
24	28033	SEAL DRIVEN FACE	2	153FM.9.2.3.1	1H00902030100	3506	ATV200-B
25	28036	BEARING BALL RADIAL	1	153FM.9.2.4	1H009020400	3507	ATV200-B
26	28043	PLATE ASSY DRIVEN	1	153FM.9.3	1H009030000	3508	ATV200-B
27	28047	PLATE CLUTCH SIDE	1	153FM.9.3-1	1H009030001	3509	ATV200-B
28	28048	SPRING CLUTCH	3	153FM.9.3-2	1H009030002	3510	ATV200-B
29	10130	CIR CLIP 6MM		GB/T896-76	B036306	3511	ATV200-B
30	28044	PLATE CLUTCH DRIVE	1	153FM.9.3.1	1H009030100	3512	ATV200-B
31	28045	SPRING CLUTCH DAMPER	3	153FM.9.3.2	1H009030200	3513	ATV200-B
32	28049	OUTER CLUTCH	1	153FM.9.4	1H009040000	3514	ATV200-B
33	28046	WEIGHT SET CLUTCH	3	153FM.9.3.3	1H009030300	3515	ATV200-B
34	29593	STARTER PULLEY (200cc)	1	LH163QML.8-4	1N008000004	3516	ATV200-B
34	28053	WASHER PLAIN 12MM (150cc)	1	153FM.9-4	1H009000004	3517	ATV200-B
35	2531054	GEAR KICK DRIVEN	1	153FM.20-1	1H020000001	3518	ATV200-B

29.CYLINDER COMP

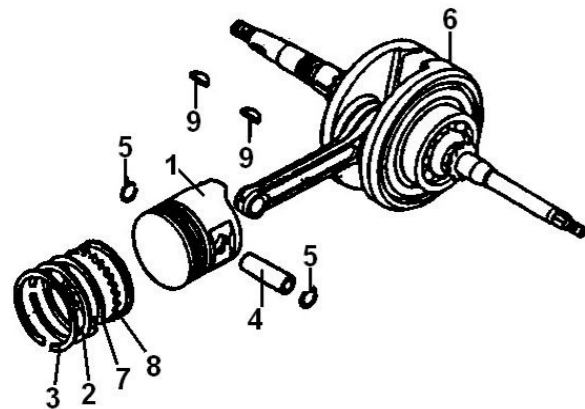
缸体组件



REF. No.	PART No.	DESCRIPTION	QTY	PART No.	图号		
1	1309254	WASHER SEALING 6.5MM	1	153FM.11-1	1H011000001	3601	ATV200-B
2	29563	GASKET CYLINDER (200cc)	1	LH163QML.11-2	1N011000002	3602	ATV200-B
2	2531531B	GASKET CYLINDER (150cc)	1	157FM2.11-2	1K011000002	3603	ATV200-B
3	10140	BOLT FLANGE M6X12		GB/T5787	B01040612	3604	ATV200-B
4	2531017	PIN DOWEL 10X16	2	153FM.4-12	1H004000012	3605	ATV200-B
5	29562	CYLINDER COMP (200cc)	1	LH163QML.11.1	1N011010000	3606	ATV200-B
5	2531064B	CYLINDER COMP (150cc)	1	157FM2.11.1	1K011010000	3607	ATV200-B

30.CRANKSHAFT COMP

运动件组件

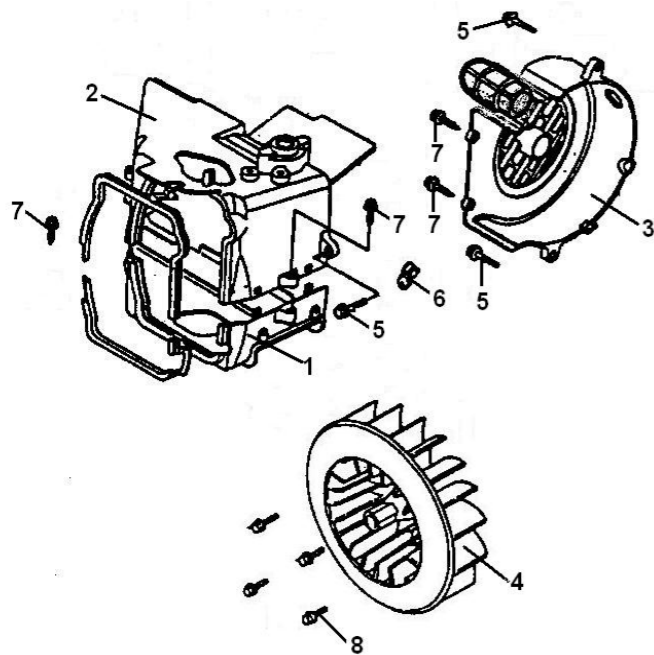


35

REF. No.	PART No.	DESCRIPTION	QTY	PART No.	图号		
1	29659	PISTON (200cc)	1	LH163QML.12-1	1N012000001	3701	ATV200-B
1	2531573B	PISTON (150cc)	1	157FM2.12-1	1K012000001	3702	ATV200-B
2	29564	THE SECOND GAS RING (200cc)	1	LH163QML.12-2	1N012000002	3703	ATV200-B
2	1309256	THE SECOND GAS RING (150cc)	1	157FM2.12-2	1K012000002	3704	ATV200-B
3	29564	THE FIRST GAS RING (200cc)	1	LH163QML.12-3	1N012000003	3705	ATV200-B
3	1309256	THE FIRST GAS RING (150cc)	1	157FM2.12-3	1K012000003	3706	ATV200-B
4	29565	PIN PISTON (200cc)	1	LH163QML.12-4	1N012000004	3707	ATV200-B
4	2531575	PIN PISTON (150cc)	1	157FM2.12-4	1K012000004	3708	ATV200-B
5	2531540	CLIP PISTON PIN 15MM	2	153FM.12-5	1H012000005	3709	ATV200-B
6	2531029	CRANK SHAFT COMP (150cc)	1	153FM.12.1	1H012010000	3710	ATV200-B
6	29524	CRANK SHAFT COMP (200cc)	1	153FM.12.1a	1H01201a0000	3711	ATV200-B
7	29564	OIL RING (200cc)	2	LH163QML.12.2-1	1N012020001	3712	ATV200-B
7	1309256	OIL RING (150cc)	2	157FM2.12.2-1	1K012020001	3713	ATV200-B
8	29564	WAVE RING (200cc)	1	LH163QML.12.2-2	1N012020002	3714	ATV200-B
8	1309256	WAVE RING (150cc)	1	157FM2.12.2-2	1K012020002	3715	ATV200-B
9	1309263	KEY WOODRUFF	2	153FM.12-6	1H012000006	3716	ATV200-B

31.FAN COVER * SHROUD

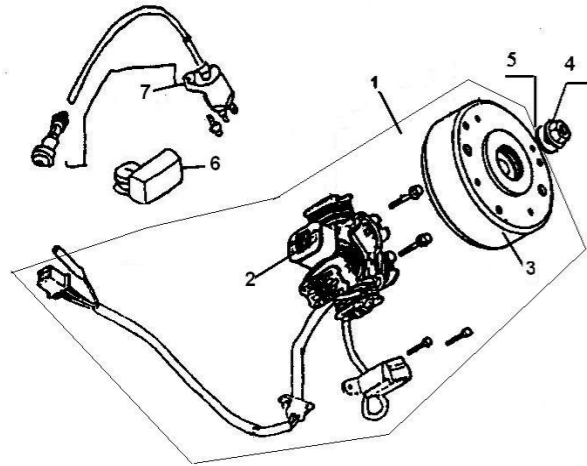
风扇风罩组件



36

REF. No.	PART No.	DESCRIPTION	QTY	PART No.	图号		
1	29566	DOWM SHROUD COMP	1	LH163QML.13.1	1N013010000	3801	ATV200-B
2	29567	UP SHROUD COMP	1	LH163QML.13.2	1N013020000	3802	ATV200-B
3	29568	COVER COMP FAN	1	LH163QML.13.3	1N013030000	3803	ATV200-B
4	28010	PAN COMP COOLING	1	153FM.13.4	1H013040000	3804	ATV200-B
5	10187	BOLT FLANGE M6X25		GB/5787	B01040625	3805	ATV200-B
6	28007	CLAMPER CARB DRAIN TUBE	1	153FM.13.2-3	1H013020003	3806	ATV200-B
7	10009	SCREW TAPPING ST4.8X16		GB/T845	B02914816	3807	ATV200-B
8	10191	BOLT FLANGE M6X18		GB/5787	B01040618	3808	ATV200-B

32.GENERATOR COMP

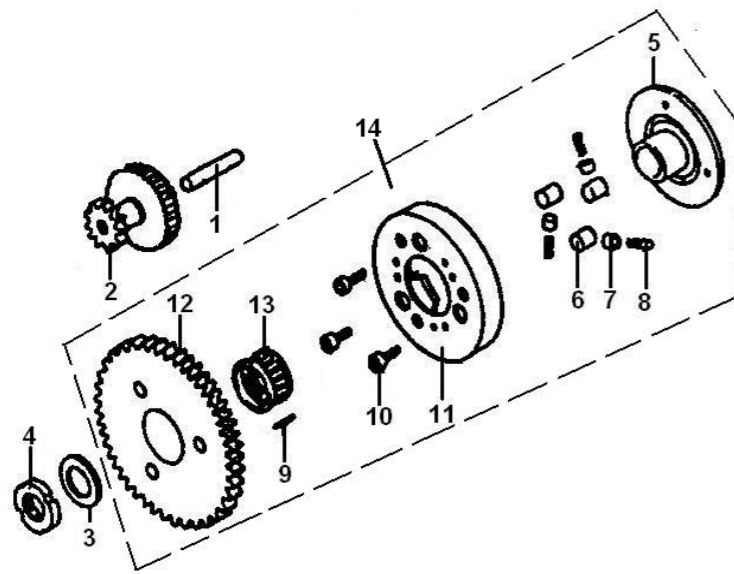


磁电机组件

REF. No.	PART No.	DESCRIPTION	QTY	PART No.	图号	
1	29569	GENERATOR ASSY FLYWHEEL TYPE A	1	LH163QML.14.1	1N014010000	3901 ATV200-B
2	29570	STATOR	1	LH163QML.14.1.1	1N014010100	3902 ATV200-B
3	29571	ROTOR	1	LH163QML.14.1.2	1N014010200	3903 ATV200-B
4	29525	NUT FLANGE 12X1.25	1	153FM.12-7	1H013000007	3904 ATV200-B
5	10032	WASHER PLAIN 12MM		GB/T97.1-12	B025312	3905 ATV200-B
6	29573	C.D.I UNIT	1	LH163QML.14.3	1N014030000	3906 ATV200-B
7	29572	COIL ASSY IGNITION	1	LH163QML.14.2	1N014020000	3907 ATV200-B

33.MOTOR STARTER COMP

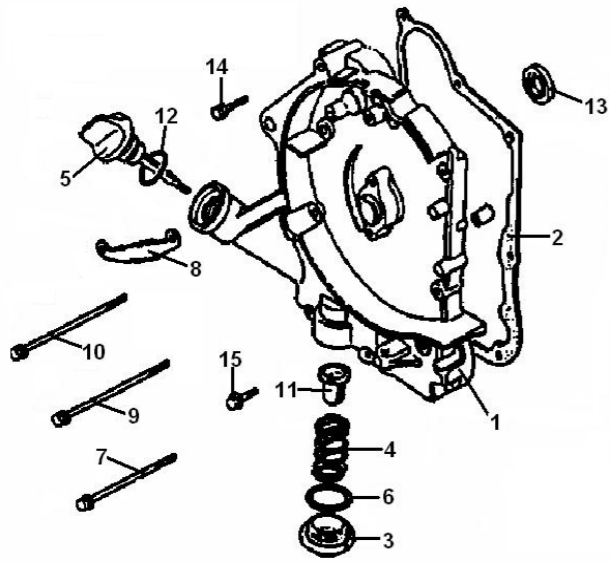
起动超越离合器



38

REF. No.	PART No.	DESCRIPTION	Q'TY	PART No.	图号		
1	2531036	SHAFT STARTER REDUCTION GEAR	1	153FM.15-1	1H015000001	4001	ATV200-B
2	2531037	GEAR STARTER REDUCTION	1	153FM.15-2	1H015000002	4002	ATV200-B
3	1309269	WASHER THRUST	1	153FM.15-3	1H015000003	4003	ATV200-B
4	1309270	NUT LOCK	1	153FM.15-4	1H015000004	4004	ATV200-B
5	1309271	FLANGE STARTING CLUTCH	1	153FM.15.1-1	1H015010001	4005	ATV200-B
6	1309272	ROLLER 10X10	3	153FM.15.1-2	1H015010002	4006	ATV200-B
7	1309273	CAP STATING CLUTCH ROLLER SPRING	3	153FM.15.1-3	1H015010003	4007	ATV200-B
8	1309274	SPRING STARTING CLUTCH ROLLER	3	153FM.15.1-4	1H015010004	4008	ATV200-B
9	1309275	PIN DOWEL 5X6	1	153FM.15.1-5	1H015010005	4009	ATV200-B
10	29514	BOLT SOCKET 6X10		GB/T70-85	B02010610	4010	ATV200-B
11	1309277	OUTER COMP STARTING CLUTCH	1	153FM.15.1.1	1H015010100	4011	ATV200-B
12	1309278	GEAR COMP STARTING CLUTCH	1	153FM.15.1.2-1	1H015010201	4012	ATV200-B
13	1309279	BEARING NEEDLE 28X32X17	1	153FM.15.1.3	1H015010300	4013	ATV200-B
14	2531614	STARTER CLUTCH	1	153FM.15.1	1H015010000	4014	ATV200-B

34.RIGHT CRANKCASE COVER COMP 右盖组件

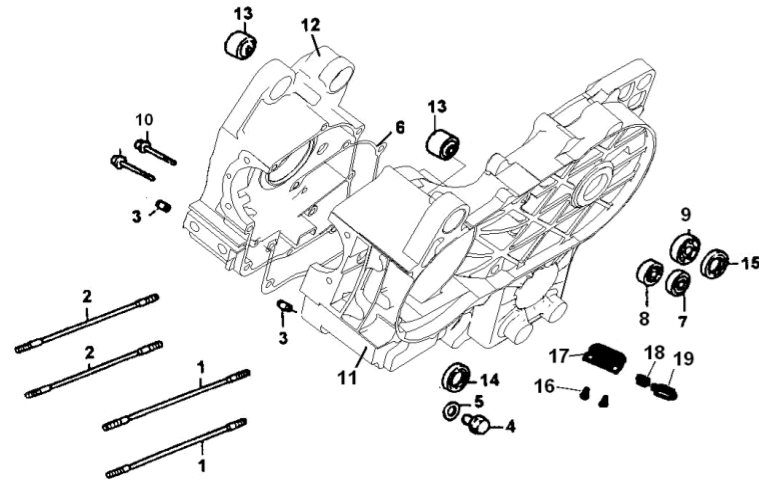


39

REF. No.	PART No.	DESCRIPTION	Q'TY	PART No.	图号		
1	2531038	RIGHT CRANK CASE COVER	1	153FM.16-1	1H016000001	4101	ATV200-B
2	2531532	GASKET R CRANKCASE COVER	1	153FM.16-2	1H016000002	4102	ATV200-B
3	2531039	CAP TAPPET ADJUSTING HOLE	1	153FM.16-3	1H016000003	4103	ATV200-B
4	2531541	SPRING OIL FILTER SCREEN	1	153FM.16-4	1H016000004	4104	ATV200-B
5	2531040	GAUGE OIL LEVEL	1	153FM.16-5	1H016000005	4105	ATV200-B
6	1309280	O-RING	1	153FM.16-6	1H016000006	4106	ATV200-B
7	1309281	BOLT FLANGE 6X110	1	153FM.16-7	1H016000007	4107	ATV200-B
8	2531041	CLAMPER A.C. GENERATOR CORD	1	153FM.16-8	1H016000008	4108	ATV200-B
9	23509	BOLT FLANGE 6X100	3	153FM.16-9	1H016000009	4109	ATV200-B
10	4080089	BOLT FLANGE 6X95	3	153FM.16-10	1H016000010	4110	ATV200-B
11	2531553	SCREEN OIL FILTER	1	153FM.16.1	1H016010000	4111	ATV200-B
12	29511	O-RING 18X3		GB/T3452.1-82	B121180300	4112	ATV200-B
13	2531605	OIL SEAL 19.8X30X5	1	153FM.17.4	1H017040000	4113	ATV200-B
14	10186	BOLT FLANGE 6X35		GB/T5787	B01040635	4114	ATV200-B
15	10329	BOLT FLANGE 6X32		GB/T5787	B01040632	4115	ATV200-B

35.CRANKCASE COMP

箱体组合



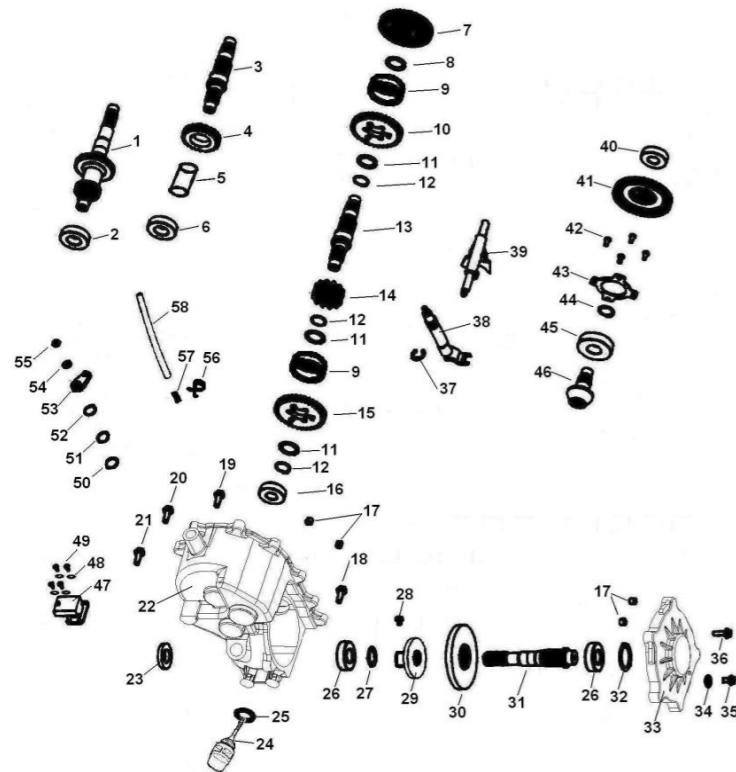
40

REF. No.	PART No.	DESCRIPTION	Q'TY	PART No.	图号		
1	4080084	BOLT STUD 8X195	2	153FM.17-1	1H017000001	4201	ATV200-B
2	4080085	BOLT STUD 8X187	2	153FM.17-2	1H017000002	4202	ATV200-B
3	2531044	PIN DOWEL 8X14	8	153FM.17-3	1H017000003	4203	ATV200-B
4	1309282	BOLT DRAIN PLUG 12MM	1	153FM.17-4	1H017000004	4204	ATV200-B
5	1309283	WASHER DRAIN PLUG 12MM	1	153FM.17-5	1H017000005	4205	ATV200-B
6	29577	GASKET CRANKCASE (200cc)	1	LH163QML.17-6	1N017000006	4206	ATV200-B
6	29541	GASKET CRANKCASE (150cc)		LH157QMJ-B.17-6	1K217000006	4207	ATV200-B
7	10199	BEARING RADIAL BALL		GB/T276	B1316203	4208	ATV200-B
8	10199	BEARING RADIAL BALL		GB/T276	B1316203	4209	ATV200-B
9	10062	BEARING RADIAL BALL		GB/T276	B1316204	4210	ATV200-B
10	29504	BOLT FLANGE 6X50		GB/5787	B01040650	4211	ATV200-B
11	29575	CRANKCASE ASSY LEFT (200cc)	1	LH163QML.17.1	1N017010000	4212	ATV200-B
11	29537	CRANKCASE ASSY LEFT (150cc)		LH157QMJ-B.17.1	1K217010000	4213	ATV200-B
12	29576	CRANKCASE ASSY RIGHT (200cc)	1	LH163QML.17.2	1N017020000	4214	ATV200-B
12	1309285	CRANKCASE ASSY RIGHT (150cc)		153FM.17.2	1H017020000	4215	ATV200-B
13	2531554	BUSH ENGINE HANGER RUBBER	2	153FM.17.3	1H017030000	4216	ATV200-B
14	2531605	OIL SEAL 19.8X30X5	1	153FM.17.4	1H017040000	4217	ATV200-B
15	2531562	OIL SEAL 27X42X7	1	153FM.17.6	1H017060000	4218	ATV200-B
16	10305	SCREW M5X10		GB/T818	B02020510	4219	ATV200-B
17	29538	INTERLOCK BRACKET	1	LH157QMJ-B.17-1	1K217000001	4220	ATV200-B
18	29539	SPRING	1	LH157QMJ-B.17-2	1K217000002	4221	ATV200-B
19	21211	INTERLOCK PIN	1	LH260ATV.17-2	8E017000002	4222	ATV200-B

41

36.TRANSMISSION COMP

齿轮箱组件

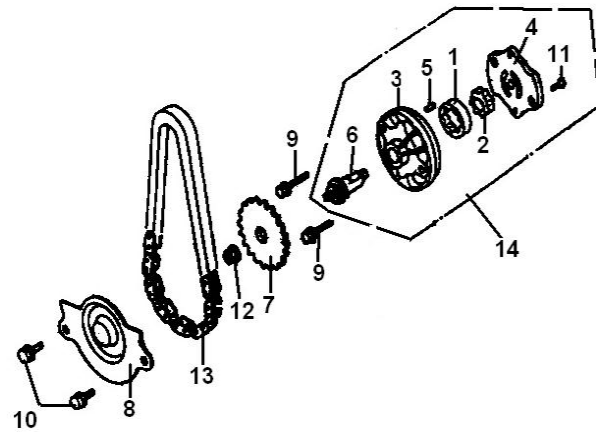


REF. No.	PART No.	DESCRIPTION	Q'TY	PART No.	图号		
1	29553	INPUT SHAFT	1	LH157QMJ-B.18-6	1K218000006	4301	ATV200-B
2	29520	BEARING 6301		GB/T276	B1316301	4302	ATV200-B
3	29554	SHAFT	1	LH157QMJ-B.18-7	1K218000007	4303	ATV200-B
4	29552	GEAR	1	LH157QMJ-B.18-5	1K218000005	4304	ATV200-B
5	29551	BUSH	1	LH157QMJ-B.18-4	1K218000004	4305	ATV200-B
6	10199	BEARING 6203		GB/T276	B1316203	4306	ATV200-B
7	29555	GEAR	1	LH157QMJ-B.18-8	1K218000008	4307	ATV200-B
8	29545	THRUST WASHER	1	LH157QMJ-B.18-10	1K218000010	4308	ATV200-B
9	21218	NEEDLE BEARING 25	2	LH260ATV.17.1.1	8E017010100	4309	ATV200-B
10	29546	GEAR	1	LH157QMJ-B.18-11	1K218000011	4310	ATV200-B
11	21219	THRUST WASHER	3	LH260ATV.17.1-5	8E017010005	4311	ATV200-B
12	10064	SNAP RING		GB/T894.1	B036225	4312	ATV200-B
13	29556	SHAFT	1	LH157QMJ-B.18-9	1K218000009	4313	ATV200-B
14	21221	DOG GEAR	1	LH260ATV.17.1-6	8E017010006	4314	ATV200-B
15	29550	GEAR	1	LH157QMJ-B.18-3	1K218000003	4315	ATV200-B
16	29519	BEARING 6202c3		GB/T276	B1316202	4316	ATV200-B
17	21104	DOWEL PIN	4	LH260ATV.17-17	8E017000017	4317	ATV200-B
18	10078	BOLT M8X30		GB/5787	B01040830	4318	ATV200-B
19	29540	BOLT M8X35	5	LH157QMJ-B.17-3	1K217000003	4319	ATV200-B
20	29506	BOLT M8X55		GB/5787	B01040855	4320	ATV200-B
21	29505	BOLT M8X50		GB/5787	B01040850	4321	ATV200-B
22	29543	GEARCASE,RH	1	LH157QMJ-B.18.2	1K218020000	4322	ATV200-B
23	21201	SEAL 25X47X8	1	LH260ATV.17.6	8E017060000	4323	ATV200-B
24	29523	DIPSTICK	1	139FM.15a-3	1A015a000003	4324	ATV200-B
25	10122	O RING 18X2.65		GB/T3452.1	B121180265	4325	ATV200-B
26	10061	BEARING 6205c3		GB/T276	B1316205	4326	ATV200-B
27	21461	THRUST WASHER	1	LH260ATV.17-20	8E017000020	4327	ATV200-B
28	21464	THRUST BUTTON	1	LH260ATV.17-23	8E017000023	4328	ATV200-B
29	21473	OIL PLATE	1	LH260ATV.17-25	8E017000025	4329	ATV200-B
30	21462	GEAR	1	LH260ATV.17-18	8E017000018	4330	ATV200-B
31	21463	SHAFT REAR OUTPUT	1	LH260ATV.17-19	8E017000019	4331	ATV200-B

32	21465	SHIM 1	1	LH260ATV.17-22	8E017000022	4332	ATV200-B
33	29549	COVER	1	LH157QMJ-B.18-2	1K218000002	4333	ATV200-B
34	21470	WASHER	1	LH260ATV.17-12	8E017000012	4334	ATV200-B
35	21469	DRAIN PLUG	1	LH260ATV.17.5	8E017050000	4335	ATV200-B
36	10060	BOLT M8X28		GB/5787	B01040828	4336	ATV200-B
37	10075	SNAP RING		GB/T896	B036312	4337	ATV200-B
38	29542	SHIFT ROD	1	LH157QMJ-B.18.1	1K218010000	4338	ATV200-B
39	29544	SHIFT FORK	1	LH157QMJ-B.18-1	1K218000001	4339	ATV200-B
40	10062	BEARING 6204c3		GB/T276	B1316204	4340	ATV200-B
41	29548	GEAR HELICAL 46T	1	LH157QMJ-B.18-13	1K218000013	4341	ATV200-B
42	10073	SCREW M6X10		GB/T67	B02040610	4342	ATV200-B
43	21351	BEARING RETAINER PLATE	1	LH260ATV.17-15	8E017000015	4343	ATV200-B
44	21453	SNAP RING	1	LH260ATV.17-14	8E017000014	4344	ATV200-B
45	10074	BEARING 6305c3		GB/T276	B1316305	4345	ATV200-B
46	29547	GEAR		LH157QMJ-B.18-12	1K218000012	4346	ATV200-B
47	21344	GEAR INDICATOR SWITCH	1	LH260ATV.19.10	8E019100000	4347	ATV200-B
48	10071	WASHER 4		GB/T97.1-4	B025304	4348	ATV200-B
49	10007	SCREW M4X10		GB/T818	B02020410	4349	ATV200-B
50	10123	O RING 14X2.65		GB/T3452.1	B121140265	4350	ATV200-B
51	21338	WASHER	1	LH260ATV.17-9	8E017000019	4351	ATV200-B
52	10069	SNAP RING		GB/T894.1	B036219	4352	ATV200-B
53	21336	BELLCRANK	1	LH260ATV.17-8	8E017000008	4353	ATV200-B
54	10068	WASHER 8		GB/T97.1-8	B025308	4354	ATV200-B
55	10067	NUT M8		GB/T6184-M8	B015308	4355	ATV200-B
56	29530	CLIP	1	1E52FM030009	1E003000900	4356	ATV200-B
57	21340	VENT TUBE FITTING	1	LH260ATV.17.2-1	8E017020001	4357	ATV200-B
58	21339	VENT TUBE	1	LH260ATV.17-7	8E017000007	4358	ATV200-B

37.OIL PUMP COMP

机油泵



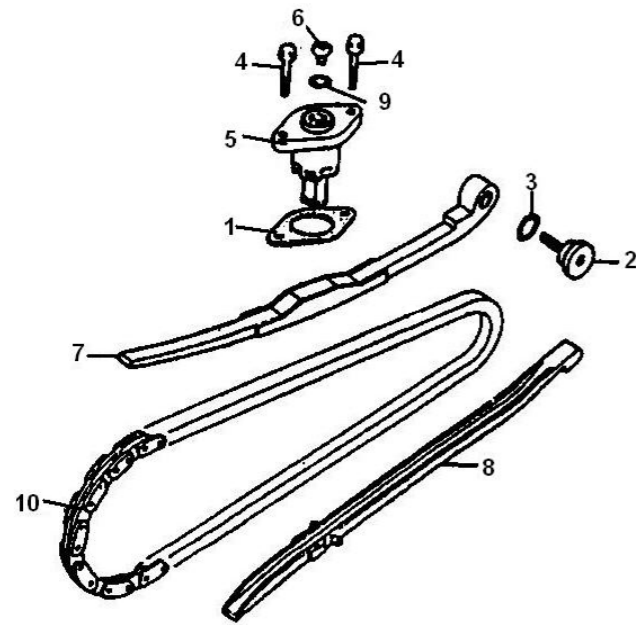
42

REF. No.	PART No.	DESCRIPTION	QTY	PART No.	图号		
1	1309289	ROTOR OIL PUMP OUTER		157FM2.19-1	1K019000001	4401	ATV200-B
2	1309291	ROTOR OIL PUMP INTER		157FM2.19-2	1K019000002	4402	ATV200-B
3	1309293	BODY OIL PUMP		157FM2.19-3	1K019000003	4403	ATV200-B
4	1309294	PLATE OIL PUMP	1	153FM.19-4	1H019000004	4404	ATV200-B
5	1309295	PIN C DOWEL 4X6.5	1	153FM.19-5	1H019000005	4405	ATV200-B
6	1309296	SHAFT OIL PUMP	1	153FM.19-6	1H019000006	4406	ATV200-B
7	2531052	SPROCKET OIL PUMP DRIVEN	1	153FM.19-7	1H019000007	4407	ATV200-B
8	2531053	SEPARTOR OIL	1	153FM.19-8	1H019000008	4408	ATV200-B
9	10187	BOLT FLANGE 6X25		GB/T5787	B01040625	4409	ATV200-B
10	10140	BOLT FLANGE 6X12		GB/T5787	B01040612	4410	ATV200-B
11	29515	SCREW PAN 3X10		GB/T818-86	B02020310	4411	ATV200-B
12	10103	NUT FLANGE M6		GB/T6177-86	B015206	4412	ATV200-B
13	2531515	CHAIN OIL PUMP	1	153FM.19.1	1H019010000	4413	ATV200-B
14	1309298	OIL PUMP COMP	1	157FM2.19	1K019000000	4414	ATV200-B

43

38.CHAIN CAM COMP

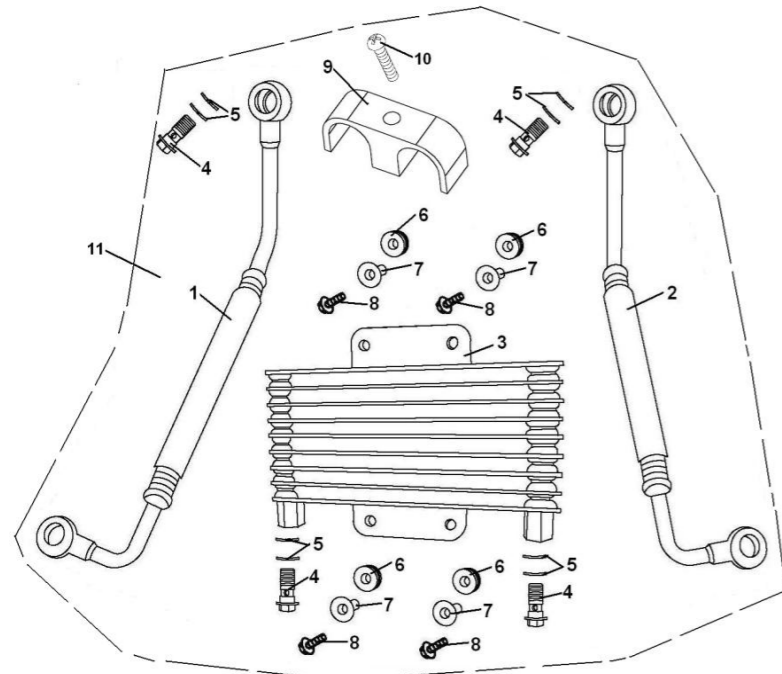
正时链条组合



REF. No.	PART No.	DESCRIPTION	Q'TY	PART No.	图号		
1	2531535	GASKET TENSIONER LIFTER	1	153FM.21-1	1H021000001	4501	ATV200-B
2	4080092	PIVOT CAM CHAON TENSIONER	1	153FM.21-2	1H021000002	4502	ATV200-B
3	2531560	O-RING 15.2X1.5	1	153FM.21-3	1H021000003	4503	ATV200-B
4	29513	BOLT FLANGE 6X22		GB/T5787	B01040622	4504	ATV200-B
5	2531518	LIFTER ASSY TENSIONER	1	153FM.21.1	1H021010000	4505	ATV200-B
6	4080097	SCREW PAN	1	153FM.21.1-1	1H021010001	4506	ATV200-B
7	2531517	TENSIONER CAM CHAIN COMP	1	153FM.21.2	1H021020000	4507	ATV200-B
8	2531519	GUIDE COMP CAM CHAIN	1	153FM.21.4	1H021040000	4508	ATV200-B
9	29512	O-RING 10X1.8		GB/T3452.1-82	B121100180	4509	ATV200-B
10	2531606	CHAIN CAM	1	153FM.21.3	1H021030000	4510	ATV200-B

40.RADIATOR

油冷部件 (200cc)

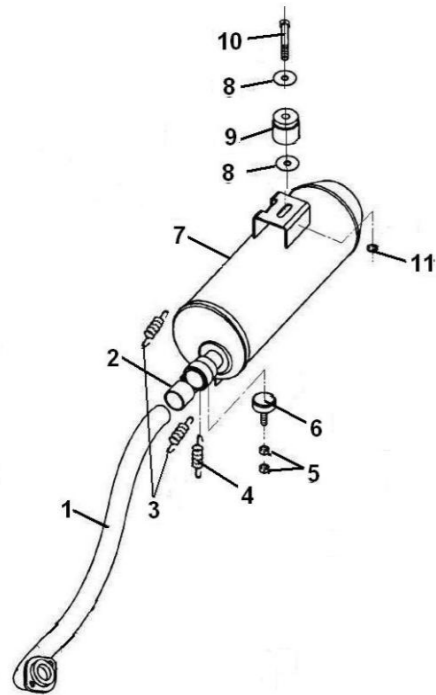


44

REF. No.	No.	DESCRIPTION	Q'TY	PART No.	图号		
1	29610	LEFT OIL HOSE	1	LH200ATV.16A.2	8J016A020000	4601	ATV200-B
2	29609	RIGHT OIL HOSE	1	LH200ATV.16A.1	8J016A010000	4602	ATV200-B
3	29611	OIL RADIATOR	1	LH200ATV.16A.3	8J016A030000	4603	ATV200-B
4	29612	DRAIN PLUG	4	LH200ATV.16A-1	8J016A000001	4604	ATV200-B
5	29613	WASHER	8	LH200ATV.16A-2	8J016A000002	4605	ATV200-B
6	29614	CUSHION	4	LH200ATV.16A-3	8J016A000003	4606	ATV200-B
7	29615	SPACER	4	LH200ATV.16A-4	8J016A000004	4607	ATV200-B
8	10140	BOLT M6X12		GB/T5787	B01040612	4608	ATV200-B
9	29616	CLAMP,OIL HOSE		LH200ATV.16A-5	8J016A000005	4609	ATV200-B
10	29517	SCREW M6X30		GB/T818		4610	ATV200-B
11	29608	RADIATOR	1	LH200ATV.16A	8J016A000000	4611	ATV200-B

45

40 EXHAUST MUI 消音器组合



REF. No.	No.	DESCRIPTION	Q'TY	PART No.	图号		
1	29601	EXHAUST PIPE	1	LH200ATV.14.2	8J014020000	4701	ATV200-B
2	23411	MUFFLER JOINT	1	170M.19.4	1L019040000	4702	ATV200-B
3	29648	SPRING	2	LH260ATV.15-3	8E015000003	4703	ATV200-B
4	29602	SPRING	1	LH200ATV.14-1	8J014000001	4704	ATV200-B
5	10099	NUT M8		GB/T6170-M8	B015808	4705	ATV200-B
6	23410	MUFFLER SUPPORT BOTTOM	1	LH260ATV.15.3	8E015030000	4706	ATV200-B
7	29599	MUFFLER (EUROPE)	1	LH200ATV.14.1	8J014010000	4707	ATV200-B
7	29600	MUFFLER (USA)	1	LH200ATV.14.1a	8J01401a000	4708	ATV200-B
8	10117	WASHER PLATE 10		GB/T96-10	B025210	4709	ATV200-B
9	23415	MUFFLER SUPPORT	1	LH260ATV.15.2	8E015020000	4710	ATV200-B
10	10120	BOLT FLANGE M10X1.25X62		GB/T16674.1-M10X1.25	B01041062A	4711	ATV200-B
11	10015	NUT M10X1.25		GB/T6187 -M10X1.25	B015510A	4712	ATV200-B